

southco®

PROPRIETARY ITEM - EXCEPT FOR USES EXPRESSLY GRANTED IN WRITING INFORMATION DISCLOSED HEREON IS CONFIDENTIAL AND ALL RIGHTS PATENT AND OTHERWISE ARE RESERVED BY SOUTHCO, INC.

No. 82 SHIELDED SINGLE HOLE RECEPTACLE

DATE	DRAWN	CHKD	SCALE	DRAWING NUMBER
11-13-91	GPG		2:1	J-82-35-315-55

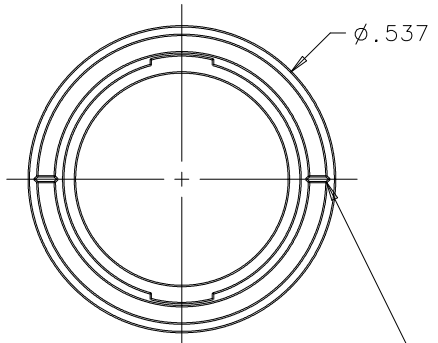
REV	DATE	DRAWN/CHKD	DESCRIPTION	ITEM	PART NUMBER	MATERIAL	FINISH
G	08JAN2004	VNI/RLR	PRN: P2004-0029	ASSEMBLY	82-35-315-55	-	-
H	12APR2005	BRP/RLR	PRN: 2005-0589	PLATE	-	CASE HARDENED STEEL	ZINC PLATE, CHROMATE PLUS SEALER
I	19MAY2014	CMS/JCG	PRN: P2014-0973	HOUSING	-	CASE HARDENED STEEL	ZINC PLATE, CHROMATE PLUS SEALER
				SPRING	-	STAINLESS STEEL	ZINC FLAKE COATING
				RETAINING CAP	-	ALUMINUM	NATURAL

INCHES

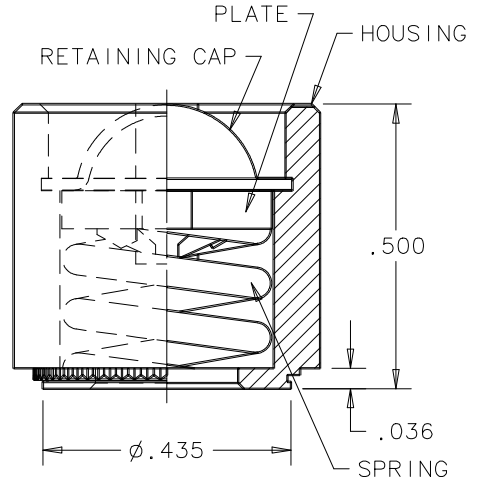
ALL DIMENSIONS WITHOUT TOLERANCES ARE FOR REFERENCE ONLY.

THIRD ANGLE PROJECTION

A PAPER SIZE



TWO ORIENTATION MARKS - WING OR SLOT OF STUD WILL BE 90° FROM THESE MARKS WHEN FASTENED



RECEPTACLE ASSEMBLY
SCALE 3:1

INSTALLATION INSTRUCTIONS:

1. DRILL OR PUNCH HOLE IN INNER PANEL.
2. PRESS RECEPTACLE INTO HOLE UNTIL THE SHOULDER ON THE RECEPTACLE BOTTOMS OUT ON THE PANEL'S SURFACE.

