

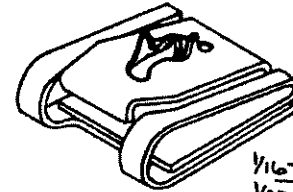
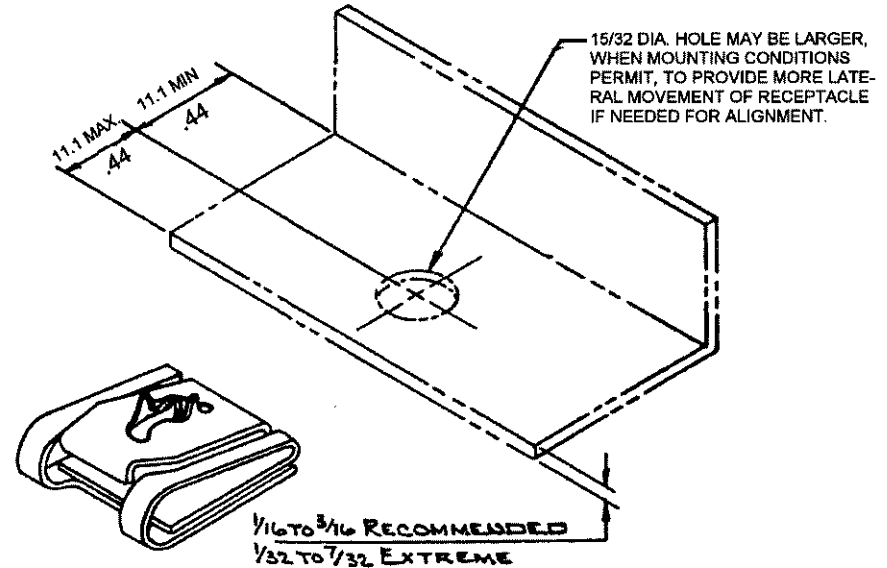
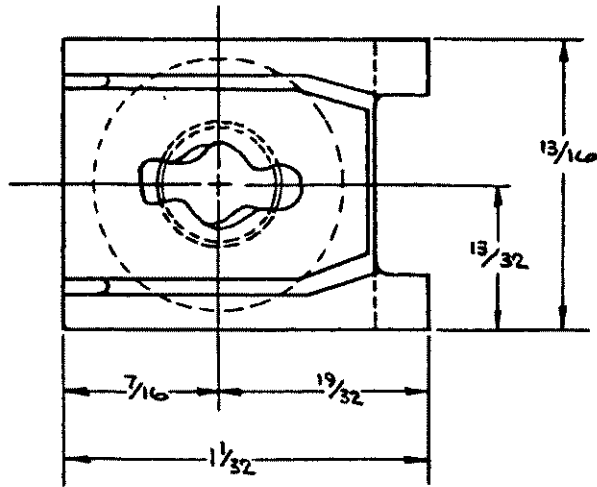


SOUTHCO No.85
"U" TYPE CLIP-ON RECEPTACLE

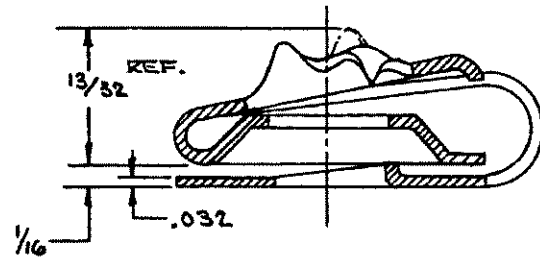
DATE	DRAWN	CHKD	SCALE	DRAWING NUMBER
6-3-68	J.G.K.	ESK	N.T.S.	J-85-55

REV. LET.	DATE	BY-CHKD	REVISIONS	PART No.	MATERIAL	FINISH
E	10AUG93	JGK	REDRAWN FOR CLARITY, SEE RECORD PRINT.	85-47-101-20	STAINLESS STEEL	PASSIVATED
				85-47-101-58	" "	NOTE "A"

NOTE "A": PASSIVATED PLUS BLACK ORGANIC COATING.

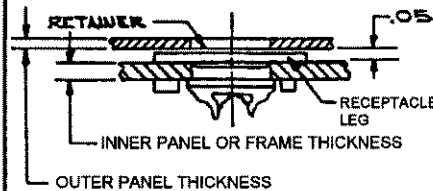


1/16 TO 3/16 RECOMMENDED
1/32 TO 7/32 EXTREME



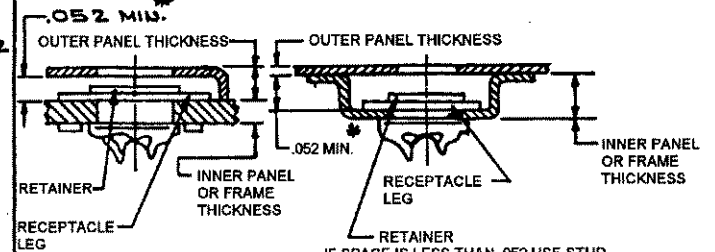
TO SELECT PROPER STUD LENGTH

TYPE "A" APPLICATION



TO SELECT PROPER STUD FOR APPLICATIONS OF THIS TYPE, ADD THICKNESS OF OUTER PANEL TO THICKNESS OF INNER PANEL, PLUS A CONSTANT OF .037 THE TOTAL EQUALS THE GRIP OF STUD REQUIRED.

* TYPE "B" APPLICATION



TO SELECT PROPER STUD FOR APPLICATIONS OF THIS TYPE, ADD THICKNESS OF OUTER PANEL TO THICKNESS OF INNER PANEL, MINUS A CONSTANT OF .015. TOTAL EQUALS THE GRIP OF THE STUD REQUIRED.

IF SPACE IS LESS THAN .052 USE STUD SELECTION FOR TYPE "A" APPLICATION