



NUMBER 97 KEEPER  
( 60 SERIES )

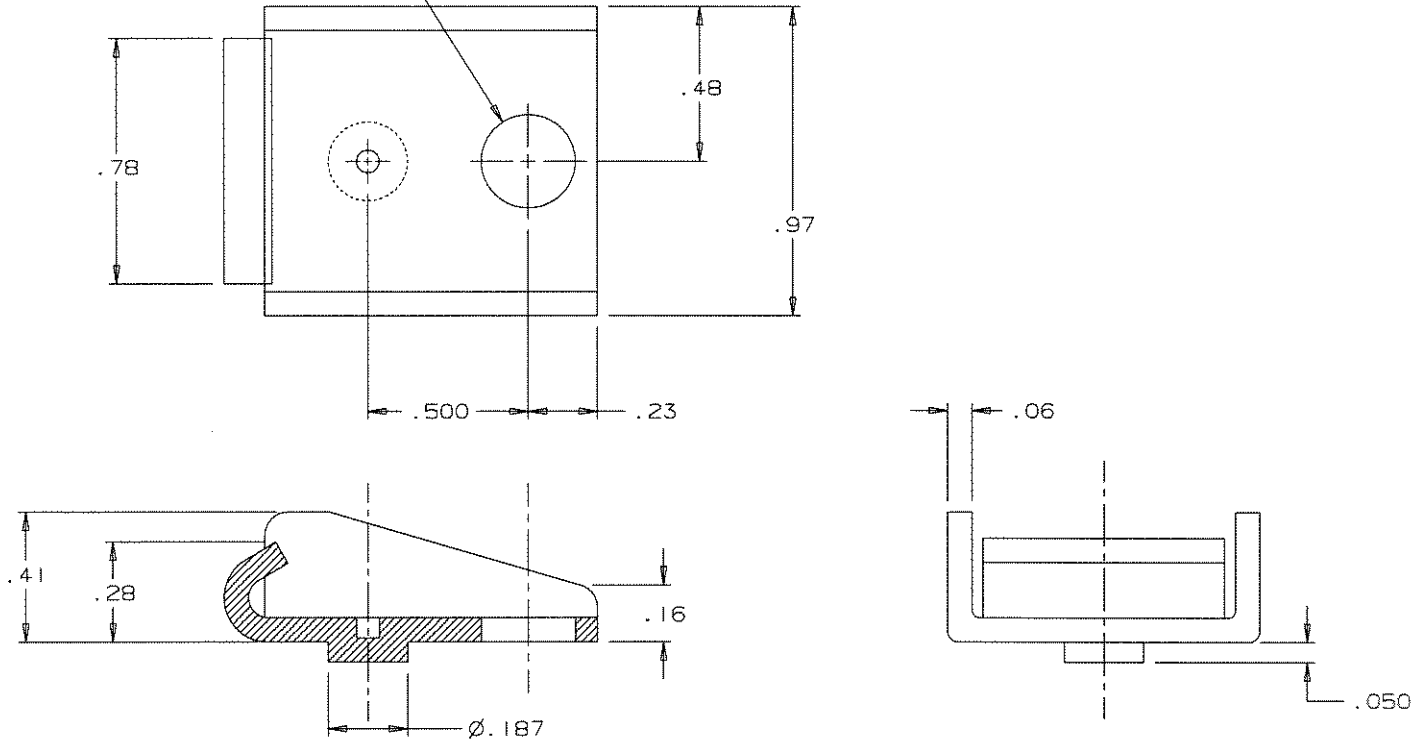
DATE	DRAWN	CHKD	SCALE	DRAWING NUMBER
09JUL99	JGK		N.T.S.	J-97-67-104

REV.	DATE	BY-CHKD	REVISIONS	PART NO.	MATERIAL	FINISH	HEAT TREAT
				97-67-104-11	1008-1010 STL.	SEE NOTE A	CASE HARDENED
				97-67-104-15	1008-1010 STL.	SEE NOTE B	CASE HARDENED
				97-67-104-24	TY 302 STAINLESS STEEL	PASSIVATED	NONE

NOTE "A": ZINC PLATE, PLUS BRIGHT CHROMATE DIP.

NOTE "B": BLACK POWDER COAT.

Ø.207 (1 HOLE)  
.200 MIN. AFTER  
POWDER COAT



FORMAT A 3/88

PROPRIETARY ITEM - EXCEPT FOR USES EXPRESSLY GRANTED IN WRITING  
INFORMATION DISCLOSED HEREON IS CONFIDENTIAL AND ALL RIGHTS PATENT  
AND OTHERWISE ARE RESERVED BY SOUTHCO, INC.

ALL DIMENSIONS ARE IN INCHES  
ALL DIMENSIONS WITHOUT TOLERANCES ARE FOR REFERENCE ONLY.

DRAWING NUMBER  
J-97-67-104