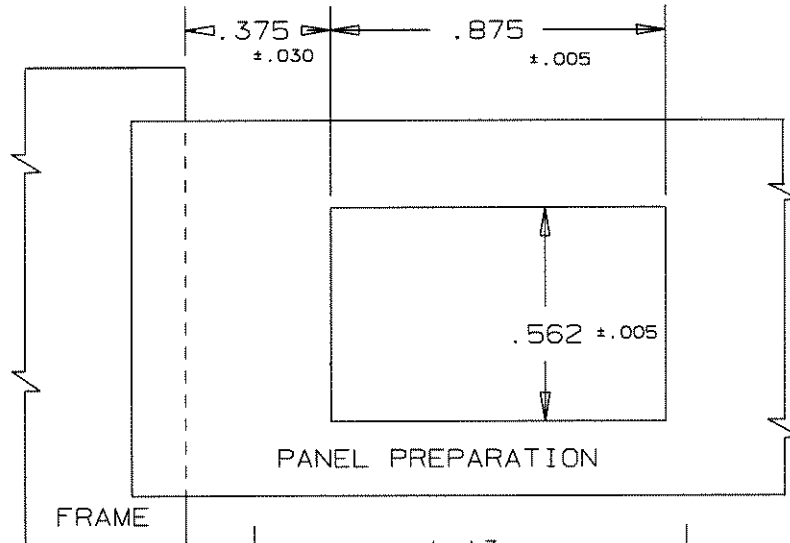




A3 30 SERIES SLIDE

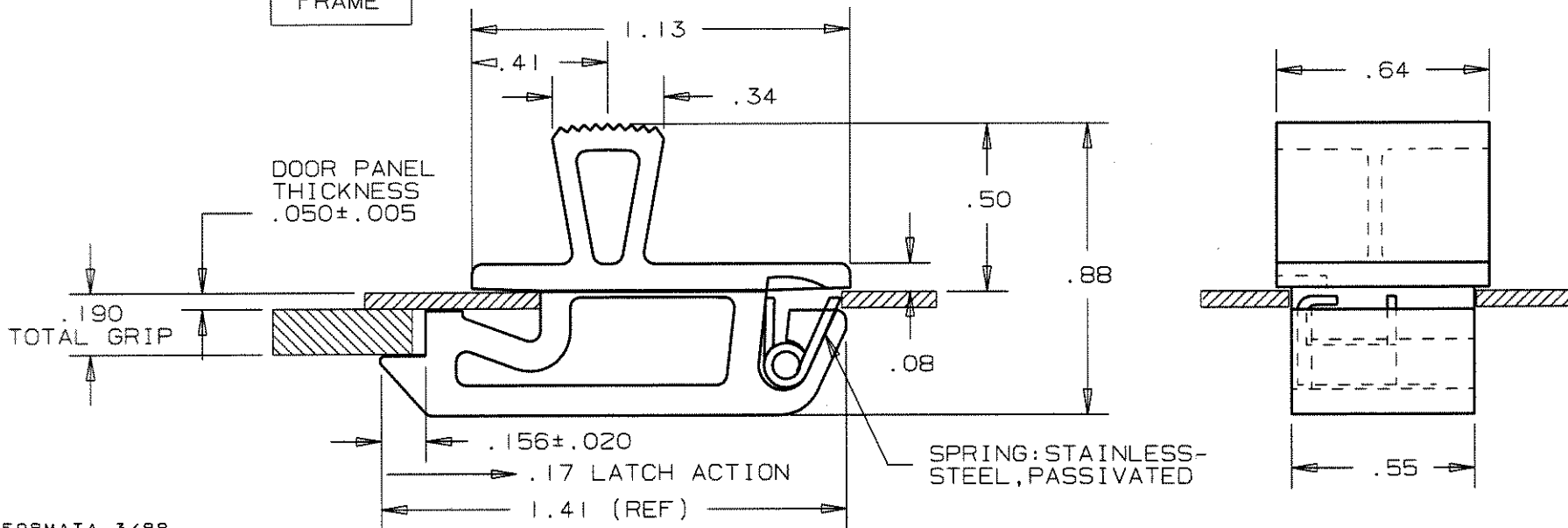
DATE	DRAWN	CHKD	SCALE	DRAWING NUMBER
11-30-88	JCG		2:1	J-A3-30-519

REV.	DATE	BY-CHKD	REVISIONS	ASSEMBLY NO.	MATERIAL	FINISH
A	7-5-91	CRW	ADDED NOSE LENGTH AND LATCH TRAVEL DIMS.	A3-30-519-12	ABS	BLACK
B	1-2-91	JDS	PRN: A3-51			
C	12 FEB. 93	KPL	PRN: S-1-03			
D	18 JUN 93	JGK	DIM. .34 WAS .33, AND ADDED DIM. TOL. NOTE.			
E	24 MAR 98	JGK	PRN: A3-137			



INSTALLATION

SLIDE THE FRONT END OF THE LATCH INTO THE PREPARED HOLE THEN SNAP THE BACK END DOWN INTO POSITION



FORMATA 3/88

ALL DIMENSIONS ARE IN INCHES.

ALL DIMENSIONS WITHOUT TOLERANCES ARE FOR REFERENCE ONLY.

THIRD ANGLE PROJECTION.

DRAWING NUMBER

J-A3-30-519

PROPRIETARY ITEM - EXCEPT FOR USES EXPRESSLY GRANTED IN WRITING INFORMATION DISCLOSED HEREON IS CONFIDENTIAL AND ALL RIGHTS PATENT AND OTHERWISE ARE RESERVED BY SOUTHCO, INC.