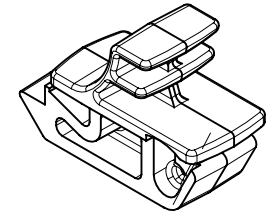
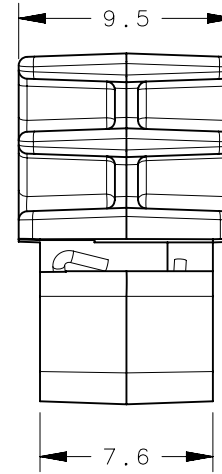
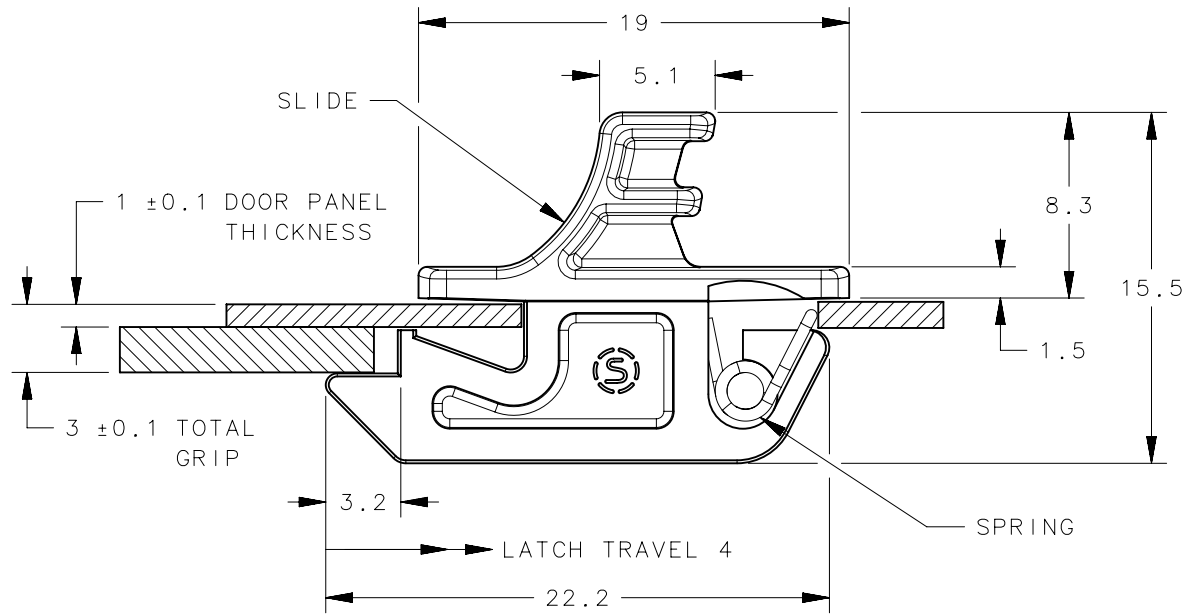
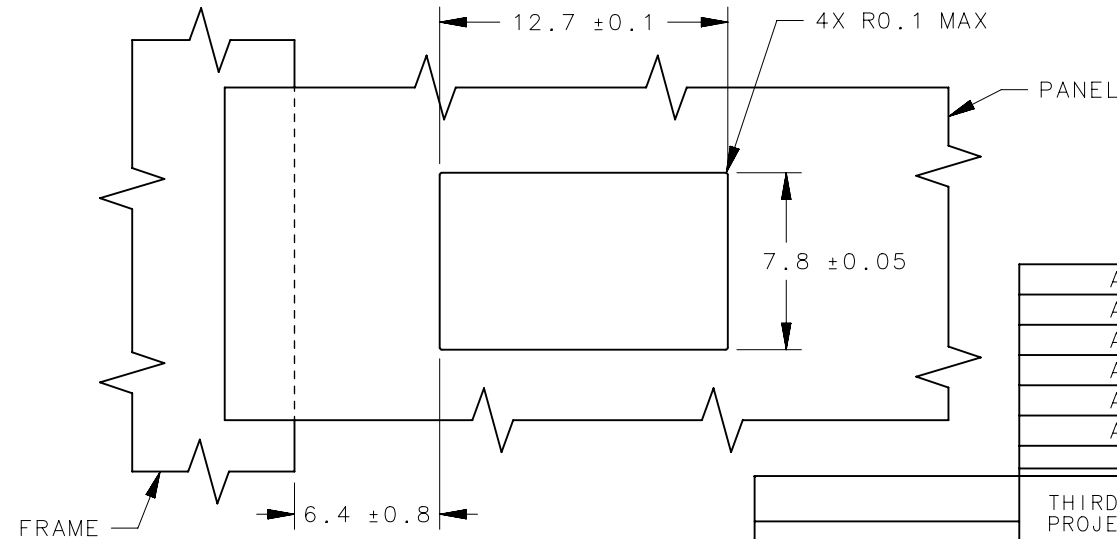


REVISION HISTORY			
REV	DATE	BY	DESCRIPTION
1	14FEB2020	RKS/VK	PRN: P2020-0297



SCALE 3:2



PANEL PREPARATION
PREPARE BURR FREE HOLE

NOTES:

1. MATERIAL AND FINISH:
SLIDE: SEE TABLE
SPRING: 302 STAINLESS STEEL, PASSIVATED.
2. INSTALLATION:
SLIDE THE FRONT END OF THE LATCH INTO THE PREPARED HOLE, THEN SNAP THE BACK END DOWN INTO POSITION.

A3-70-412-25	BLACK	UL94 V-0 PC/ABS
A3-70-412-27	SLATE BLUE	UL94 V-0 PC/ABS
A3-70-412-28	PORT RED	UL94 V-0 PC/ABS
A3-70-412-30	GREEN	UL94 V-0 PC/ABS
A3-70-412-33	SAFETY YELLOW	UL94 V-0 PC/ABS
A3-70-412-35	HUMAN FACTORS GREEN	UL94 V-0 PC/ABS
PART NUMBER	COLOR	SLIDE MATERIAL

THIRD ANGLE PROJECTION	
MILLIMETERS [IN]	
TOLERANCES UNLESS OTHERWISE NOTED	
ALL DIMENSIONS WITHOUT TOLERANCES ARE FOR REFERENCE ONLY	
PROPRIETARY ITEM	
EXCEPT FOR USES EXPRESSLY GRANTED IN WRITING, INFORMATION DISCLOSED HEREON IS CONFIDENTIAL AND ALL RIGHTS, PATENT AND OTHERWISE, ARE RESERVED BY SOUTHCO, INC.	
PER ASME Y14.5M-1994	

southco [®] CONNECT • CREATE • INNOVATE			
DESCRIPTION A3-70 SERIES SLIDE LATCH (ERGO TAB)			
SIZE A4	SYSTEM NX	DWG NO. J-A3-70-412	
DRAWN BY DLH	DATE 02OCT2002	SCALE 3:1	SHEET 1 OF 1