

AV Series Dynamic Mount

Tilt

• Intuitive grab and move operation enhances the user experience

No knobs or tools required to reposition the display

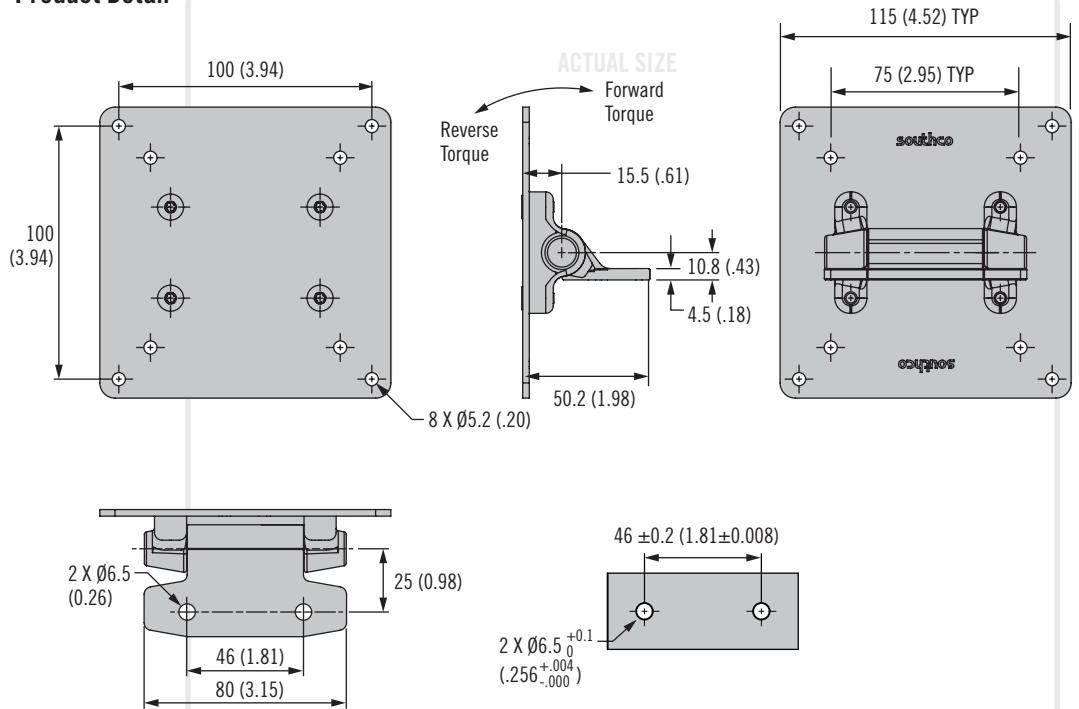
Robust positioning in compact package

Holds securely, even in applications with dynamic loading

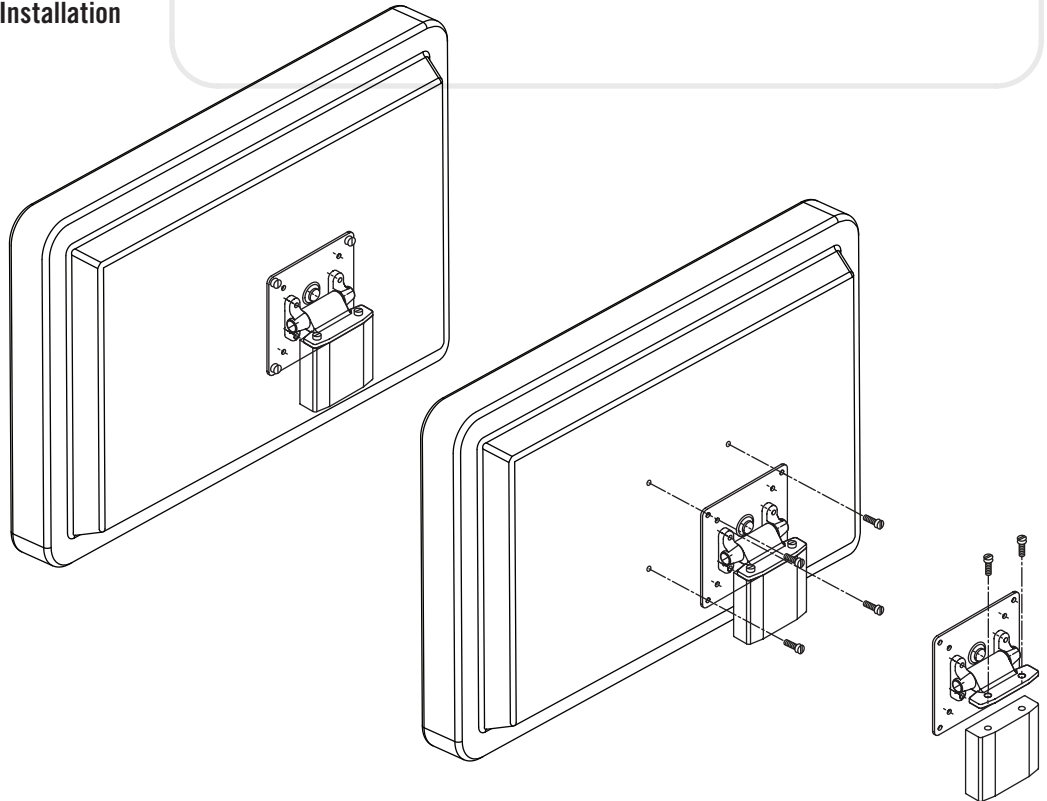
• Consistent repeatable operation

• Fully enclosed for optimum cleanability

Product Detail



Installation



Installation

1. Determine desired mounting location
2. Attach using M6 screws as shown

Caution: Because of the wide variety of available materials, it is the installer's responsibility to ensure that the materials, and structure to which the tilt mount is fastened will provide adequate support.

3. Attach display using manufacturer's recommended hardware



VESA® MIS-D, 100, C

VESA and VESA MOUNTING COMPLIANT are registered trademarks of Video Electronics Standards Association

Other options available. For complete details on variety, part numbers, installation and specification, go to



www.southco.com/AV

Dimensions in millimeters (inch) unless otherwise stated

AV Series Dynamic Mount

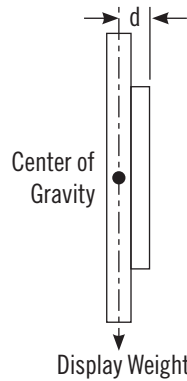
Tilt



Specification and Selection

Step 1

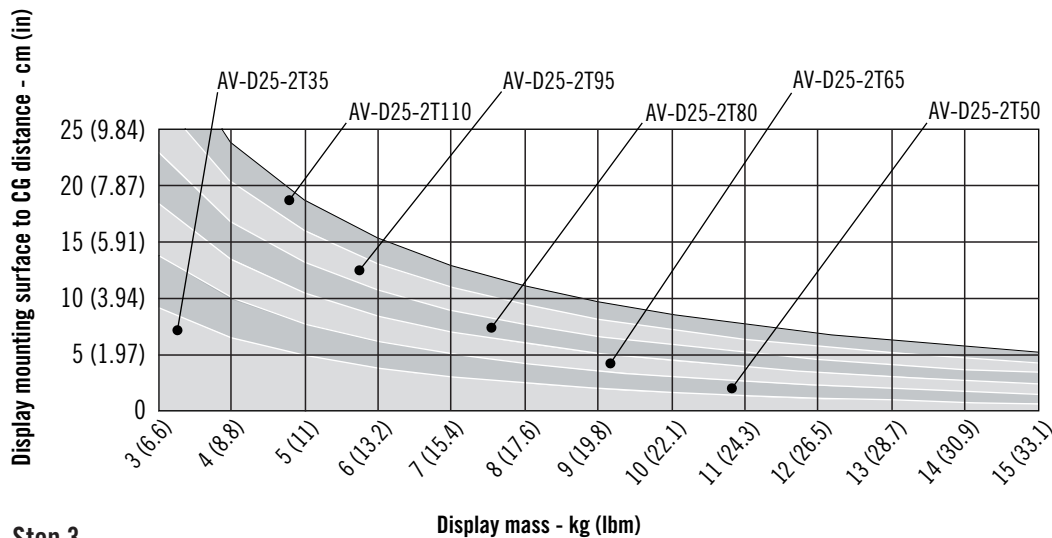
Determine display weight and distance (d) from mounting surface to center of gravity.



Step 2

Use chart below to select part number.

AV-D25 T-Series Model Selection Guide



Step 3

Complete part number by selecting color options below.

Part Numbers		FORWARD TORQUE N-m (in-lb)	REVERSE TORQUE N-m (in-lb)
BLACK	WHITE		
AV-D25-2T35F-50	AV-D25-2T35F-76	3.9 (35.0)	3.0 (26.7)
AV-D25-2T50F-50	AV-D25-2T50F-76	5.7 (50.0)	4.0 (35.7)
AV-D25-2T65F-50	AV-D25-2T65F-76	7.3 (65.0)	5.4 (47.5)
AV-D25-2T80F-50	AV-D25-2T80F-76	9.0 (80.0)	6.7 (59.4)
AV-D25-2T95F-50	AV-D25-2T95F-76	10.7 (95.0)	7.8 (68.9)
AV-D25-2T110F-50	AV-D25-2T110F-76	12.4 (110.0)	9.0 (79.8)
AV-D25-2T35R-50	AV-D25-2T35R-76	3.0 (26.7)	3.9 (35.0)
AV-D25-2T50R-50	AV-D25-2T50R-76	4.0 (35.7)	5.7 (50.0)
AV-D25-2T65R-50	AV-D25-2T65R-76	5.4 (47.5)	7.3 (65.0)
AV-D25-2T80R-50	AV-D25-2T80R-76	6.7 (59.4)	9.0 (80.0)
AV-D25-2T95R-50	AV-D25-2T95R-76	7.8 (68.9)	10.7 (95.0)
AV-D25-2T110R-50	AV-D25-2T110R-76	9.0 (79.8)	12.4 (110.0)

- Smooth operation enhances the user experience
- Adjust the display without knobs or tools
- Holds securely

Material and Finish

Steel, Aluminum alloy, powder coated

Performance Details

Cycle performance: 20,000 cycles within $\pm 20\%$ of static torque specification

Max. dynamic working load:

100 N (22.5 lb)

Average ultimate load: 1065 N (240 lb)

Part Number

See table



AV Series Dynamic Mount

Tilt

- Intuitive grab and move operation enhances the user experience**

No knobs or tools required to reposition the display

Precise control of operating effort ensures ideal “feel”

Holds securely, even in applications with dynamic loading

- Consistent repeatable operation**

- Fully enclosed for optimum cleanability**

Installation

1. Determine desired mounting location
2. Attach using M5 X 0.8 screws as shown

Caution: Because of the wide variety of available wall materials, it is the installer’s responsibility to ensure that the materials, and structure to which the tilt mount is fastened will provide adequate support.

3. Attach display using manufacturer’s recommended hardware



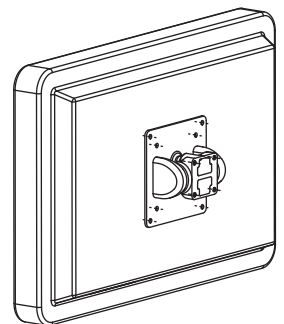
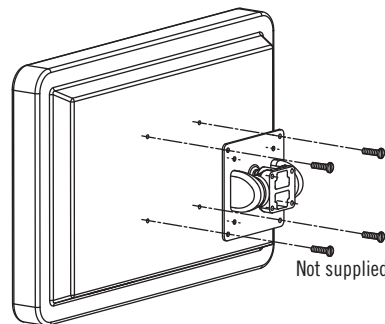
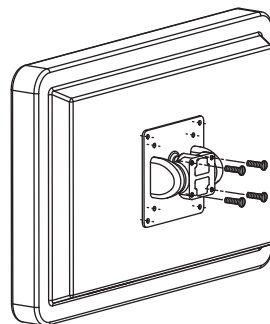
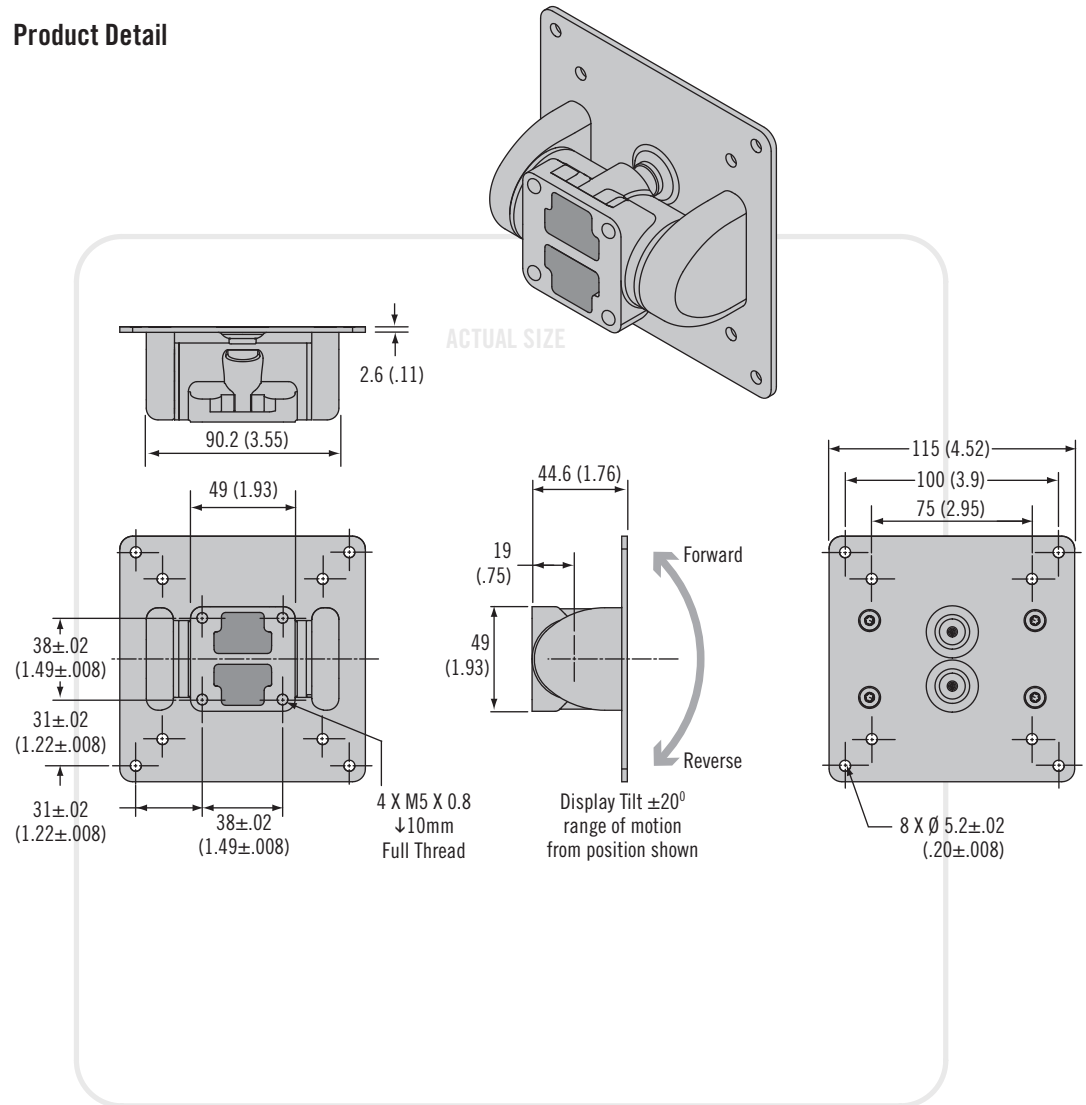
VESA® MIS-D, 100, C

VESA and VESA MOUNTING COMPLIANT are registered trademarks of Video Electronics Standards Association

Other options available. For complete details on variety, part numbers, installation and specification, go to

INFO CLIC www.southco.com/AV

Product Detail



Dimensions in millimeters (inch) unless otherwise stated

AV Series Dynamic Mount

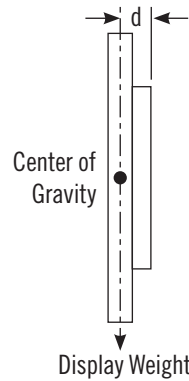
Tilt



Specification and Selection

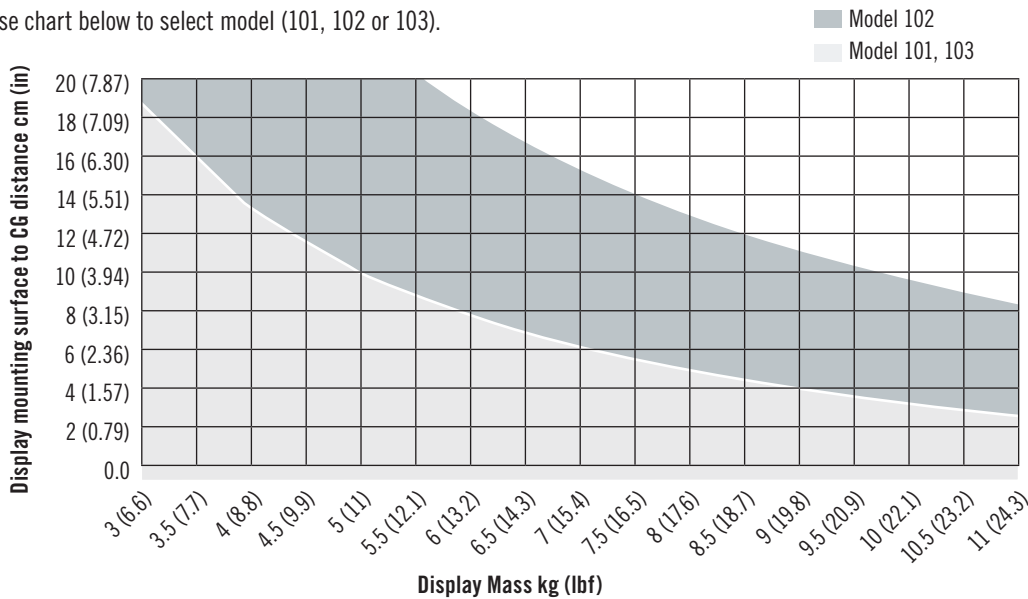
Step 1

Determine display weight and distance (d) from mounting surface to center of gravity.



Step 2

Use chart below to select model (101, 102 or 103).



Step 3

Complete part number by selecting model and color options below.

Model S	Tilt Torque N•m (in•lbf)	
	Reverse	Forward
101	7.9 (70)	2.2 (19.5)
102	15.4 (136)	2.26 (20)
103	8.6 (76)	6 (53)

F	Color
50	Black
76	White

AV - D30 - 5T **S - **F****

For complete installation and operation instructions please consult the product manual included in every package or available to download from www.southco.com

- Smooth operation enhances the user experience
- Adjust the display without knobs or tools
- Holds securely

Material and Finish

Aluminum alloy, powder coated

Performance Details

Cycle performance: 20,000 cycles within $\pm 20\%$ of static torque specification

Maximum dynamic working load:
 Model 101 and 103: 70 N (15.7 lbf)
 Model 102: 100 N (22.5 lbf)
 Average ultimate load: 1845 N (414.8 lbf)

Part Number

See table

Part Number Example

AV-D30-5T101-50 = Dynamic tilt mount, Model 101, black