



# D5 DZUS® Panel Line Quarter-turn Fasteners Studs

DZUS® Panel line features captive, flare-in stud assemblies and continuous receptacle strip.

- Captive to outer panel
- Predictable clamping force
- High vibration resistance
- Visual latched indication

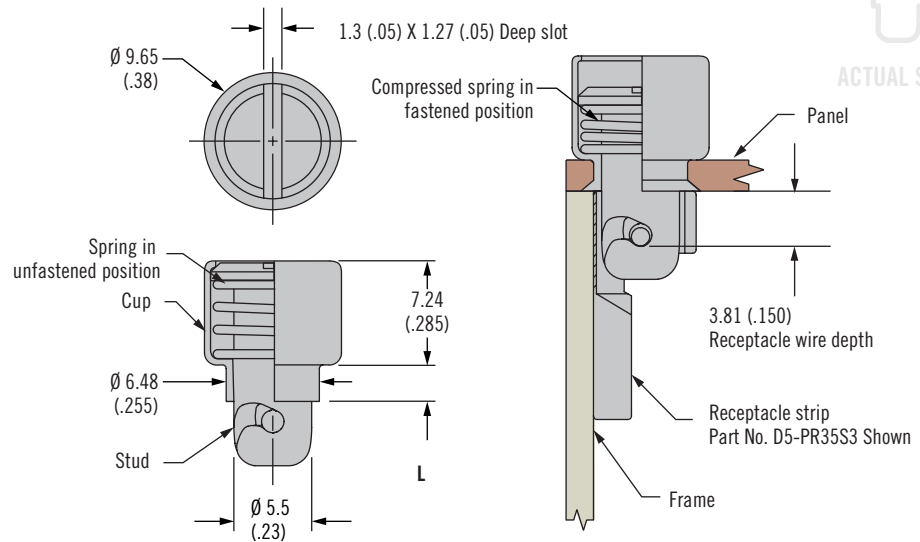
## Material and Finish

Steel, zinc plated

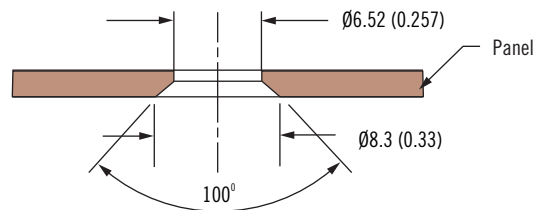
## Performance Details

Rated tensile and shear:  
890 N (200 lbs.) when used with  
DZUS® receptacles

## Stud assembly



## Panel Preparation



1. Select receptacle type
2. D5-PR35S3 (angle) or D5-PR35-1S3 (flat) receptacle types. Determine outer panel thickness and use column A. Select from column C for assemblies.

OR


D5-PB35 (Single hole wire form) receptacle type. Determine outer panel thickness and use column A, then calculate total material thickness (TMT) required as indicated in column B. Select from column C for assemblies.

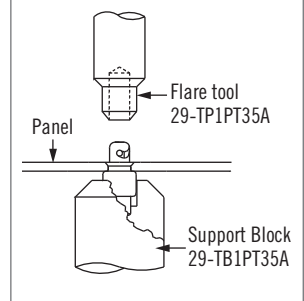
## Panel line stud assembly options

A		Cup flange length L	B		C
Outer panel dimensions			TMT Range for: D5-PB35		
A Min.	A Max.		Min.	Max.	Stud assembly
1.27 (.050)	1.50 (.059)	1.78 (.070)	3.81 (.150)	4.04 (.159)	D5-PFSC35-37A-190
1.52 (.060)	1.75 (.069)	2.03 (.080)	4.06 (.160)	4.29 (.169)	D5-PFSC35-38A-190
1.77 (.070)	2.01 (.079)	2.29 (.090)	4.32 (.170)	4.55 (.179)	D5-PFSC35-39A-190
2.03 (.080)	2.26 (.089)	2.54 (.100)	4.57 (.180)	4.80 (.189)	D5-PFSC35-40A-190
2.29 (.090)	2.51 (.099)	2.80 (.110)	4.83 (.190)	5.05 (.199)	D5-PFSC35-41A-190
2.54 (.100)	2.77 (.109)	3.05 (.120)	5.08 (.200)	5.31 (.209)	D5-PFSC35-42A-190
2.79 (.110)	3.02 (.119)	3.30 (.130)	5.33 (.210)	5.56 (.219)	D5-PFSC35-43A-190
3.05 (.120)	3.28 (.129)	3.56 (.140)	5.59 (.220)	5.82 (.229)	D5-PFSC35-44A-190

## Installation Tools

### Panel installation

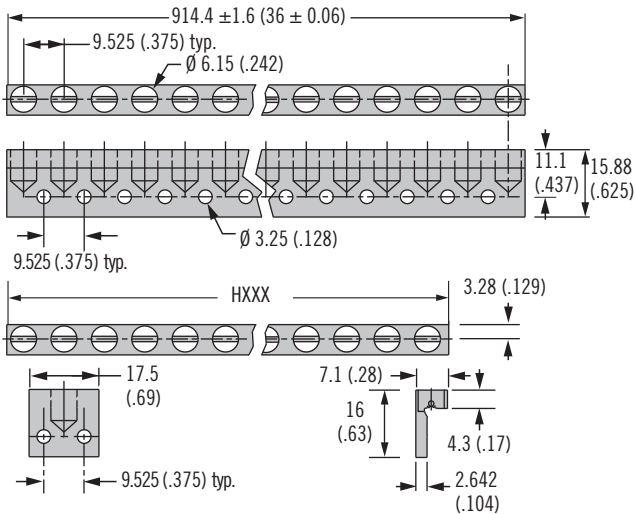
Flare tool	Support block
	
29-TP1PT35A	29-TB1PT35A



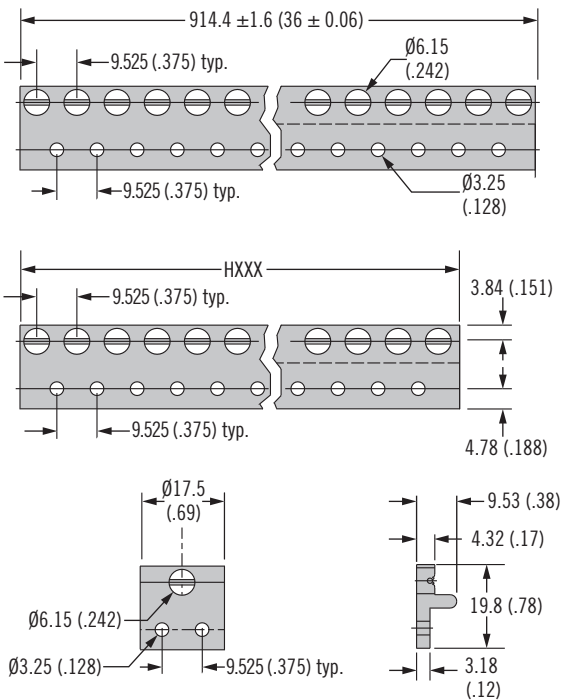
# D5 DZUS® Panel Line Quarter-turn Fasteners Receptacles



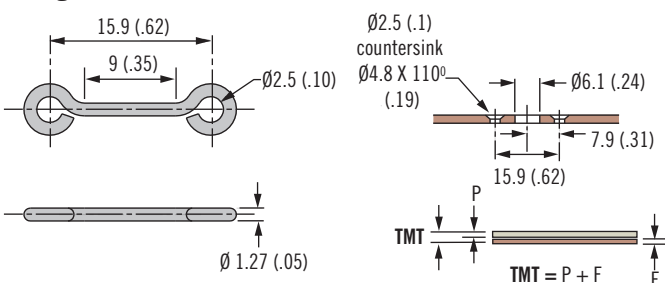
## Angle



## Flat



## Single hole wire form



Angle Receptacle		Stud selection column
Standard length D5-PR35S3		A
Custom length D5-PR35HXXX		
Single hole D5-PRB35		

Flat Receptacle		Stud selection column
Standard length D5-PR35-IS3		A
Custom length D5-PR35-1HXXX		
Single hole D5-PRC35		

Single hole wire form receptacle		Stud selection column
D5-PB35		B

## Material and Finish

Right angle, flat aluminum and stainless steel  
Single hole wire form steel zinc plated

## Select Receptacle Profile

1. Right angle or flat
2. Single hole, standard length (96 holes) or custom length
3. If custom length HXXX (2 holes Min. - 319 holes Max.) determine number of useable receptacle holes.  
Total length = No of useable holes multiplied by 9.525 (.375) minus 1.525 (.06)

Example:

319 useable holes  
= 319 x 9.525 (.375)  
- 1.525 (.06) = 3037 (119.56)  
Replace HXXX with H319

\* Longer standard lengths available.  
Contact Southco for details.

82
85
D8
D9
D1
D4
<b>D5</b>
D7
NY