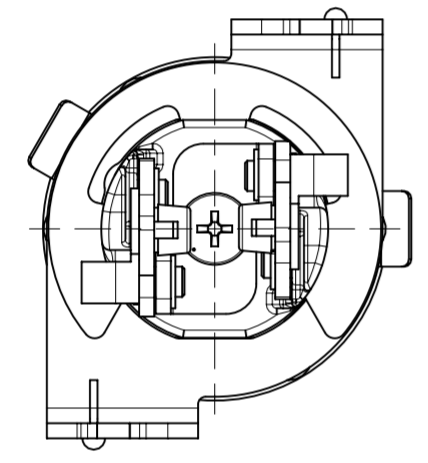
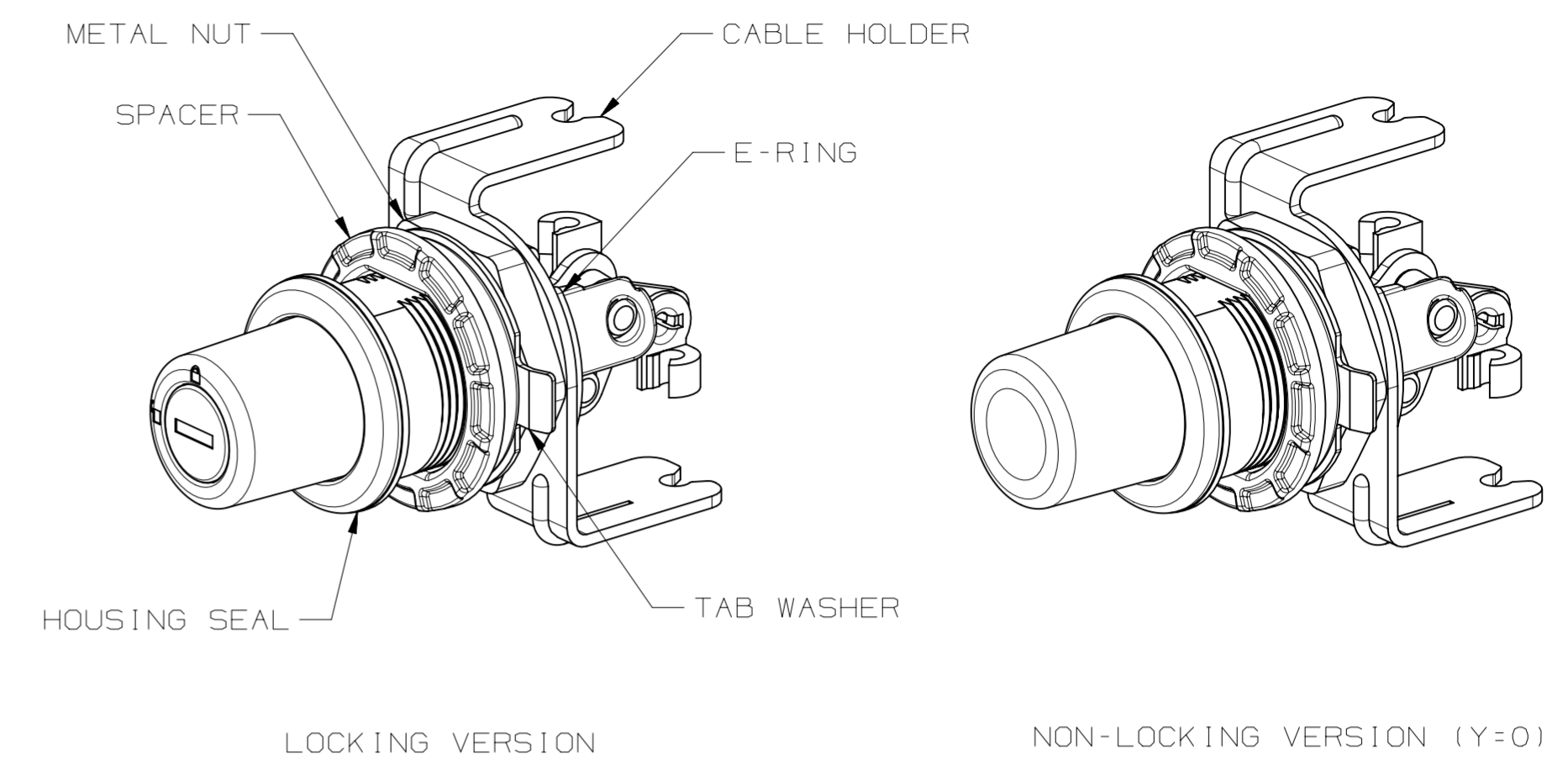
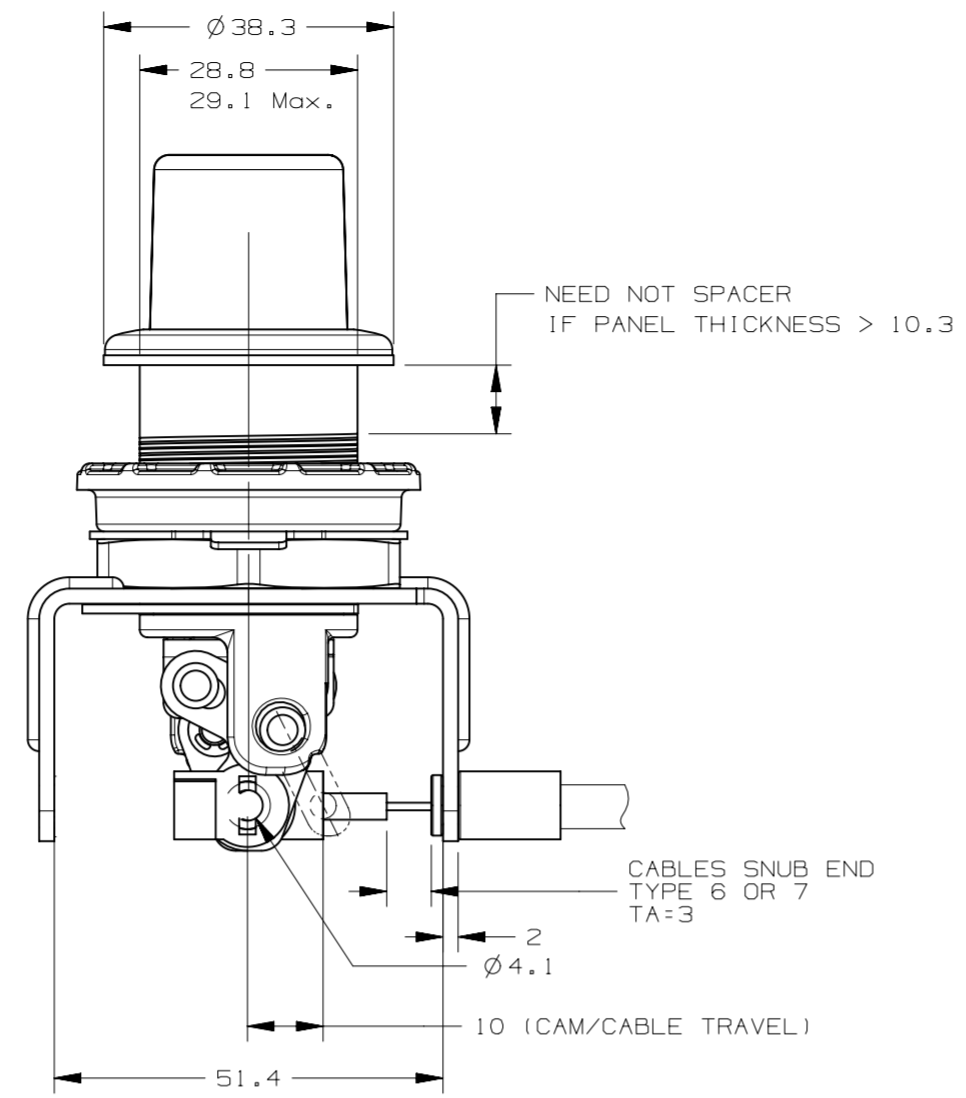
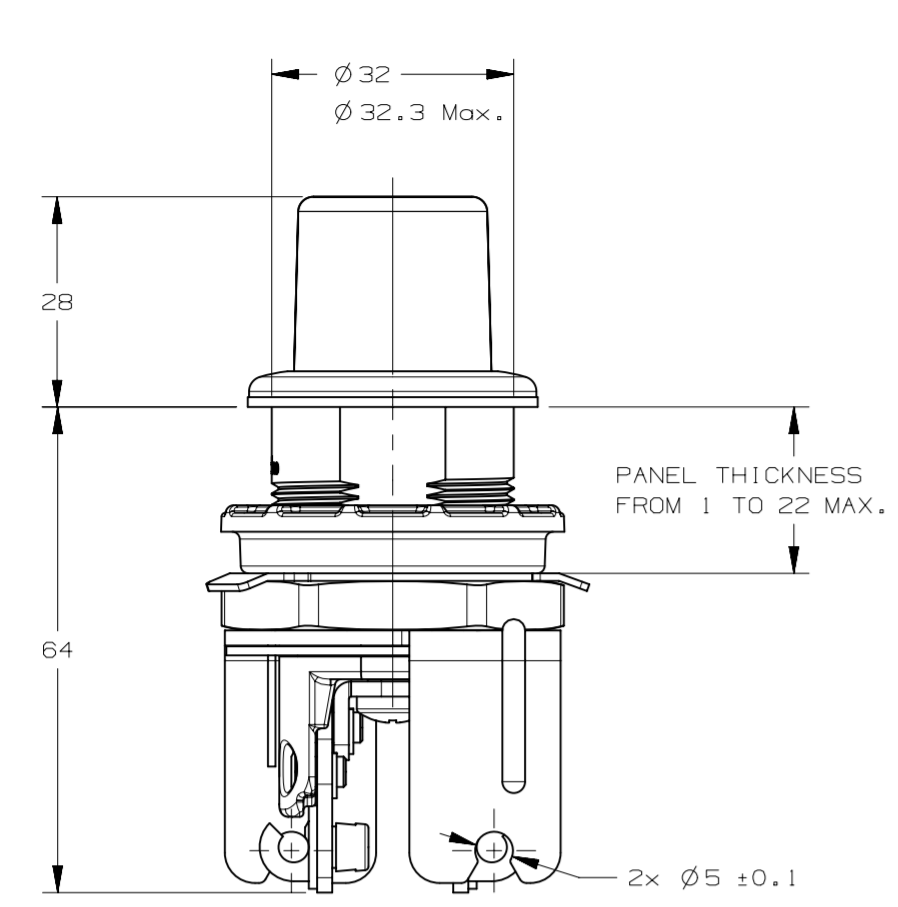
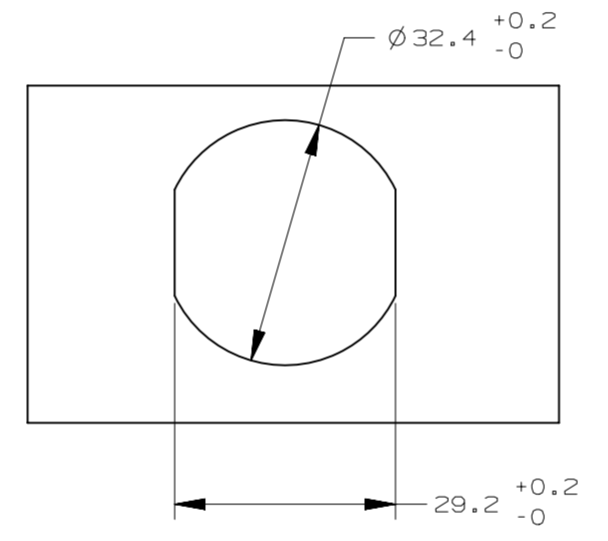


REVISION HISTORY			
REV	DATE	BY	DESCRIPTION
H	20SEP2021	OAP/MBT	PRN: P2021-1847



AC-30-1YZ



PANEL PREPARATION THICKNESS: 1MM TO 22MM Max.

PART NUMBER  
AC-30-XYZ-UV-WWWW

END STYLE  
LOCKING OPTION  
MOUNTING METHOD  
HOUSING MATERIAL  
BUTTON FINISH  
KEY CODES

END STYLE - X:  
1-WITH CAM ATTACHMENT  
3-WITHOUT CAM ATTACHMENT

LOCKING OPTION - Y:  
0-NONLOCKING  
1-REVERSIBLE KEY (NO KEYS - R001)  
2-REVERSIBLE KEY (2 KEYS INCLUDED - R001)  
3-REVERSIBLE KEY (MULTIPLE KEY CODES - 2 KEYS INCLUDED-KDXX)  
4-STANDARD KEY (NO KEYS - CH751)  
5-STANDARD KEY (2 KEYS INCLUDED - CH751)  
6-STANDARD KEY (MULTIPLE KEY CODES - 2 KEYS INCLUDED-MKXX)  
9-WITHOUT LOCKLUG INSTALLED

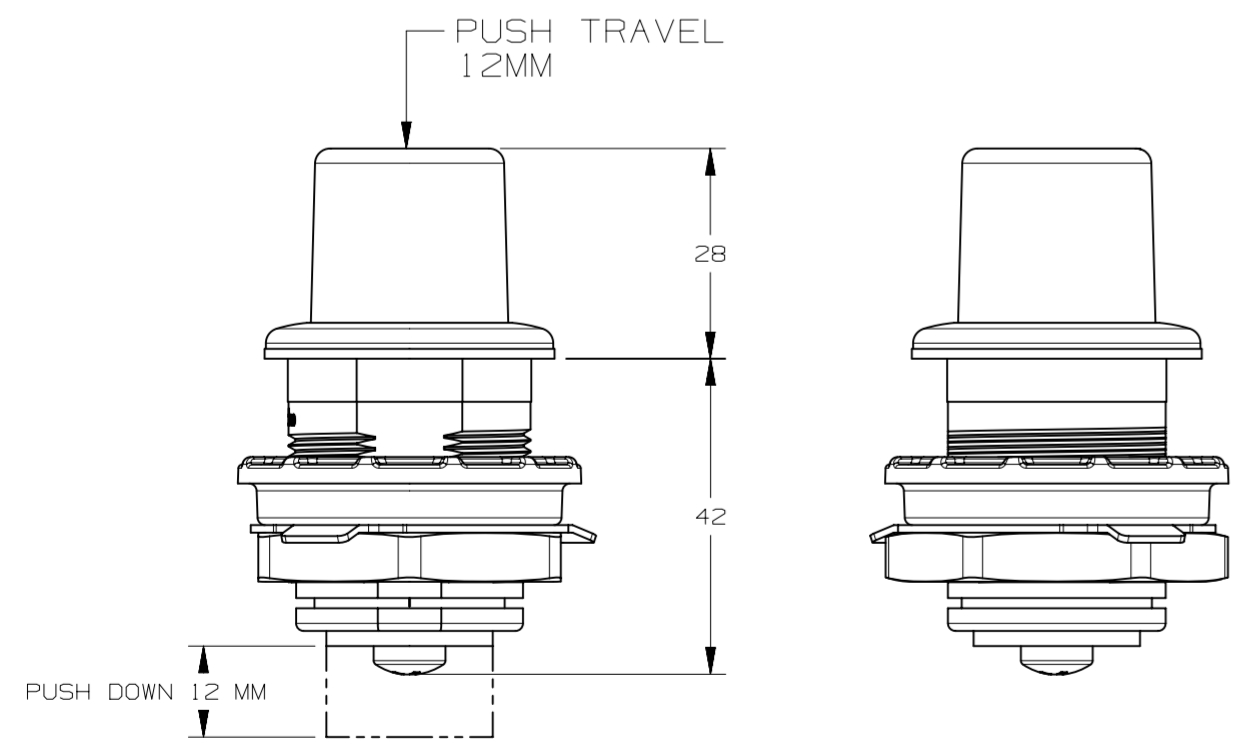
MOUNTING METHOD - Z:  
1-WITH SPACER MOUNTING - MUST HAVE IF GLASS MOUNTING PANEL  
2-WITHOUT SPACER MOUNTING

HOUSING MATERIAL - U:  
1-ZINC WITH BLACK POWER COAT  
3-STAINLESS STEEL WITH BLACK POWER COAT

BUTTON MATERIAL & FINISH - V:  
1-NYLON WITH BLACK MOLDING

KEY CODES (ONLY USE WHEN Y=3 OR 6) - WWWW:  
KD10-KEYED DIFFERENTLY (10 CODES)  
MK10-MASTER KEYED, KEYED DIFFERENTLY (10 CODES)

- NOTE:
- A. HOUSING SEAL, SPACER, METAL NUT, CABLE HOLDER WITH E-RING PACKAGE SEPARATELY
  - B. MATERIAL AND FINISH:
    - BUTTON: REINFORCED NYLON, SEE V;
    - HOUSING: ZINC DIE CAST OR STAINLESS STEEL, SEE U FOR HOUSING MATERIAL AND FINISH
    - LOCK PLUG: ZINC DIE CAST WITH BRIGHT STAINLESS COVER
    - MOUNTING NUT, ROTATION SHAFT: ZINC DIE CAST OR STAINLESS STEEL,
    - CAM, CAM WASHER, RIVET: STAINLESS STEEL, PASSIVATED
    - E-RING, SCREW, SPRING: STAINLESS STEEL, PASSIVATED
  - C. INSTALLATION:
    1. INSERT ACTUATOR HOUSING WITH SEAL INTO HOLE OF DOOR, CHECK FOR PROPER ORIENTATION AND OPERATION
    2. INSTALL SPACER, TAB WASHER, METAL NUT ONTO HOUSING, RECOMMENDED TIGHTENING TORQUE (M32X1.5):  
FOR STAINLESS STEEL NUT AND HOUSING: 100Nm Max.  
FOR ZINC ALLOY NUT AND HOUSING: 50Nm Max.
    3. CLIP ONE SIDE OF TAB WASHER TO HOLD METAL NUT, MUST TOUCH WITH THE SIDE WALL OF NUT, MAXIMUM CLEARANCE 1MM.
    4. FOR CABLE/ROD CONNECTION: INSTALL THE CABLE HOLDER AND CLIP WITH E-RING, MOUNTING CAM ON PAWL WITH HOLDER
  - D. ASSEMBLY CAN BE CONFIGURED WITH 1 OR 2 CABLES. RECOMMENDED SOUTHCO CABLE TYPE 6 OR 7 USE FITTING TYPE B OR K (L FITTING) FOR ACTUATOR END. CABLES SOLD SEPARATELY. REFER TO SOUTHCO CABLE CONFIGURATOR TOOL ON SOUTHCO.COM



AC-30-3YZ

(WITHOUT CAM ATTACHMENT FOR DIRECT ACTUATION. SAME AS AC-30-1YZ EXCEPT OF NO CABLE HOLDER OR CAM ASSEMBLY)

AC-30-XYZ-UV-WWWW PART NUMBER		SEE NOTES MATERIAL	SEE NOTES FINISH
THIRD ANGLE PROJECTION			
MILLIMETERS [IN]			
SURFACE AREA		TOLERANCES UNLESS OTHERWISE NOTED	
VOLUME		ALL DIMENSIONS WITHOUT TOLERANCES ARE FOR REFERENCE ONLY.	
PROPRIETARY ITEM		SIZE A2	SYSTEM NX
EXCEPT FOR USES EXPRESSLY GRANTED IN WRITING, INFORMATION DISCLOSED HEREON IS CONFIDENTIAL AND ALL RIGHTS, PATENT AND OTHERWISE, ARE RESERVED BY SOUTHCO, INC.		DWG NO. J-AC-30	SCALE 1:1
PER ASME Y14.5M-1994		DRAWN BY MZ	DATE 10FEB2010
		SHEET 1 OF 1	