



M5 Push-to-Close Latch

Pull-to-open – Magnetic Catch

- 316 Stainless Steel
- Range of holding powers
- Adjustable swivel catch

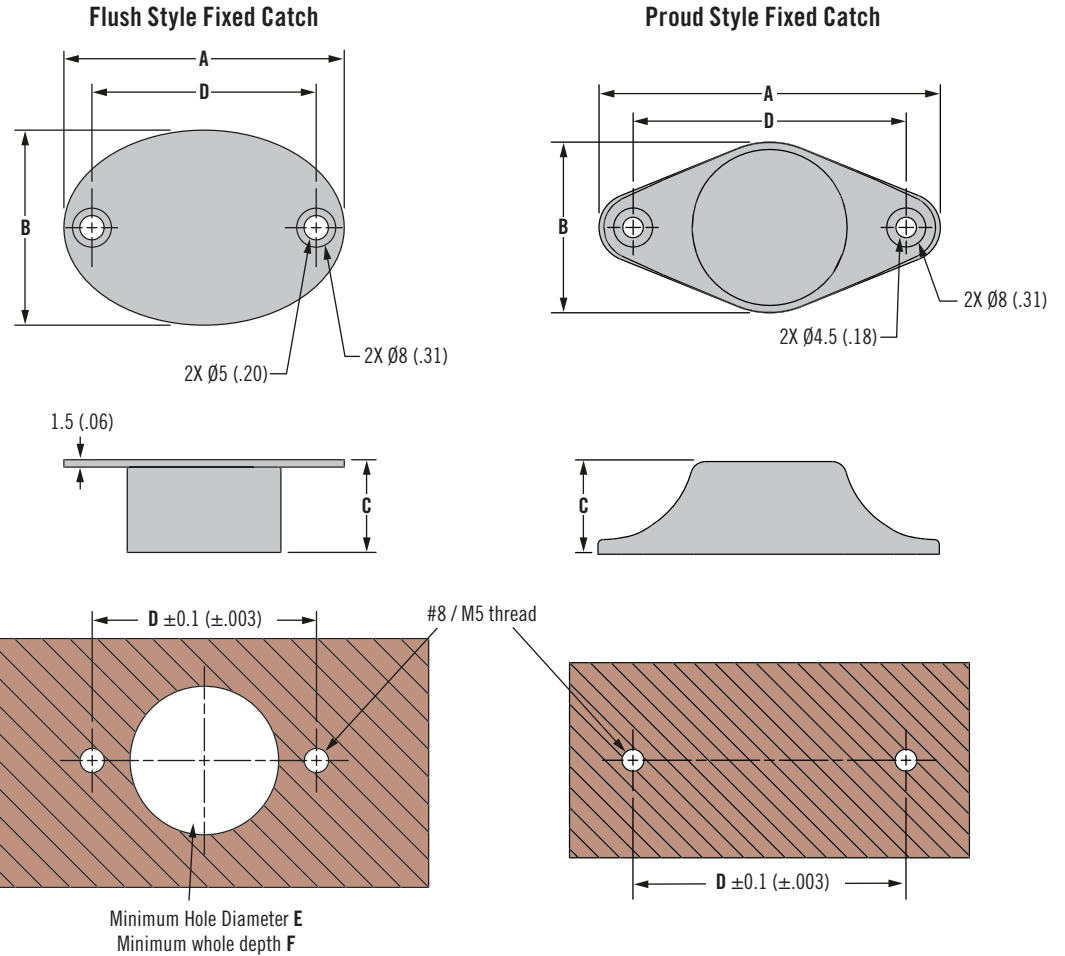
Material and Finish

Catches: 316 Stainless Steel

Magnet: NdFeB

Rubber Bumper: Buna, Black

Screws: 304 Stainless Steel



Fixed Catches

Part Number	Style	Strength	A	B	C	D	E	F
M5-7 M -41-8	Flush	Low	57.5 (2.26)	40 (1.57)	14 (.55)	46 (1.81)	21.5 (.85)	13.5 (.53)
M5-7 M -61-8		High	57.5 (2.26)	40 (1.57)	19 (.75)	46 (1.81)	31.5 (1.24)	18.5 (.73)
M5-7 M -42-8	Proud	Low	46.5 (1.83)	27 (1.06)	15.2 (.60)	34 (1.34)		
M5-7 M -62-8		High	70 (2.76)	35 (1.38)	19 (.75)	56 (2.20)		

M - Magnetic Polarity

N = Negative

P = Positive

How to order:

A complete set consists of a positive fixed catch and a negative fixed or swivel catch. Select catches to meet the needs for mounting style and strength.

Step 1

Select catch strengths.

Magnetic strength of combined catch guidelines		
Nominal Hold	Catch 1 Strength	Catch 2 Strength
50 N (11 lb.)	Low	Low
69 N (15 lb.)	Low	High
118 N (26 lb.)	High	High

Step 2

Select a negative catch style to fit your application.

Options:

Fixed Flush or Proud
Swivel Low Profile or Adjustable Height
Use "N" in 4th character of part number.

Step 3

Select a positive catch style to fit your application.

Options:

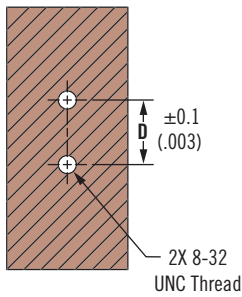
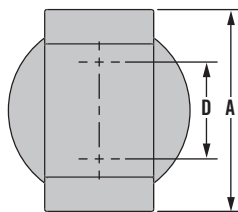
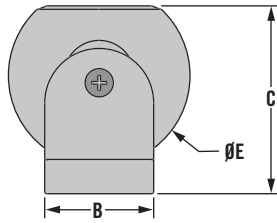
Fixed Flush or Proud
Use "P" in 4th character of part number.

M5 Push-to-Close Latch

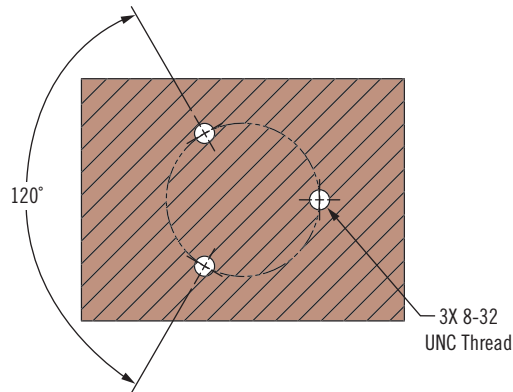
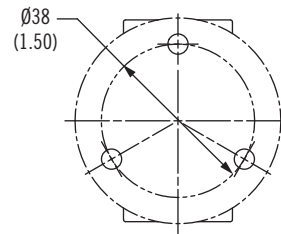
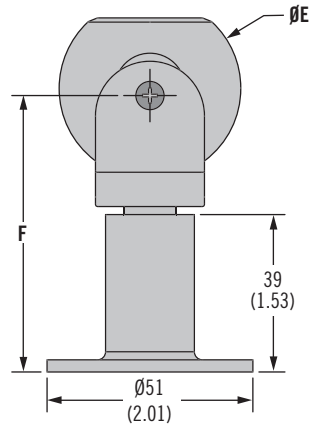
Pull-to-open – Magnetic Catch



Low Profile Swivel Catch



Adjustable Height Swivel Catch



Low Profile Swivel Catch

Part Number	Strength	A	B	C	D	E
M5-7N-43-8	Low	37 (1.46)	18.5 (.73)	32 (1.26)	16 (.63)	Ø32 (1.26)
M5-7N-63-8	High	50 (1.97)	27 (1.06)	46.7 (1.84)	24 (.94)	Ø45 (1.77)

Adjustable Height Swivel Catch

Part Number	Strength	E	F Min	F Max
M5-7N-44-8	Low	Ø32 (1.26)	60 (2.36)	89 (3.50)
M5-7N-45-8	Low	Ø32 (1.26)	75 (2.95)	101 (3.98)
M5-7N-65-8	High	Ø45 (1.77)	68.5 (2.70)	95 (3.74)