



P2 Flush Pull

Low profile · Lift or pull · Single hole mount

- Snap-in installation
- 2 sizes

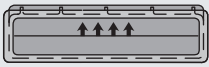
Material and Finish

ABS plastic, black

Performance Details

Maximum static load:

Lifting / pulling: 1300 N (300 lbf)



Pushing / sliding: 450 N (100 lbf)



Flammability rating:

UL94-HB or UL94-V0

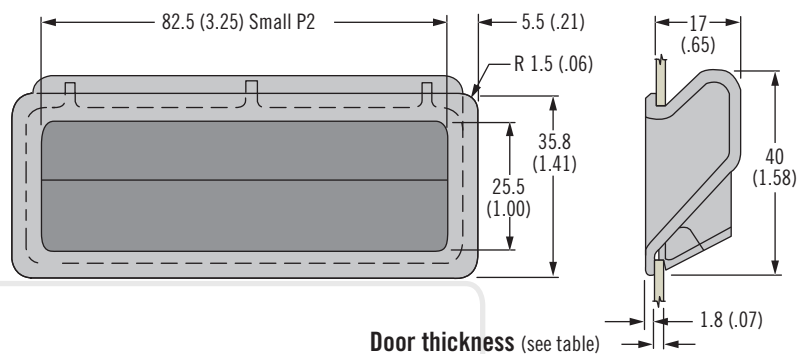
Operating temperature range:

-50°C (-60°F) to 60°C (140°F)

Notes

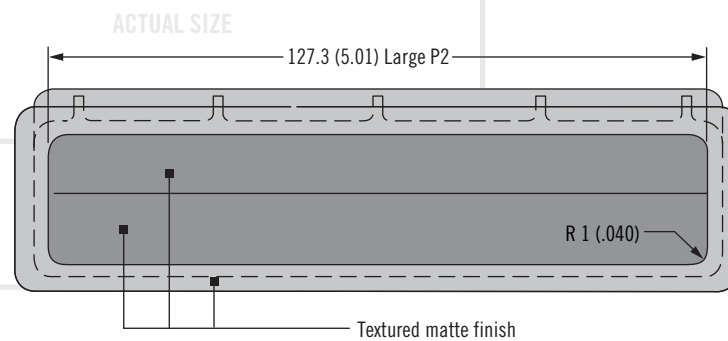
Performance details are based on installation in a 1.2 (.048) thick steel door. Maximum loads are limited by door strength.

Small

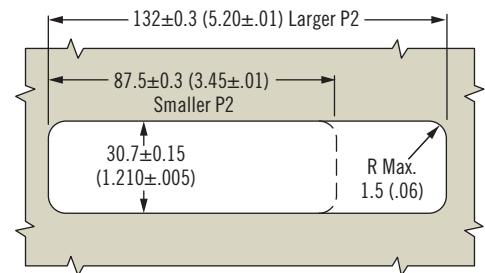
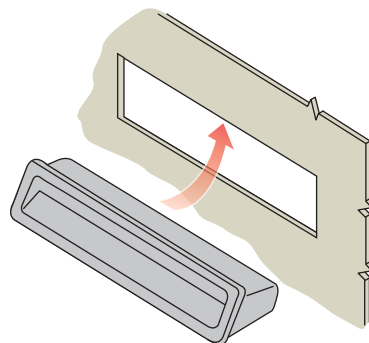


Door thickness (see table)

Large



ACTUAL SIZE



Part Number Selection

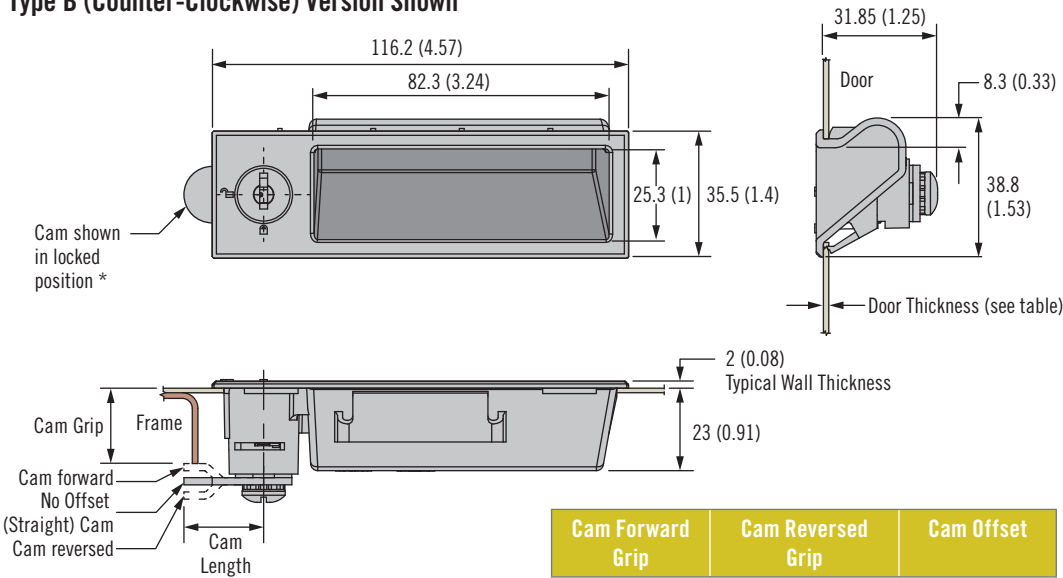
Door Thickness Range		Part Number			
		Small		Large	
Min.	Max.	UL94-HB	UL94-V0	UL94-HB	UL94-V0
1.0 (.040)	1.4 (.055)	P2-41	P2-41-1	P2-51	P2-51-1
1.4 (.055)	1.8 (.070)	P2-42	P2-42-1	P2-52	P2-52-1
1.8 (.070)	2.1 (.085)	P2-43	P2-43-1	P2-53	P2-53-1
2.1 (.085)	2.5 (.100)	P2-44	P2-44-1	P2-54	P2-54-1

P2 Flush Pull - Lockable

Low profile · Lift or pull · Single hole mount

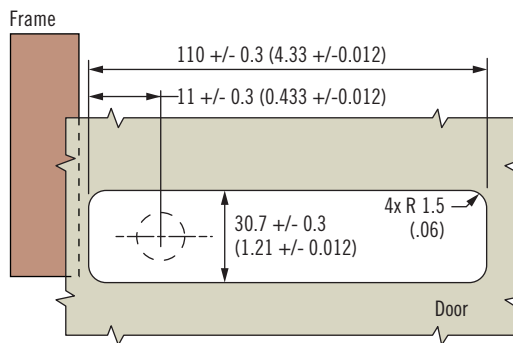
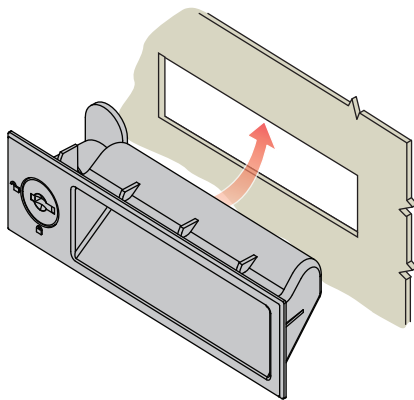


Type B (Counter-Clockwise) Version Shown



* Cam Ordered Separately
For Cam Part Numbers and options see our Handbook page 199 or www.southco.com

Cam Forward Grip	Cam Reversed Grip	Cam Offset
25 (0.98)	25 (0.98)	No Offset
21.8 (0.86)	28.2 (1.11)	3.2 (1.25)
18.6 (0.73)	31.4 (1.24)	6.4 (.250)
15.5 (0.61)	34.5 (1.36)	9.5 (.375)



- Snap-in installation
- Lockable
- Lock core included or sold separately
- Cam sold separately

Material and Finish

Pull: ABS plastic, black

Lock parts:

Zinc alloy, powder coated. Brass.

Steel, zinc plated. Buna-N

Flammability Rating

UL94-HB or UL94-V0 (See table)

Notes

For pulls without lock core, lock core sold separately, see page 190.

Cam sold separately. See page 199.

Part Number Selection

D Door Thickness Range

- 1.0 (.040) - 1.4 (.055)
- 1.4 (.055) - 1.8 (.070)
- 1.8 (.070) - 2.1 (.085)
- 2.1 (.085) - 2.5 (.100)

M Material

- 1 UL94-V0 PC/ABS
- 2 UL94-HB ABS

R Rotation

- 1 Type A (Clockwise to lock)
- 2 Type B (Counter-Clockwise to lock)

L Lock Style

- 2 With lock core, keyed alike CH751 (with two flat keys supplied)
- 9 Without lock core (See our handbook page 183 or visit www.southco.com)

P2 - 4 D M - R L