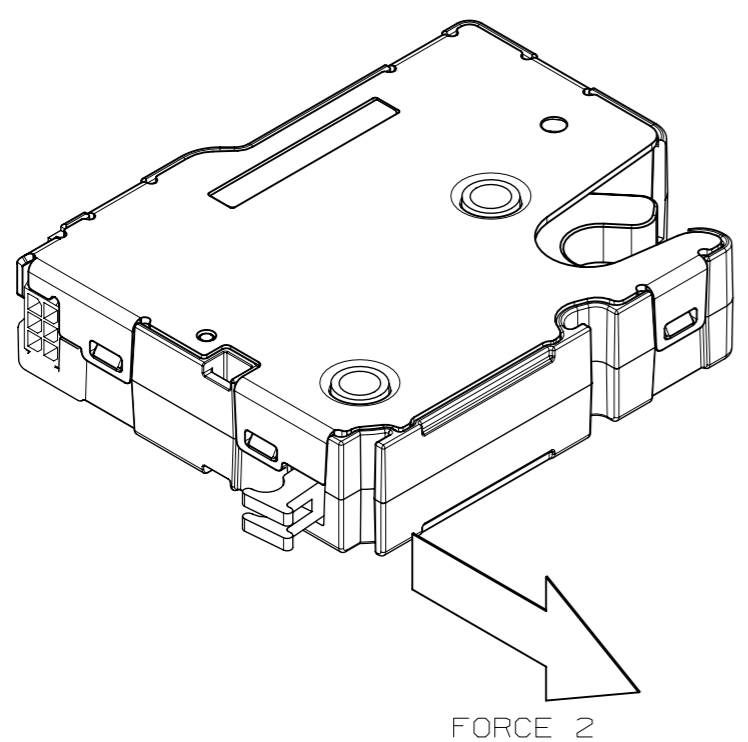


REVISION HISTORY			
REV	DATE	BY	DESCRIPTION
D	15AUG2018	BVH/BGL	PRN: 2018-2159

SOUTHCO PERFORMANCE GUIDELINES

THE PERFORMANCE GUIDELINES SHOWN ON THIS PAGE ARE SUPPLIED AS A GENERAL GUIDE ONLY, AS CONDITIONS VARY WITH EACH APPLICATION AND METHOD OF INSTALLATION. STRENGTH DATA GIVEN IS FOR FAILURE OF THE PRODUCT OR FOR SUFFICIENT DEFORMATION TO MAKE THE PRODUCT INOPERABLE. NO SAFETY FACTOR HAS BEEN APPLIED. IT IS RECOMMENDED THAT THE USER REQUEST A PRODUCT SAMPLE FOR TESTING TO DETERMINE THE SUITABILITY OF THE PRODUCT FOR THE PURPOSE INTENDED AND THE USER'S PARTICULAR APPLICATION



PERFORMANCE VALUES FOR R4-EM-9DXA5-1X0 AND R4-EM-9PXA5-1X0 REFER TO J-R4-EM-9-2 FOR ADDITIONAL SPECIFICATIONS

1. TESTING PERFORMED ON R4-EM-9D15-150, R4-EM-9D25-150, AND R4-EM-9P15-150.
2. TENSILE FORCES (DIRECTION 1) ARE APPLIED AT THE NOMINAL LATERAL POSITION (ZERO MISALIGNMENT), AS OUTLINED ON J-R4-EM-9-2.
3. MAXIMUM TENSILE FORCE (DIRECTION 1) ON THE CAM THAT THE LATCH CAN RELEASE (OPEN) ELECTRICALLY ONE TIME:
900 N [202lbf].
4. ULTIMATE TENSILE LOAD (DIRECTION 1) ON THE CAM BEFORE LATCH CAM FAILURE:
5800N [1304lbf].
5. CYCLE LIFE WITH 44N [10lbf] TENSILE FORCE (DIRECTION 1) WITH TEST PROFILE AS FOLLOWS:
 AMBIENT TEMPERATURE: 90,000
 CHAMBER TEMPERATURE -10C: 5,000
 CHAMBER TEMPERATURE 55C: 5,000
6. AVERAGE TENSILE FORCE (DIRECTION 2) REQUIRED ON THE MECHANICAL OVERRIDE TRIGGER TO RELEASE (OPEN) THE LATCH MANUALLY WITH A TENSILE FORCE ON THE CAM:

MAXIMUM AND MINIMUM FORCE TO OPERATE LATCH WITH MECHANICAL OVERRIDE WITH GIVEN CAM LOAD														
FORCE 1 ON CAM	ON [0lbf]		100 [22.5]		200 [45]		300 [67.4]		400 [89.9]		500 [112.4]		800 [179.8]	
	MIN	MAX	MIN	MAX	MIN	MAX	MIN	MAX	MIN	MAX	MIN	MAX	MIN	MAX
FORCE 2 ON MECHANICAL OVERRIDE	5.5 [1.2]	8 [1.8]	14 [3.1]	21 [4.7]	19.5 [4.4]	27 [6.1]	23.5 [5.3]	33 [7.4]	27.5 [6.2]	36.5 [8.2]	30 [6.7]	39 [8.8]	43.5 [9.8]	56 [12.6]

REF, FOR SOUTHCO INTERNAL USE ONLY:
 TRR4-33466
 TRR4-35389

	THIRD ANGLE PROJECTION	southco [®] CONNECT • CREATE • INNOVATE		
	MILLIMETERS [IN]	ELECTRONIC ACCESS SOLUTION R4-EM-9-2 SERIES DIE CAST ASSEMBLY		
SURFACE AREA	TOLERANCES UNLESS OTHERWISE NOTED			
VOLUME	N/A	SIZE A3	SYSTEM NX	DWG NO. TD-R4-EM-9-2-J
PROPRIETARY ITEM <small>EXCEPT FOR USES EXPRESSLY GRANTED IN WRITING, INFORMATION DISCLOSED HEREON IS CONFIDENTIAL AND ALL RIGHTS, PATENT AND OTHERWISE, ARE RESERVED BY SOUTHCO, INC.</small>	PER ASME Y14.5M-1994	DRAWN BY BVH	DATE 15AUG2018	SCALE 1:1
				SHEET 1 OF 1