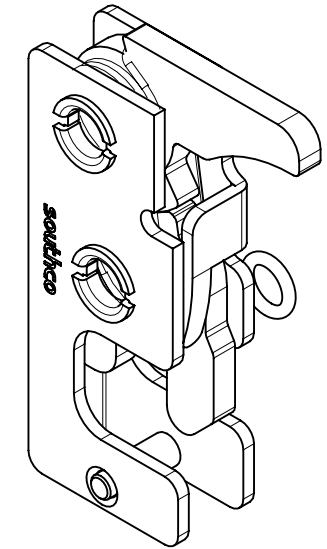
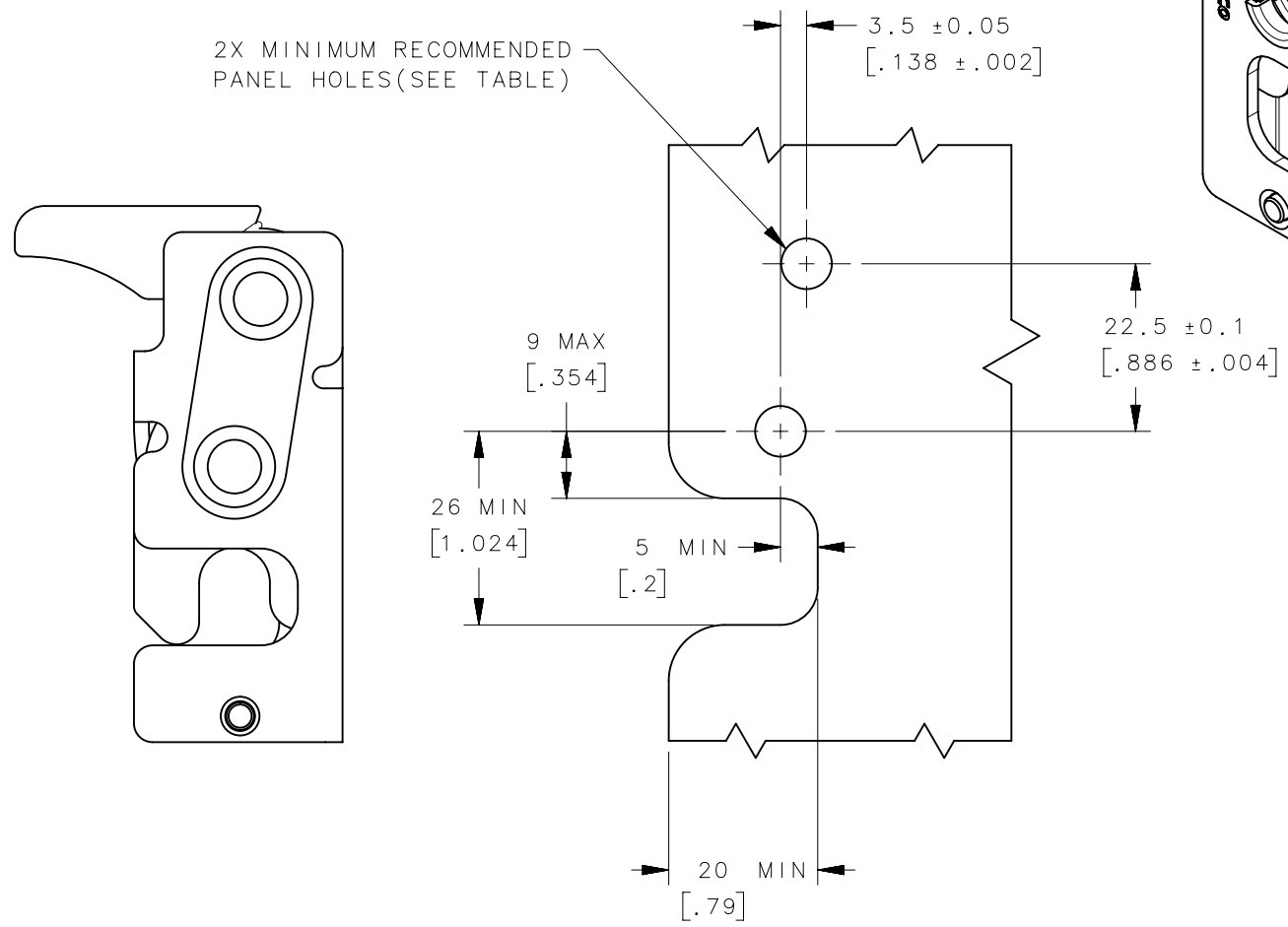
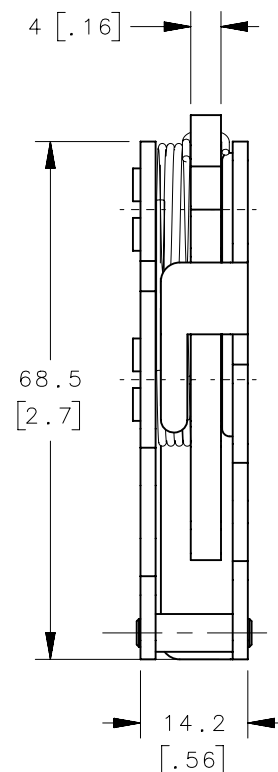
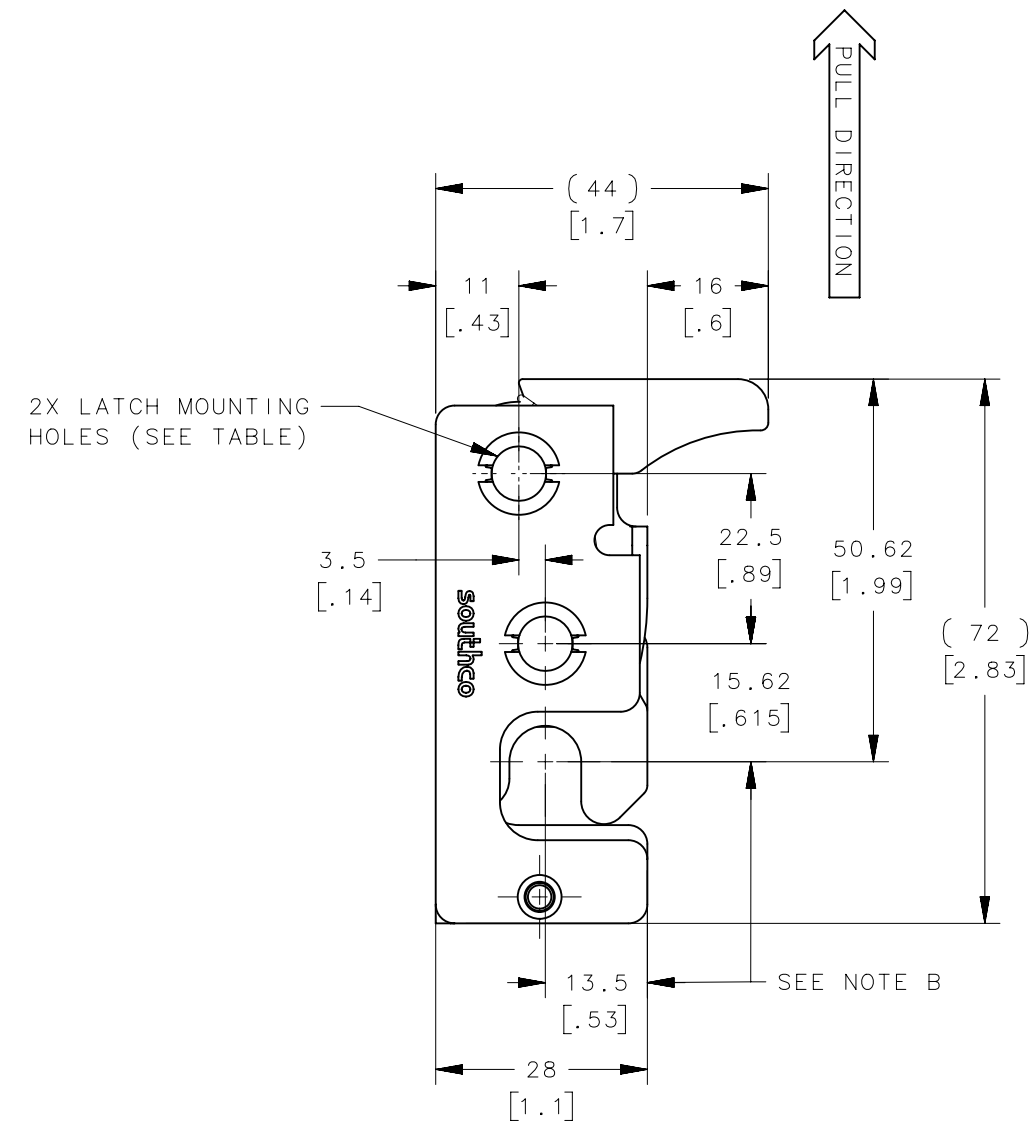


REVISION HISTORY			
REV	DATE	BY	DESCRIPTION
B	30JAN2014	ACH/ASM	PRN: P2014-0306



NOTES:

A. MATERIAL AND FINISH:

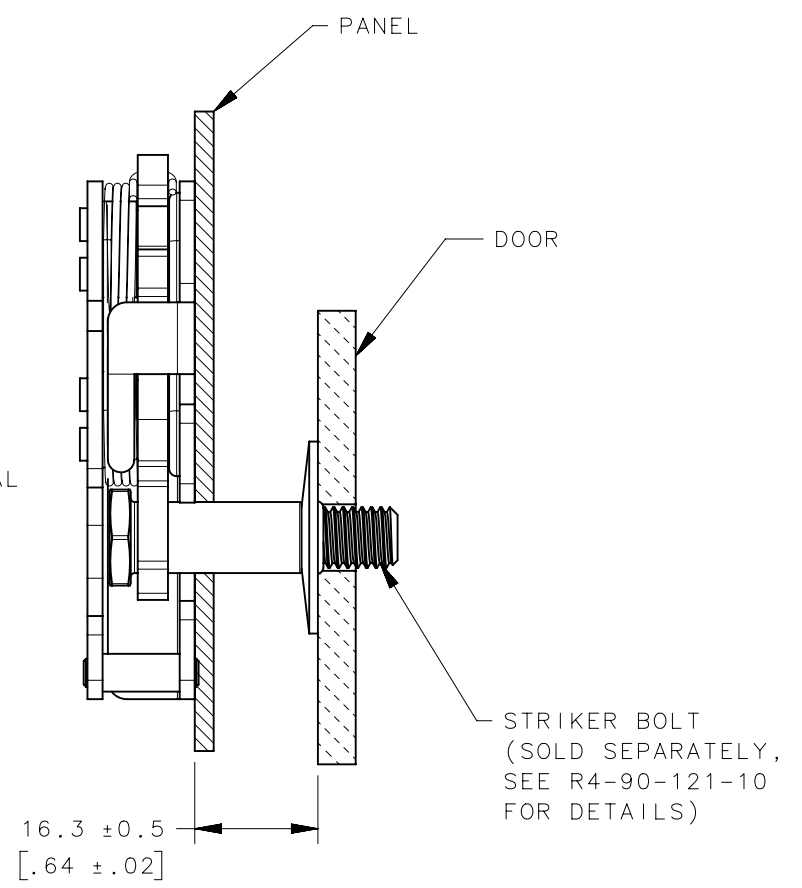
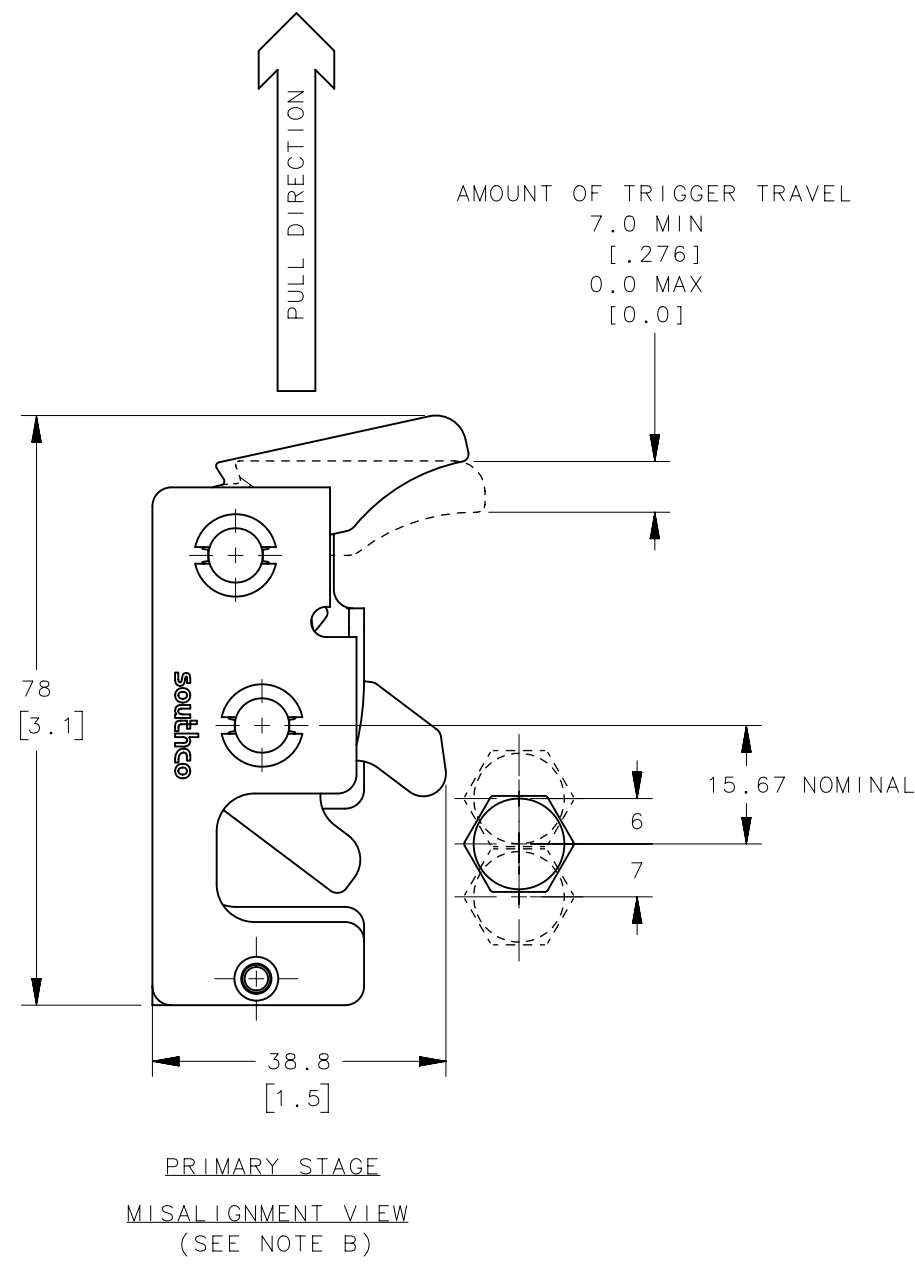
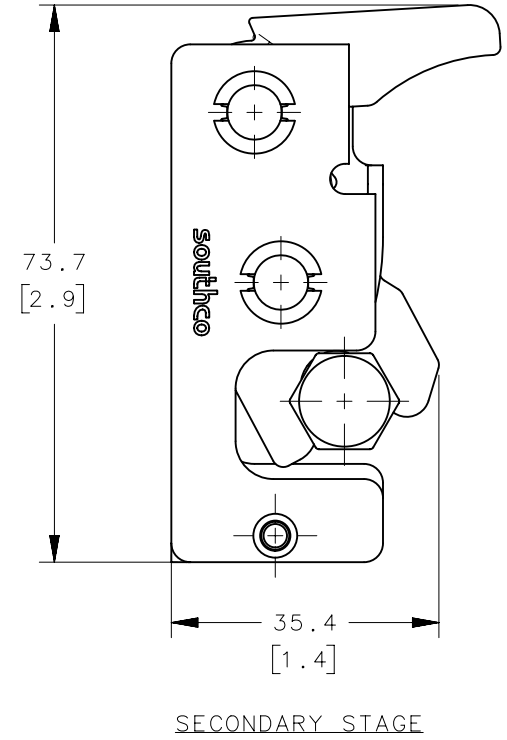
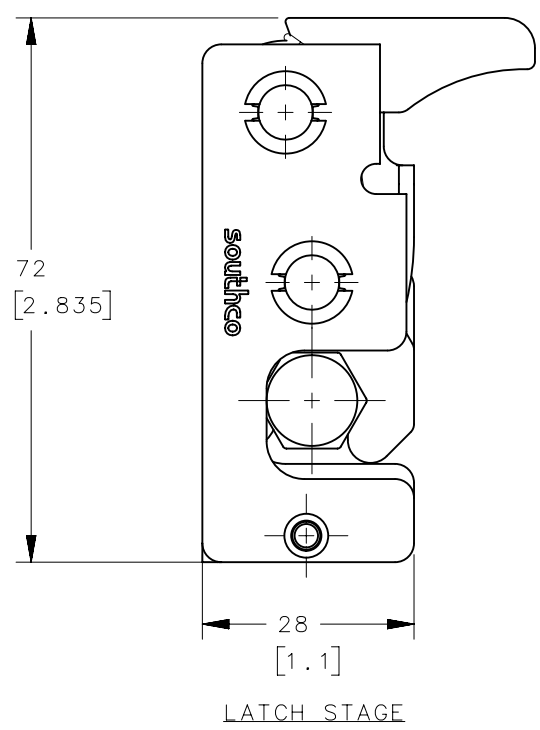
- HOUSING, LEVER AND INTERNAL COMPONENTS: STEEL, ZINC PLATED, BRIGHT CHROMATE
- PAWL AND TRIGGER: HARDENED STEEL, ZINC PLATED, BRIGHT CHROMATE.
- SPRING: STAINLESS STEEL, PASSIVATED

B. THESE DIMENSIONS REQUIRED FOR MOUNTING STRIKER BOLT.

R4-10-40-401-10	Ø 7.2mm THRU	Ø 7.6 [.299]
R4-10-41-401-10	1/4-20 THREAD	Ø 6.8 [.268]
R4-10-42-401-10	M6 THREAD	Ø 6.4 [.252]
ASSEMBLY PART NUMBER	LATCH MOUNTING HOLE	MINIMUM RECOMMENDED PANEL HOLE
	THIRD ANGLE PROJECTION	
	MILLIMETERS [IN]	
SURFACE AREA	TOLERANCES UNLESS OTHERWISE NOTED	
VOLUME	ALL DIMENSIONS WITHOUT TOLERANCES ARE FOR REFERENCE ONLY.	
PROPRIETARY ITEM	DESCRIPTION	R4 MINI TWO STAGE ROTARY LATCH DIRECT ACTUATOR - LEFT HAND
EXCEPT FOR USES EXPRESSLY GRANTED IN WRITING, INFORMATION DISCLOSED HEREON IS CONFIDENTIAL AND ALL RIGHTS, PATENT AND OTHERWISE, ARE RESERVED BY SOUTHCO, INC.	SIZE	B
	SYSTEM	NX
	DWG NO.	J-R4-10-40-401
PER ASME Y14.5M-1994	DRAWN BY	DJK
	DATE	26APR2012
	SCALE	1:1
	SHEET	1 OF 2



REVISION HISTORY			
REV	DATE	BY	DESCRIPTION
B	30JAN2014	ACH/ASM	PRN: P2014-0306



- NOTES:
- A. THE TOLERANCE BETWEEN THE LATCH AND STRIKER BOLT ASSUMES A NON-RIGID DOOR INSTALLATION THAT WILL ALLOW THE DOOR TO MOVE INTO THE NOMINAL POSITION DURING LATCHING. RIGID DOORS MUST HAVE THE STRIKER INSTALLED PER THE PANEL PREPARATION RECOMMENDATION.
 - B. THE MISALIGNMENT VIEW ASSUMES THE LATCH IS CONNECTED TO A PERFECTLY RIGID DOOR AND HINGE; THEREFORE, THERE IS NO DOOR AND/OR HINGE SLACK ASSOCIATED WITH THESE DIMENSIONS. THE MISALIGNMENT VIEW DOES NOT TAKE FLEXING OF THE STRIKER BOLT INTO ACCOUNT.

R4-10-40-401-77	∅ 7.2mm THRU	∅ 7.6 [.299]	
R4-10-41-401-77	1/4-20 THREAD	∅ 6.8 [.268]	
R4-10-42-401-77	M6 THREAD	∅ 6.4 [.252]	
R4-10-40-401-10	∅ 7.2mm THRU	∅ 7.6 [.299]	
R4-10-41-401-10	1/4-20 THREAD	∅ 6.8 [.268]	
R4-10-42-401-10	M6 THREAD	∅ 6.4 [.252]	
ASSEMBLY PART NUMBER	LATCH MOUNTING HOLE	MINIMUM RECOMMENDED PANEL HOLE	GENERAL NOTES

THIRD ANGLE PROJECTION				southco [®] CONNECT • CREATE • INNOVATE	
MILLIMETERS [IN]					
SURFACE AREA XXXXXmm ²		TOLERANCES UNLESS OTHERWISE NOTED ALL DIMENSIONS WITHOUT TOLERANCES ARE FOR REFERENCE ONLY.		DESCRIPTION R4 MINI TWO STAGE ROTARY LATCH DIRECT ACTUATOR - LEFT HAND	
VOLUME XXXXXmm ³					
PROPRIETARY ITEM		SIZE B	SYSTEM NX	DWG NO. J-R4-10-40-401	
EXCEPT FOR USES EXPRESSLY GRANTED IN WRITING, INFORMATION DISCLOSED HEREON IS CONFIDENTIAL AND ALL RIGHTS, PATENT AND OTHERWISE, ARE RESERVED BY SOUTHCO, INC.		PER ASME Y14.5M-1994	DRAWN BY DJK	DATE 26APR2012	SCALE 1:1
				SHEET 2 OF 2	