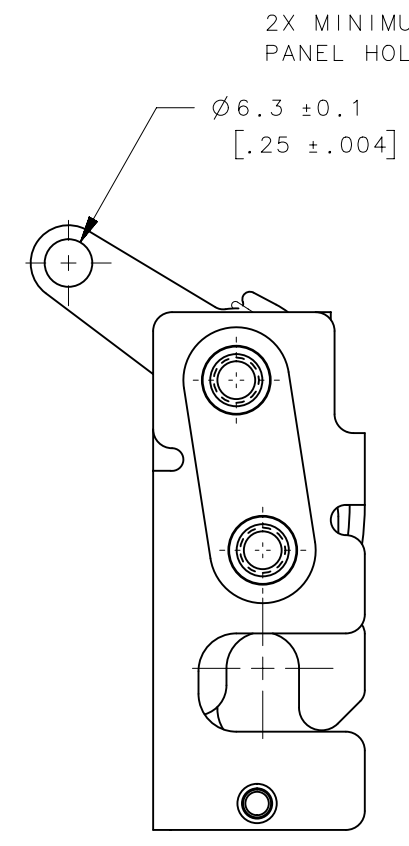
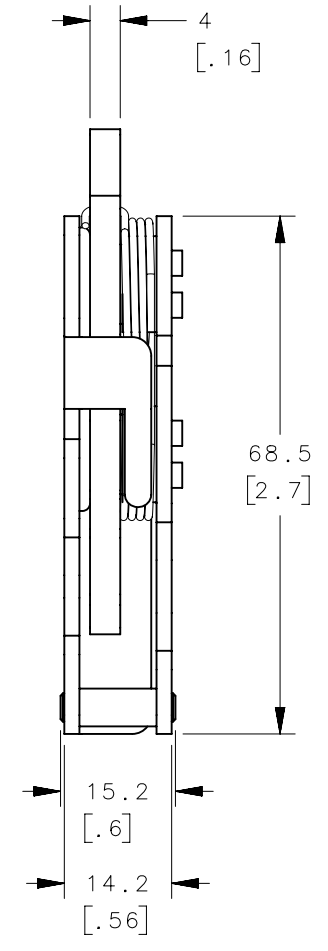
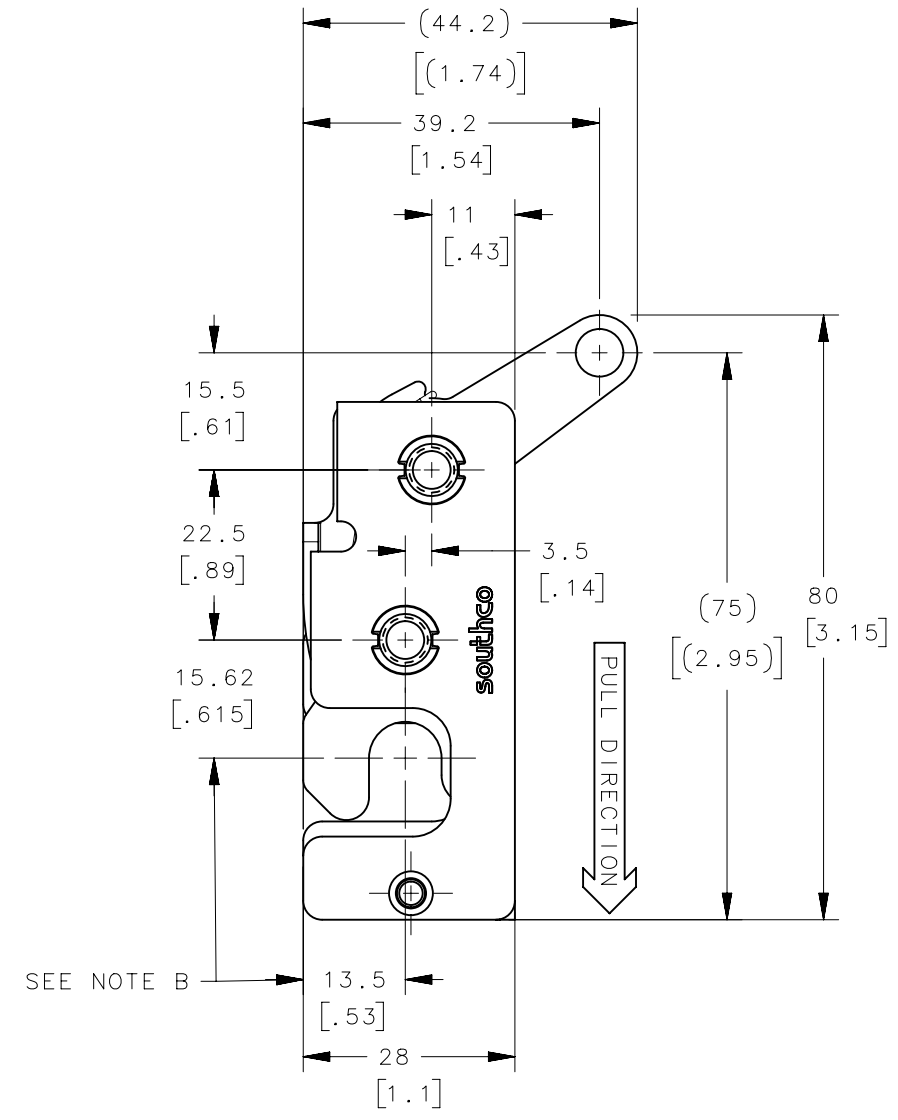
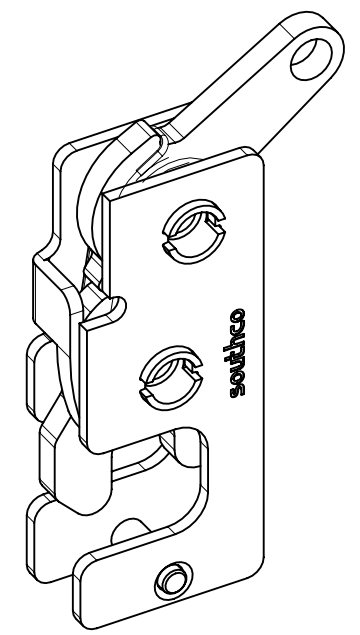
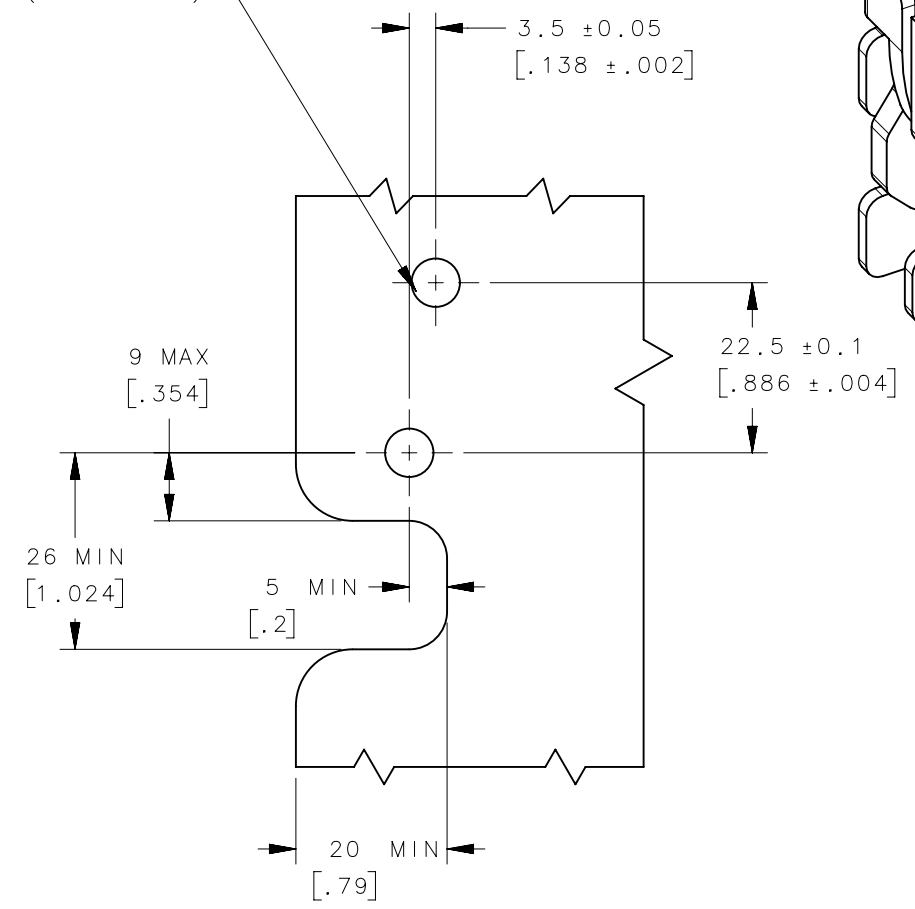


REVISION HISTORY			
REV	DATE	BY	DESCRIPTION
1	13JUL2018	HPD/DMS	PRN: P2018-1687



2X MINIMUM RECOMMENDED
PANEL HOLES (SEE TABLE)



SCALE 1:1

PANEL PREPARATION

NOTES:

- MATERIAL AND FINISH:
 - HOUSING, LEVER AND INTERNAL COMPONENTS:
MATERIAL - STEEL
-10 ZINC PLATED, BRIGHT CHROMATE
-77 ZINC NICKEL, BRIGHT CHROMATE
 - PAWL AND TRIGGER:
MATERIAL - HARDENED STEEL
-10 ZINC PLATED, BRIGHT CHROMATE
-77 ZINC NICKEL, BRIGHT CHROMATE
 - SPRING: STAINLESS STEEL, PASSIVATED
- THESE DIMENSIONS REQUIRED FOR MOUNTING STRIKER BOLT.

R4-10-10-501-77	Ø7.2mm	Ø7.2 [.299]	SEE NOTE 1	SEE NOTE 1
R4-10-11-501-77	1/4-20 THREAD	Ø6.8 [.268]	SEE NOTE 1	SEE NOTE 1
R4-10-12-501-77	M6 THREAD	Ø6.4 [.252]	SEE NOTE 1	SEE NOTE 1
R4-10-10-501-10	Ø7.2mm	Ø7.2 [.299]	SEE NOTE 1	SEE NOTE 1
R4-10-11-501-10	1/4-20 THREAD	Ø6.8 [.268]	SEE NOTE 1	SEE NOTE 1
R4-10-12-501-10	M6 THREAD	Ø6.4 [.252]	SEE NOTE 1	SEE NOTE 1
PART NUMBER	LATCH MOUNTING HOLE	MINIMUM PANEL HOLE	MATERIAL	FINISH

THIRD ANGLE PROJECTION				
MILLIMETERS [IN]				
TOLERANCES UNLESS OTHERWISE NOTED	DESCRIPTION			
ALL DIMENSIONS WITHOUT TOLERANCES ARE FOR REFERENCE ONLY.	R4 MINI ROTARY LATCH WITH TRIGGER HOLE - RIGHT HAND			
PROPRIETARY ITEM	SIZE	SYSTEM	DWG NO.	
EXCEPT FOR USES EXPRESSLY GRANTED IN WRITING, INFORMATION DISCLOSED HEREON IS CONFIDENTIAL AND ALL RIGHTS, PATENT AND OTHERWISE, ARE RESERVED BY SOUTHCO, INC.	B	NX	J-R4-10-10-501	
PER ASME Y14.5M-1994	DRAWN BY	DATE	SCALE	SHEET
	ACH/JCK	10NOV2010	1:1	1 OF 3

6

5

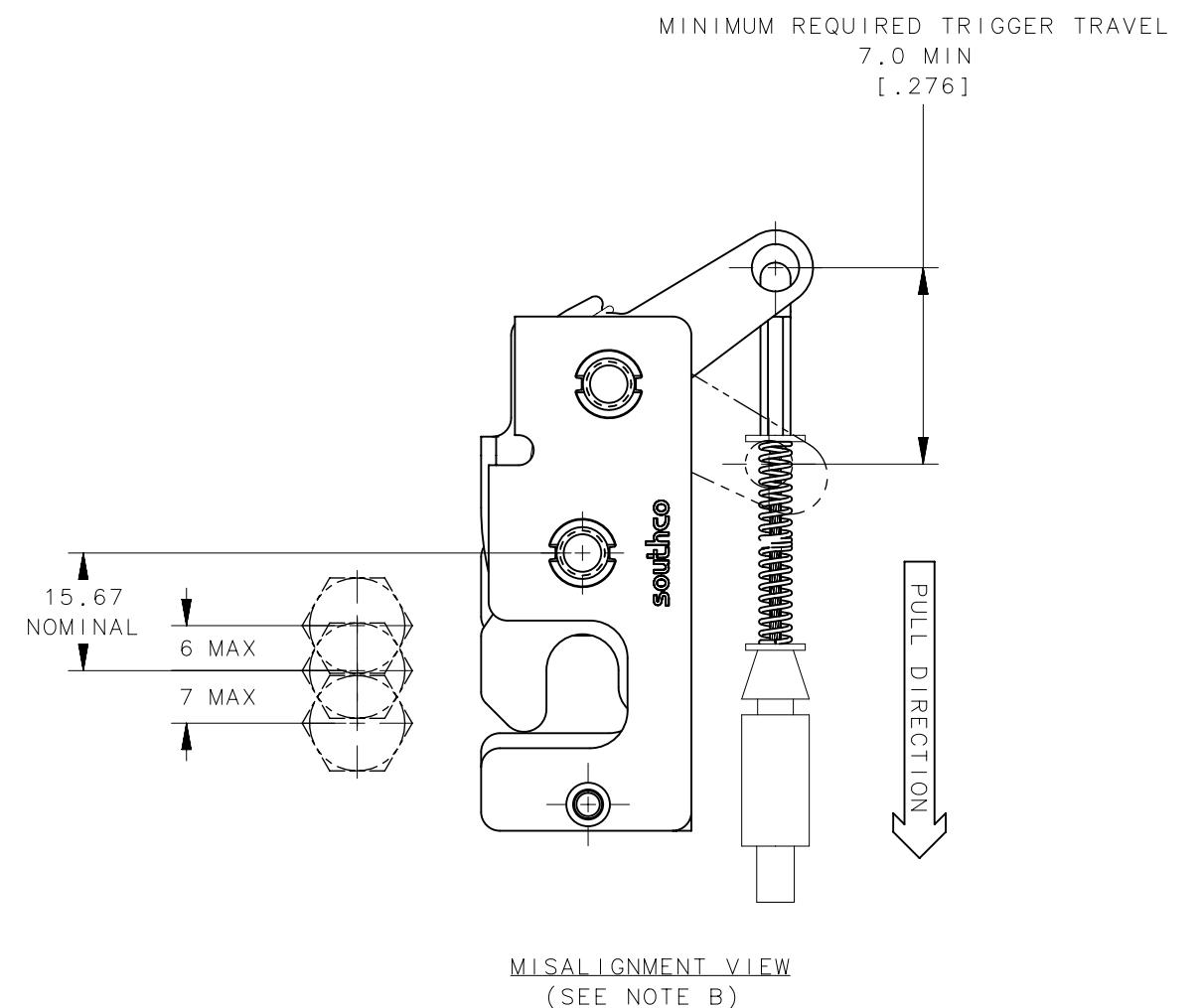
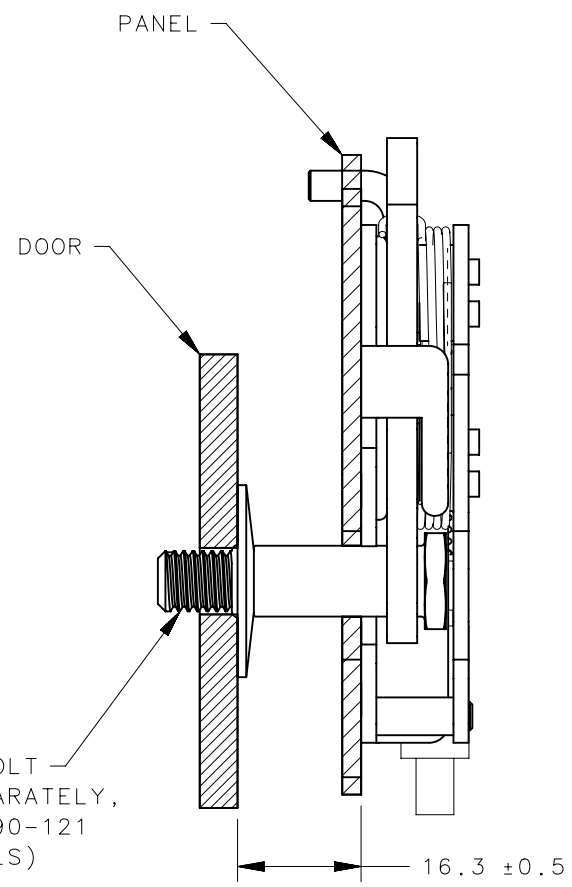
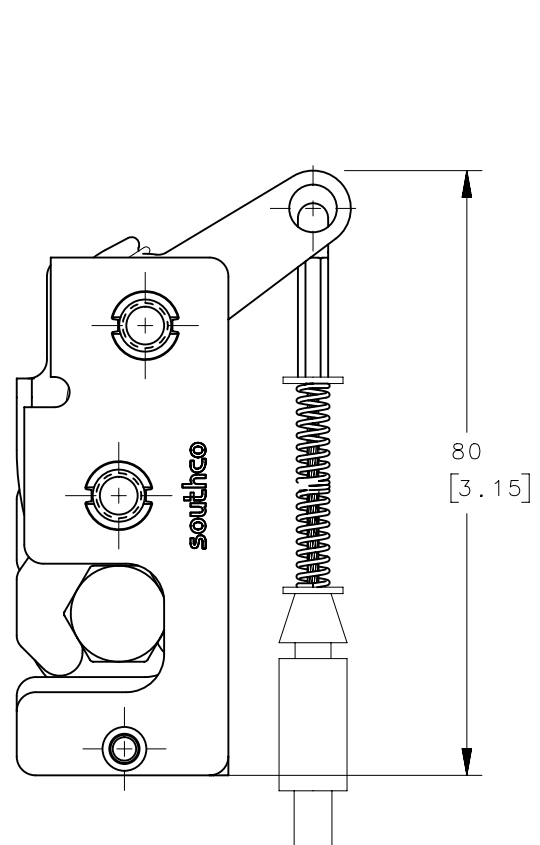
4

3

2

1

REVISION HISTORY			
REV	DATE	BY	DESCRIPTION
1	13JUL2018	HPD/DMS	PRN: P2018-1687



ASSEMBLY R4-10-10-501-10 SHOWN

NOTES:

1. THE TOLERANCE BETWEEN THE LATCH AND STRIKER BOLT ASSUMES A NON-RIGID DOOR INSTALLATION THAT WILL ALLOW THE DOOR TO MOVE INTO THE NOMINAL POSITION DURING LATCHING. RIGID DOORS MUST HAVE THE STRIKER INSTALLED PER THE PANEL PREPARATION RECOMMENDATION.
2. THE MISALIGNMENT VIEW ASSUMES THE LATCH IS CONNECTED TO A PERFECTLY RIGID DOOR AND HINGE; THEREFORE, THERE IS NO DOOR AND/OR HINGE SLACK ASSOCIATED WITH THESE DIMENSIONS. THE MISALIGNMENT VIEW DOES NOT TAKE FLEXING OF THE STRIKER BOLT INTO ACCOUNT.

PROPRIETARY ITEM EXCEPT FOR USES EXPRESSLY GRANTED IN WRITING, INFORMATION DISCLOSED HEREON IS CONFIDENTIAL AND ALL RIGHTS, PATENT AND OTHERWISE, ARE RESERVED BY SOUTHCO, INC.	THIRD ANGLE PROJECTION	southco [®]	
	MILLIMETERS [IN]	CONNECT • CREATE • INNOVATE	
	TOLERANCES UNLESS OTHERWISE NOTED	DESCRIPTION	
	ALL DIMENSIONS WITHOUT TOLERANCES ARE FOR REFERENCE ONLY.	R4 MINI ROTARY LATCH WITH TRIGGER HOLE - RIGHT HAND	
PER ASME Y14.5M-1994	SIZE B	SYSTEM NX	DWG NO. J-R4-10-10-501
	DRAWN BY ACH/JCK	DATE 10NOV2010	SCALE 1:1 SHEET 2 OF 3

6

5

4

3

2

1

6

5

4

3

2

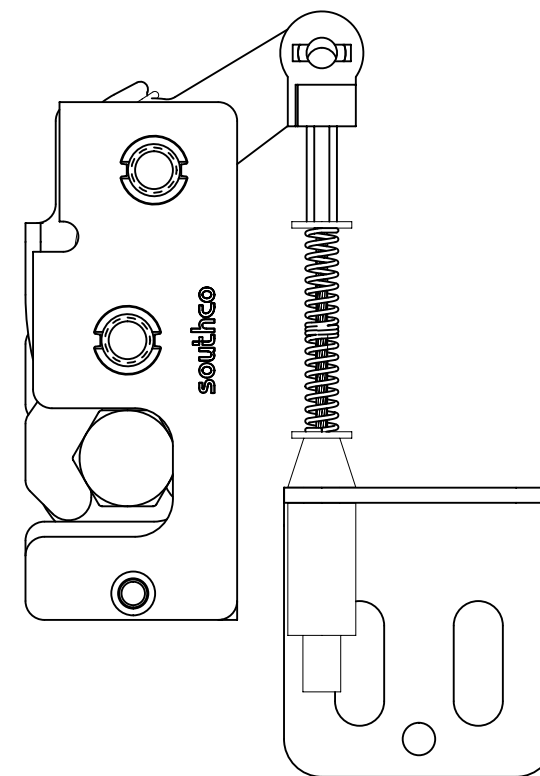
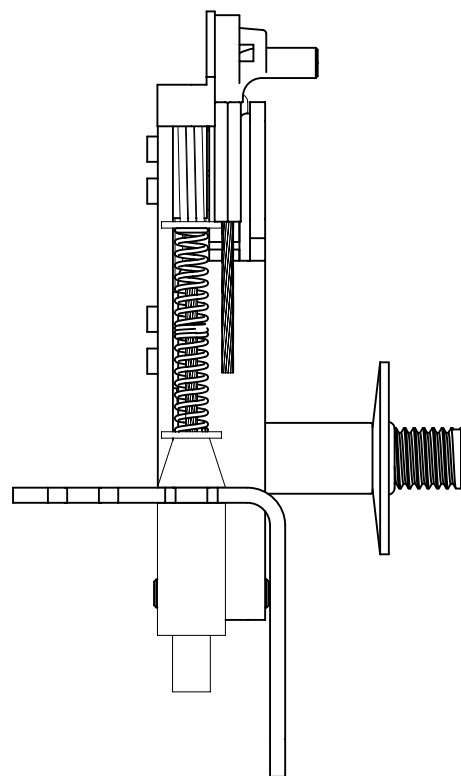
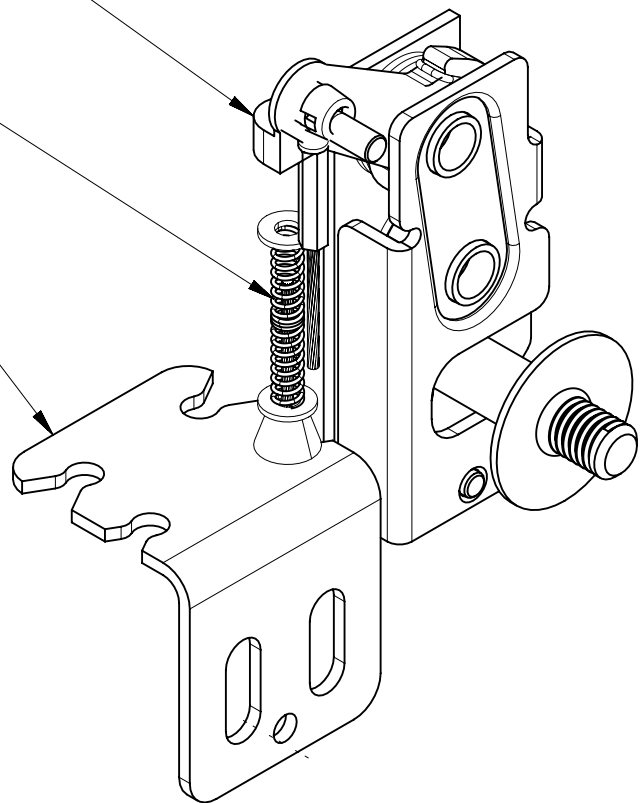
1

REVISION HISTORY			
REV	DATE	BY	DESCRIPTION
1	13JUL2018	HPD/DMS	PRN: P2018-1687

OPTIONAL LINK RETAINER
PART NUMBER R4-0-43922
(SOLD SEPARATELY)

CABLE ASSEMBLY
SEE J-AC-C

OPTIONAL CABLE ASSEMBLY
MOUNTING BRACKET
PART NUMBER AC-900-02-10
(SOLD SEPARATELY)



ASSEMBLY R4-10-10-501-10 SHOWN

THIRD ANGLE PROJECTION		southco [®] CONNECT • CREATE • INNOVATE	
MILLIMETERS [IN]			
TOLERANCES UNLESS OTHERWISE NOTED		DESCRIPTION R4 MINI ROTARY LATCH WITH TRIGGER HOLE - RIGHT HAND	
ALL DIMENSIONS WITHOUT TOLERANCES ARE FOR REFERENCE ONLY.		SIZE B	SYSTEM NX
PROPRIETARY ITEM EXCEPT FOR USES EXPRESSLY GRANTED IN WRITING, INFORMATION DISCLOSED HEREON IS CONFIDENTIAL AND ALL RIGHTS, PATENT AND OTHERWISE, ARE RESERVED BY SOUTHCO, INC.		DWG NO. J-R4-10-10-501	SCALE 1:1
PER ASME Y14.5M-1994		DRAWN BY ACH/JCK	DATE 10NOV2010
		SHEET 3 OF 3	

6

5

4

3

2

1