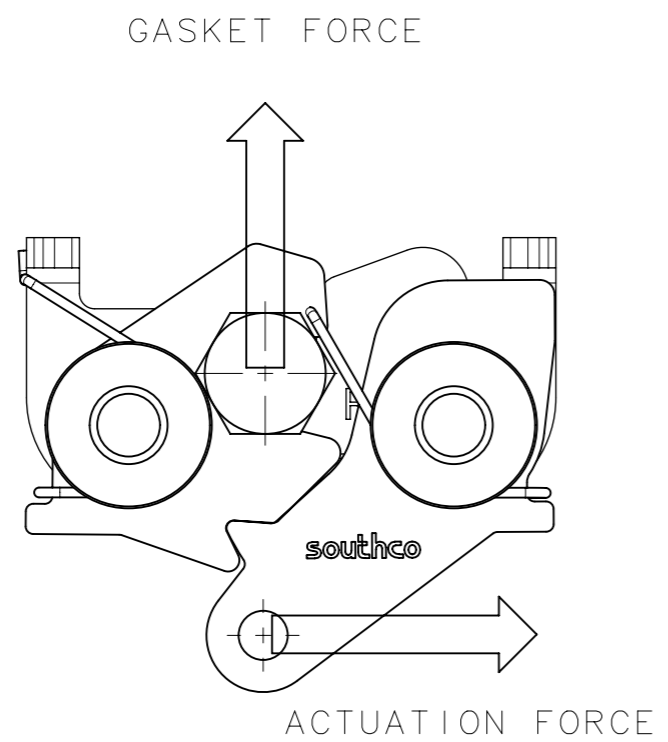
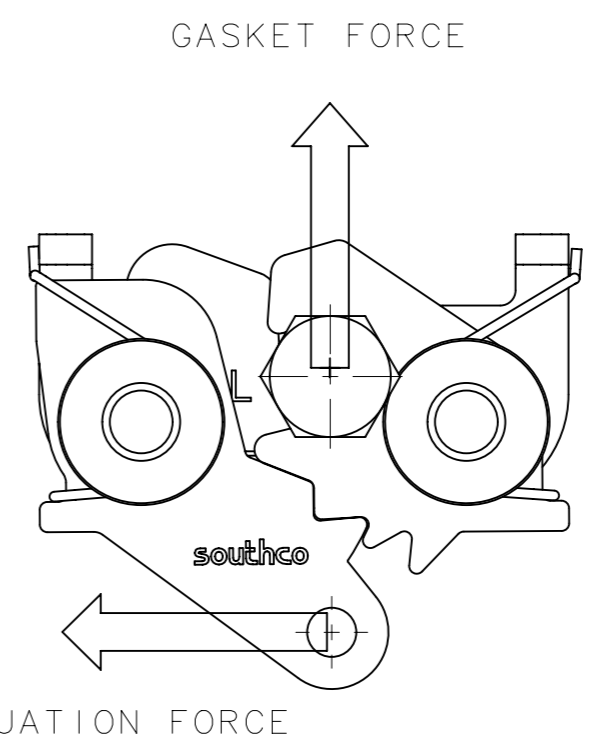


REVISION HISTORY			
REV	DATE	BY	DESCRIPTION
B	20JUL2016	ACH/NJF	PRN: P2016-1706

THE PERFORMANCE GUIDELINES SHOWN ON THIS PAGE ARE SUPPLIED AS A GENERAL GUIDE ONLY. AS CONDITIONS VARY WITH EACH APPLICATION AND METHOD OF INSTALLATION, STRENGTH DATA GIVEN IS FOR FAILURE OF THE PRODUCT OR FOR SUFFICIENT DEFORMATION TO MAKE THE PRODUCT INOPERABLE. NO SAFETY FACTOR HAS BEEN APPLIED. IT IS RECOMMENDED THAT THE USER REQUEST A PRODUCT SAMPLE FOR TESTING TO DETERMINE THE SUITABILITY OF THE PRODUCT FOR THE PURPOSE INTENDED AND USER'S PARTICULAR APPLICATION



R4-20-10-501-10
RIGHT-HAND SINGLE-STAGE



R4-20-40-501-10
LEFT-HAND DUAL-STAGE

PERFORMANCE VALUES FOR R4-20-XY-501-10

TYPE OF LATCH	GASKET FORCE	AVERAGE FORCE REQUIRED TO ACTUATE (OPEN) LATCH	AVERAGE ULTIMATE TENSILE FORCE		CYCLE LIFE
			PRIMARY	SECONDARY	
SINGLE - STAGE	111 N (25 lb)	31 N TO 69 N (7 lb TO 15.5 lb)	8,000 N (1800 lb)	N/A	25,000
DUAL - STAGE	111 N (25 lb)	40 N TO 82.5 N (9 LB TO 18.5 lb)	8,000 N (1800 lb)	5,000 N (1.124 lb)	25,000

- ACTUATION FORCE TESTS AND CYCLE TEST WERE PERFORMED WITH PART NUMBERS R4-20-10-501-10, R4-20-20-501-10, R4-20-30-501-10, AND R4-20-40-501-10.
- MAXIMUM ALLOWABLE TORQUE ON THREADED MOUNTING SCREWS IS 120 in-lbs (13.56 N-m).

THIRD ANGLE PROJECTION		southco [®] CONNECT • CREATE • INNOVATE	
MILLIMETERS [IN]			
TOLERANCES UNLESS OTHERWISE NOTED		DESCRIPTION R4-20 TEST DATA SHEET	
SURFACE AREA UP TO 0.5 ±0.05		SIZE A3	SYSTEM NX
VOLUME OVER 0.5 UP TO 6 ±0.1		DWG NO. TD-R4-20-J	
OVER 6 UP TO 30 ±0.2		DRAWN BY DRS/GC	DATE 28APR2009
OVER 30 ±0.3		SCALE 1:1	SHEET 1 OF 1
ANGLES ±1°		PER ASME Y14.5M-1994	
PROPRIETARY ITEM			
EXCEPT FOR USES EXPRESSLY GRANTED IN WRITING, INFORMATION DISCLOSED HEREON IS CONFIDENTIAL AND ALL RIGHTS, PATENT AND OTHERWISE, ARE RESERVED BY SOUTHCO, INC.			