

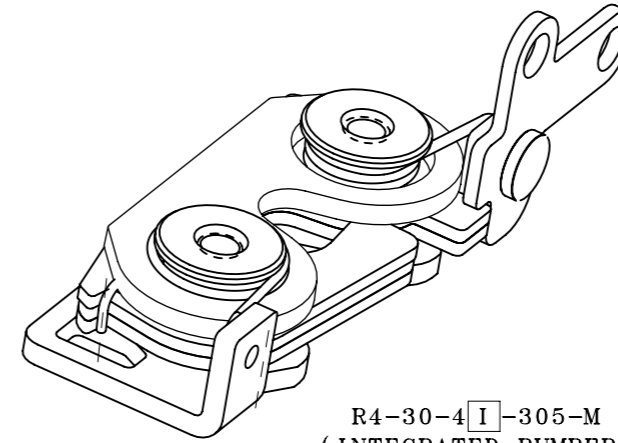
# R4-30-4 I -30 B-M

| REVISION HISTORY |           |        |                 |
|------------------|-----------|--------|-----------------|
| REV              | DATE      | BY     | DESCRIPTION     |
| E                | 18SEP2023 | ASC/VK | PRN: P2023-1747 |

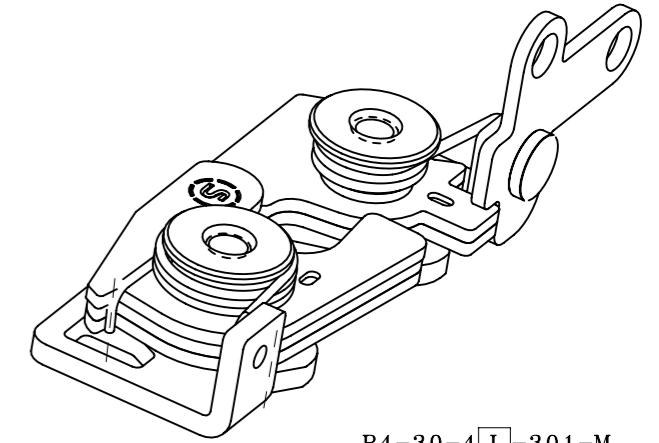
**I** MOUNTING OPTION  
 0 6.7 mm THRU HOLE  
 1 1/4-20 THREAD  
 2 M6 THREAD

**B** LATCHING  
 1 STANDARD  
 5 INTEGRATED BUMPER

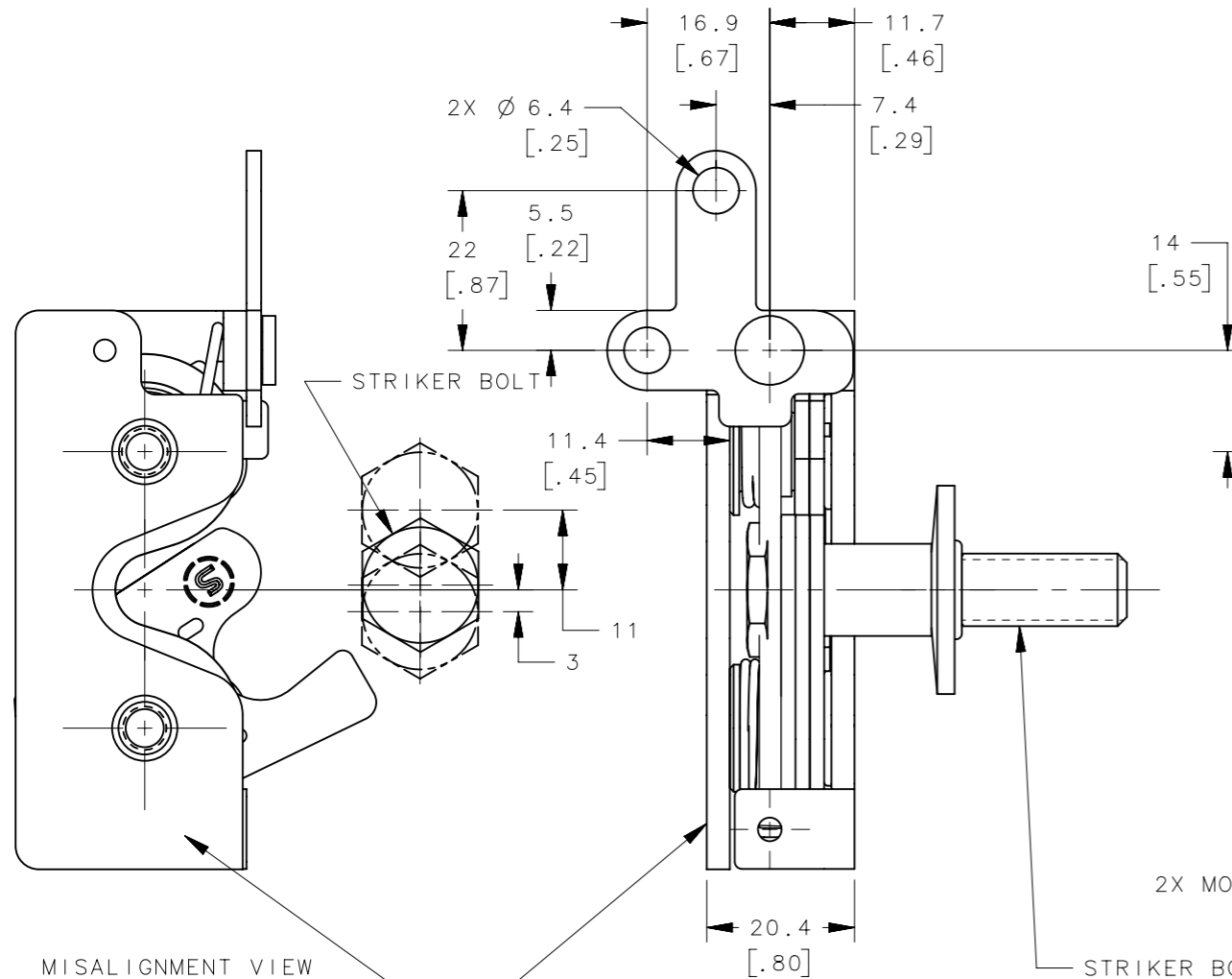
**M** MATERIAL  
 10 STEEL, ZINC PLATED  
 15 STEEL, BLACK ZINC NICKEL PLATED  
 77 STEEL, ZINC NICKEL PLATED



R4-30-4 I-305-M  
(INTEGRATED BUMPER)

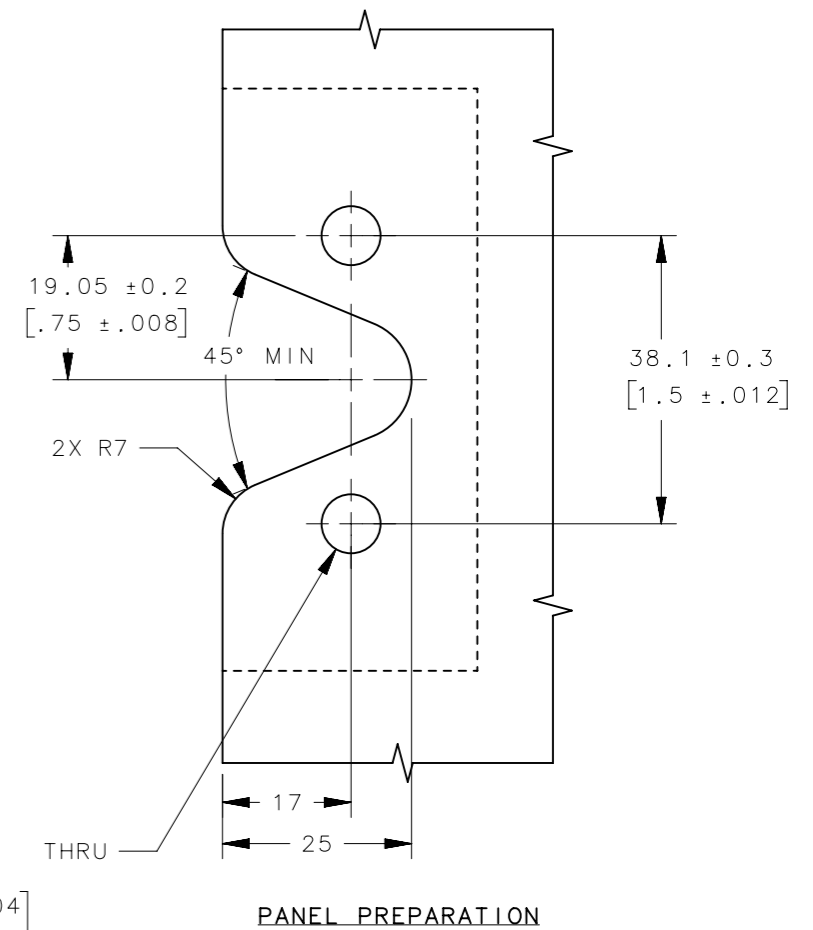


R4-30-4 I-301-M  
(STANDARD)



2X MOUNTING HOLES

STRIKER BOLT ASSEMBLY (SOLD SEPARATELY)  
SEE J-R4-90-321 FOR DETAILS



NOTES:

A. MATERIAL AND FINISH:

- HOUSING, LEVER AND INTERNAL COMPONENTS: STEEL
- PAWL AND TRIGGER: HARDENED STEEL,
- SPRING: STAINLESS STEEL, PASSIVATED

B. THE MISALIGNMENT VIEW ASSUMES THE LATCH IS CONNECTED TO A PERFECTLY RIGID DOOR AND HINGE; THEREFORE, THERE IS NO DOOR AND/OR HINGE SLACK ASSOCIATED WITH THESE DIMENSIONS, THE MISALIGNMENT VIEW DOES NOT TAKE FLEXING OF THE STRIKER BOLT INTO ACCOUNT.

|   |  |  |                   |  |                 |
|---|--|--|-------------------|--|-----------------|
| THIRD ANGLE PROJECTION                                    |  |  |                   | <b>southco</b> <sup>®</sup><br>CONNECT · CREATE · INNOVATE |                 |
| MILLIMETERS [IN]  |  |  |                   |  |                 |
| TOLERANCES UNLESS OTHERWISE NOTED                         |  | DESCRIPTION<br>R4 LATCH ASSEMBLY - TWO POINT LEFT HAND ACTUATION |                   |  |                 |
| ALL DIMENSIONS WITHOUT TOLERANCES ARE FOR REFERENCE ONLY. |  | SIZE<br>A3   | SYSTEM<br>NX      | DWG NO.<br>J-R4-30-40-301                                  |                 |
| PER ASME Y14.5M-1994                                      |  | DRAWN BY<br>ACH/CMS  | DATE<br>18JUN2013 | SCALE<br>1:1   | SHEET<br>1 OF 1 |