

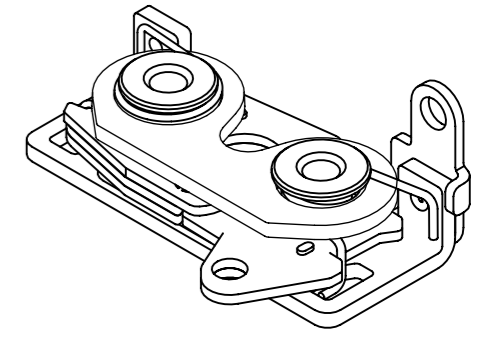
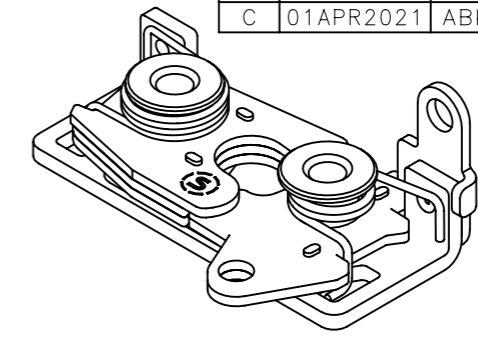
R4-30-3 I -70 B-M

REVISION HISTORY			
REV	DATE	BY	DESCRIPTION
C	01APR2021	ABK/VK	PRN: P2021-0645

I MOUNTING OPTION
 0 6.7 mm THRU HOLE
 1 1/4-20 THREAD
 2 M6 THREAD

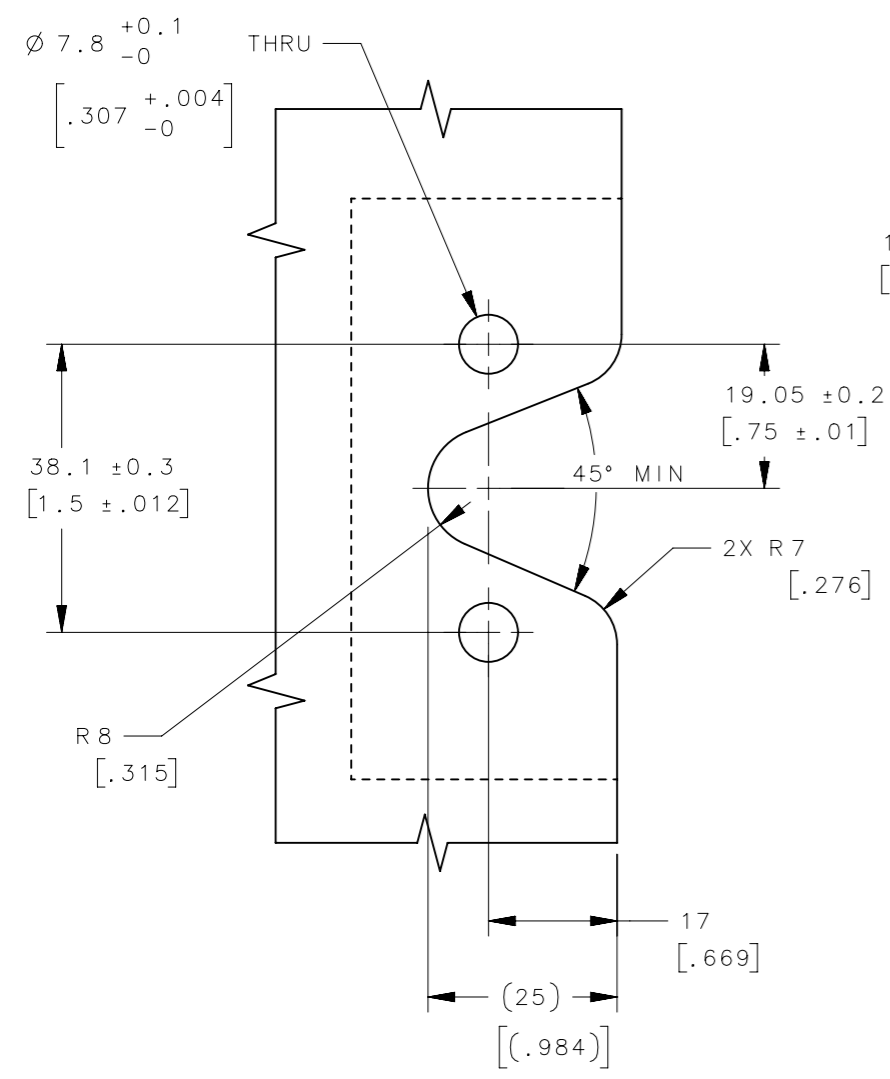
B LATCHING
 1 STANDARD
 5 INTEGRATED BUMPER

M MATERIAL
 10 STEEL, ZINC PLATED
 15 STEEL, BLACK ZINC NICKEL PLATED
 77 STEEL, ZINC NICKEL PLATED

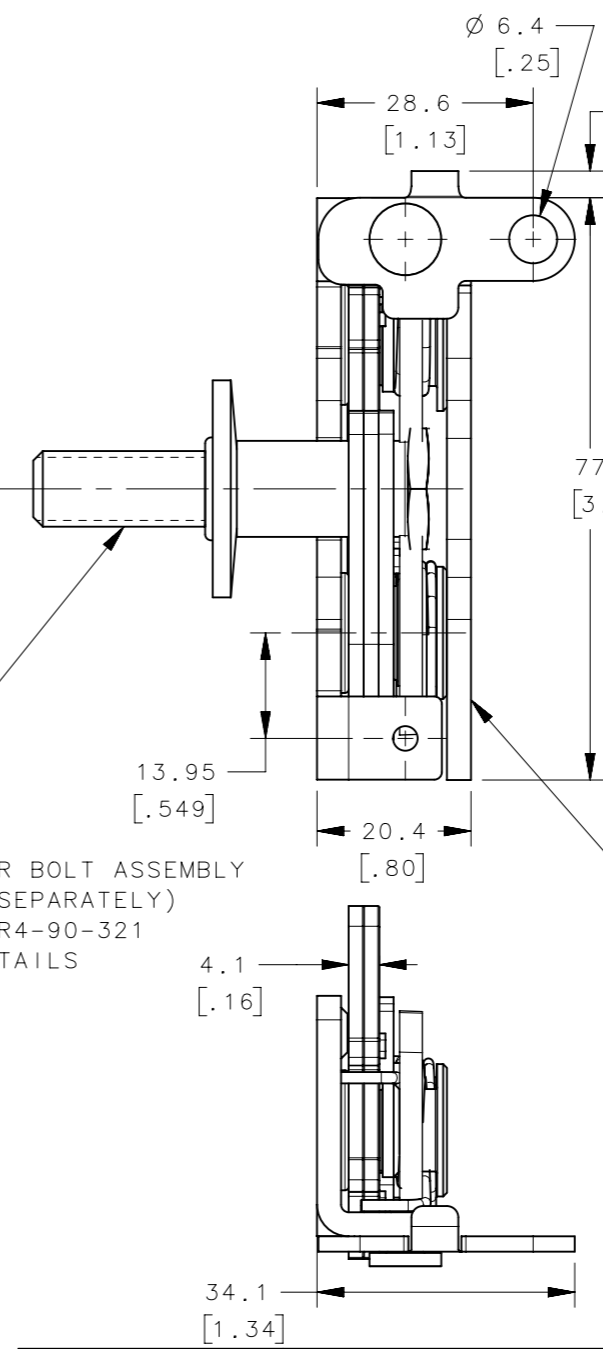
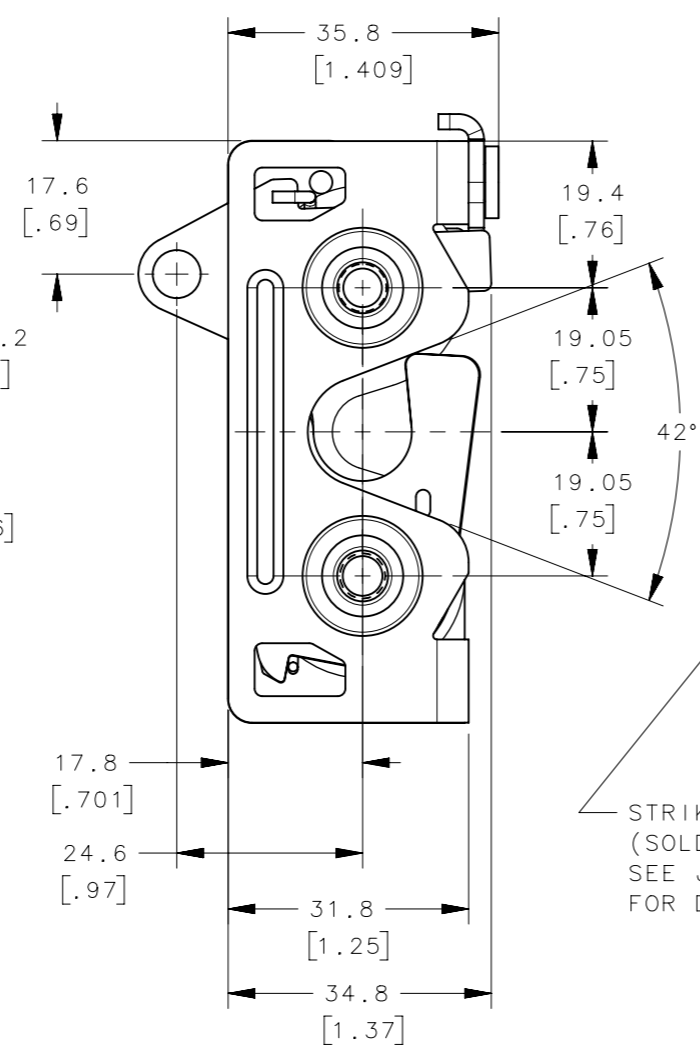


R4-30-3 I-701-M
(STANDARD)

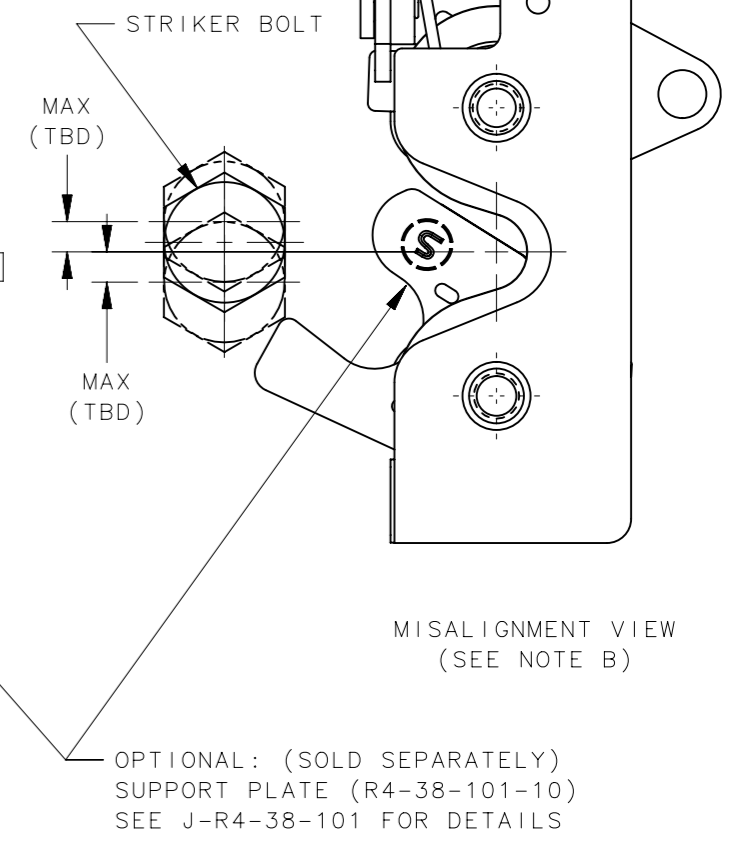
R4-30-3 I-705-M
(INTEGRATED BUMPER)



PANEL PREPARATION



STRIKER BOLT ASSEMBLY
(SOLD SEPARATELY)
SEE J-R4-90-321
FOR DETAILS



MISALIGNMENT VIEW
(SEE NOTE B)

OPTIONAL: (SOLD SEPARATELY)
SUPPORT PLATE (R4-38-101-10)
SEE J-R4-38-101 FOR DETAILS

NOTES:
A. MATERIAL AND FINISH:

- HOUSING, LEVER AND INTERNAL COMPONENTS: STEEL
- PAWL AND TRIGGER: HARDENED STEEL,
- SPRING: STAINLESS STEEL, PASSIVATED

B. THE MISALIGNMENT VIEW ASSUMES THE LATCH IS CONNECTED TO A PERFECTLY RIGID DOOR AND HINGE; THEREFORE, THERE IS NO DOOR AND/OR HINGE SLACK ASSOCIATED WITH THESE DIMENSIONS, THE MISALIGNMENT VIEW DOES NOT TAKE FLEXING OF THE STRIKER BOLT INTO ACCOUNT.

THIRD ANGLE PROJECTION			
MILLIMETERS [IN]			
TOLERANCES UNLESS OTHERWISE NOTED		DESCRIPTION	
ALL DIMENSIONS WITHOUT TOLERANCES ARE FOR REFERENCE ONLY.		R4 LATCH ASSEMBLY - DUAL TRIGGER RIGHT HAND ACTUATION	
PROPRIETARY ITEM		SIZE	SYSTEM
EXCEPT FOR USES EXPRESSLY GRANTED IN WRITING, INFORMATION DISCLOSED HEREON IS CONFIDENTIAL AND ALL RIGHTS, PATENT AND OTHERWISE, ARE RESERVED BY SOUTHCO, INC.		A3	NX
PER ASME Y14.5M-1994		DWG NO.	J-R4-30-30-701
DRAWN BY		DATE	SCALE
RMO		06JAN2017	1:1
SHEET		1 OF 1	