

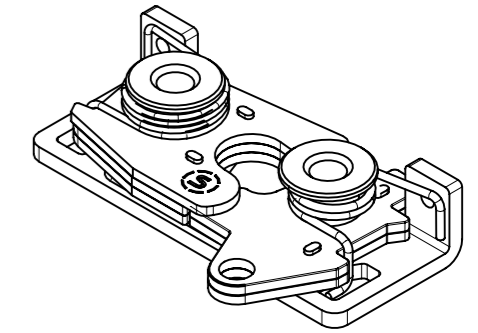
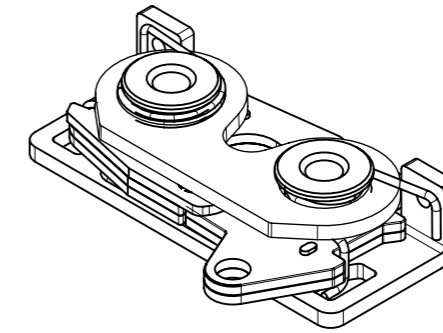
R4-30-3 I -50 B-M

REVISION HISTORY			
REV	DATE	BY	DESCRIPTION
F	30APR2021	ABK/VK	PRN: P2021-0855

- I MOUNTING OPTION**
- 0 6.7 mm THRU HOLE
 - 1 1/4-20 THREAD
 - 2 M6 THREAD

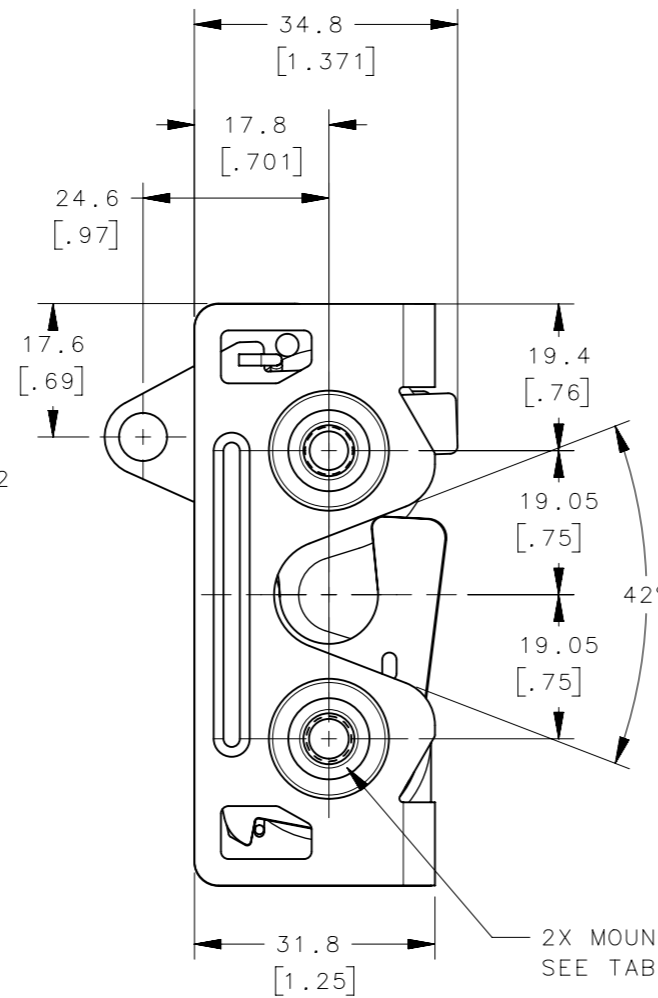
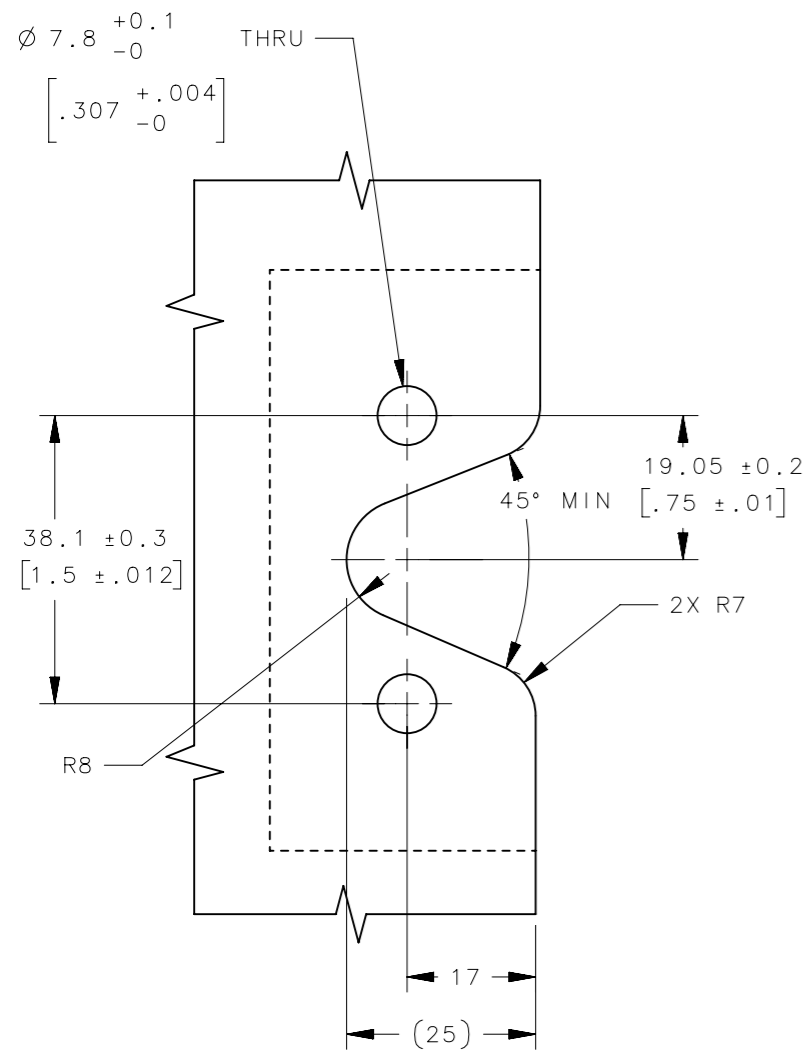
- B BASE STYLE**
- 1 STANDARD
 - 2 INTEGRATED CABLE BRACKET LONG (SEE SHEET 2)
 - 3 INTEGRATED CABLE BRACKET SHORT (SEE SHEET 2)
 - 5 INTEGRATED BUMPER
 - 6 INTEGRATED BUMPER & CABLE BRACKET LONG (SEE SHEET 2)
 - 7 INTEGRATED BUMPER & CABLE BRACKET SHORT (SEE SHEET 2)

- M MATERIAL**
- 10 STEEL, ZINC PLATED
 - 15 STEEL, BLACK ZINC NICKEL PLATED
 - 77 STEEL, ZINC NICKEL PLATED

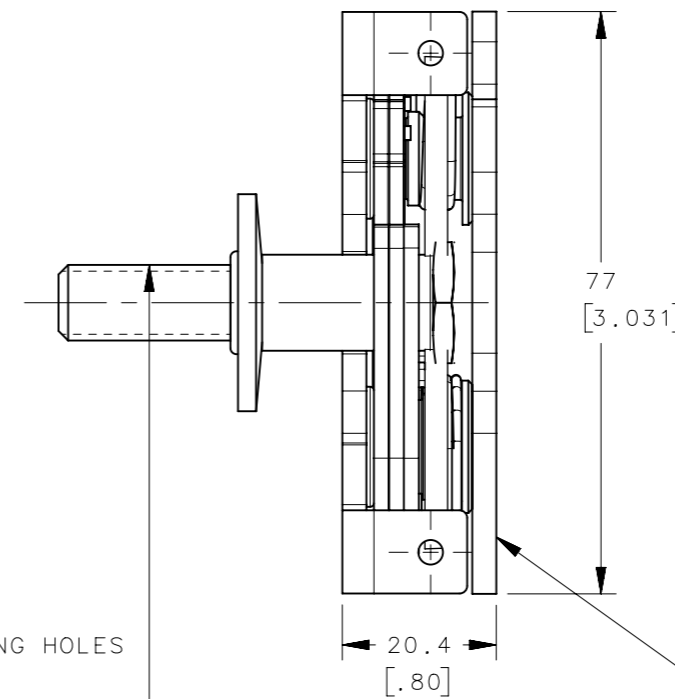
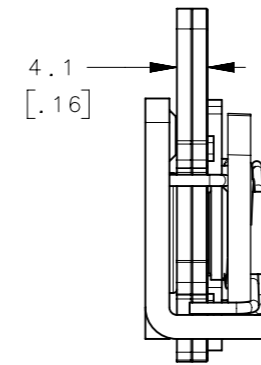


R4-30-3 I-501-M
(INTEGRATED BUMPER)
SCALE 3:4

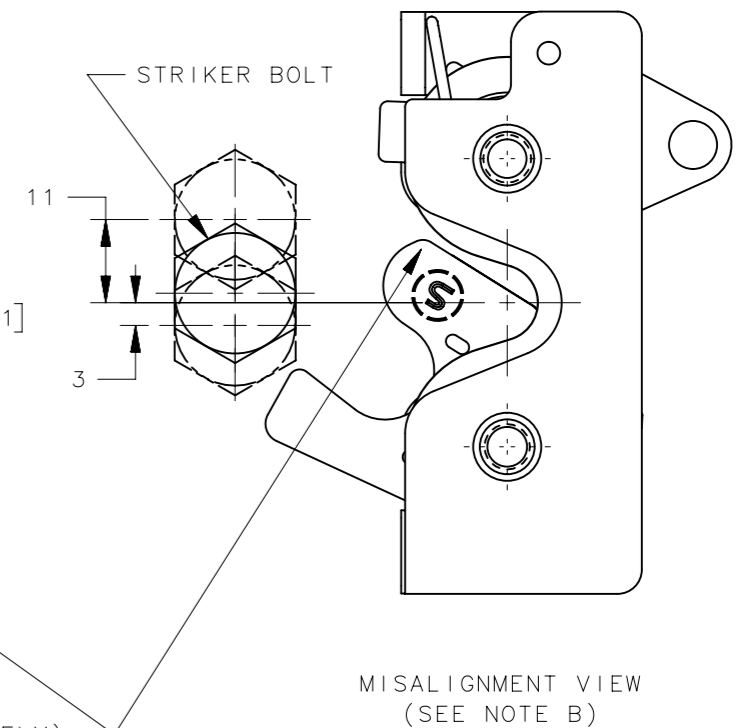
R4-30-3 I-501-M
(STANDARD)
SCALE 3:4



STRIKER BOLT ASSEMBLY
(SOLD SEPARATELY)
SEE J-R4-90-321
FOR DETAILS



OPTIONAL: (SOLD SEPARATELY)
SUPPORT PLATE (R4-38-101-10)
SEE J-R4-38-101 FOR DETAILS



NOTES:

A. MATERIAL AND FINISH:

- HOUSING, LEVER, BRACKET AND INTERNAL COMPONENTS: STEEL
- PAWL AND TRIGGER: HARDENED STEEL,
- SPRING: STAINLESS STEEL, PASSIVATED

B. THE MISALIGNMENT VIEW ASSUMES THE LATCH IS CONNECTED TO A PERFECTLY RIGID DOOR AND HINGE; THEREFORE, THERE IS NO DOOR AND/OR HINGE SLACK ASSOCIATED WITH THESE DIMENSIONS, THE MISALIGNMENT VIEW DOES NOT TAKE FLEXING OF THE STRIKER BOLT INTO ACCOUNT.

THIRD ANGLE PROJECTION		 CONNECT • CREATE • INNOVATE	
MILLIMETERS [IN]			
TOLERANCES UNLESS OTHERWISE NOTED		DESCRIPTION	
ALL DIMENSIONS WITHOUT TOLERANCES ARE FOR REFERENCE ONLY.		R4 LATCH ASSEMBLY - BOTTOM PULLBACK RIGHT HAND ACTUATION	
PER ASME Y14.5M-1994		SIZE	DWG NO.
		A3	NX
		DATE	SCALE
		18JUN2013	1:1
		DRAWN BY	SHEET
		ACH/RJB	1 OF 2

6

5

4

3

2

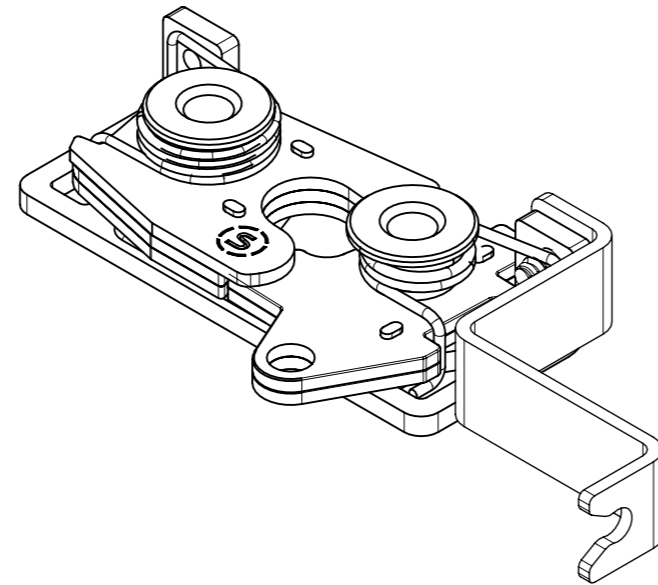
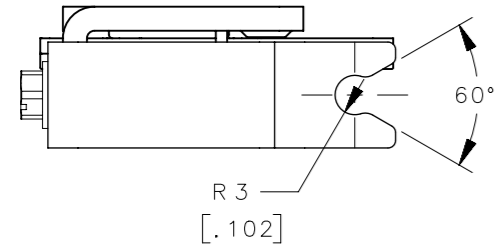
1

REVISION HISTORY

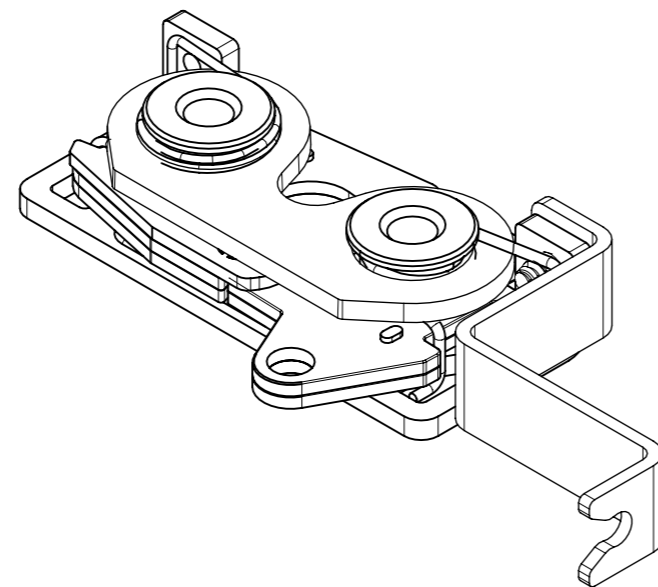
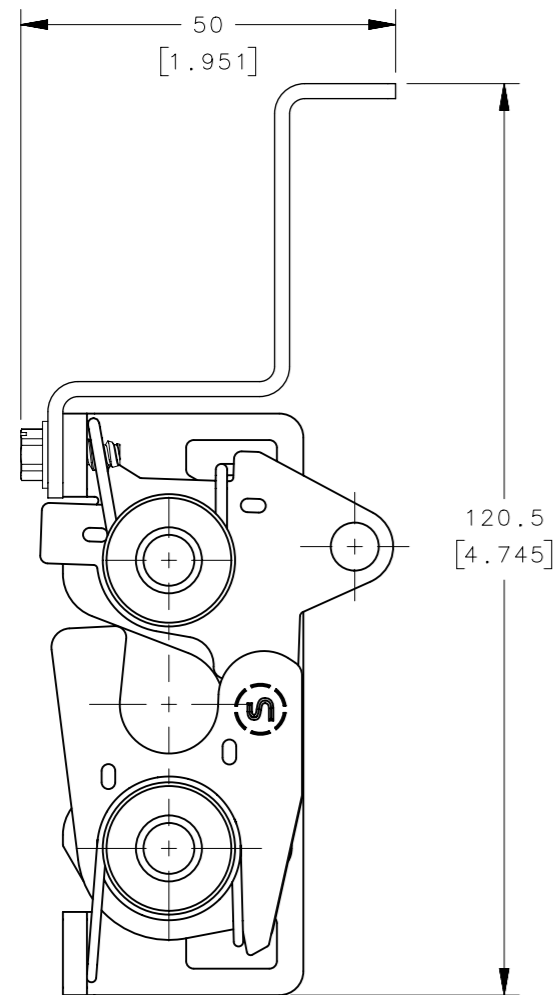
REV	DATE	BY	DESCRIPTION
F	30APR2021	ABK/VK	PRN: P2021-0855

LONG BRACKET

TO MOUNT CABLE WITH SPRING ON ROTARY LATCH END



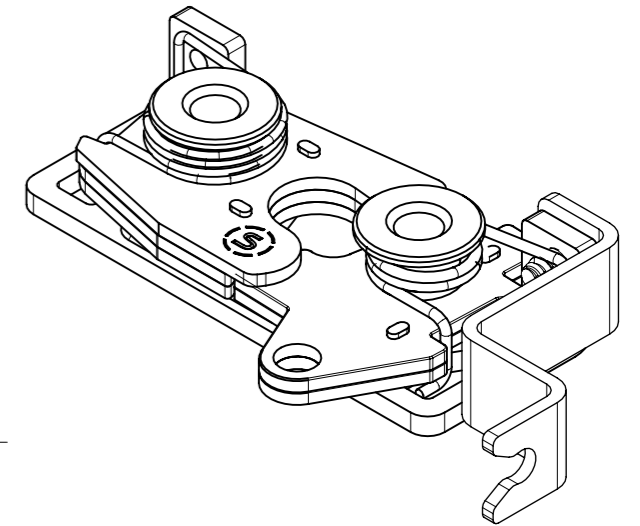
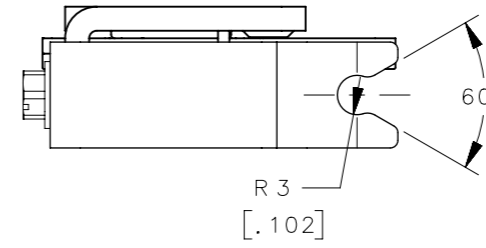
R4-30-31-502-M
(INTEGRATED LONG BRACKET)



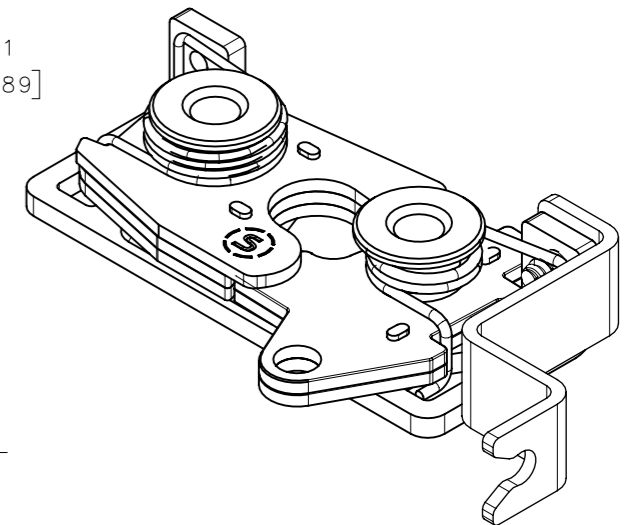
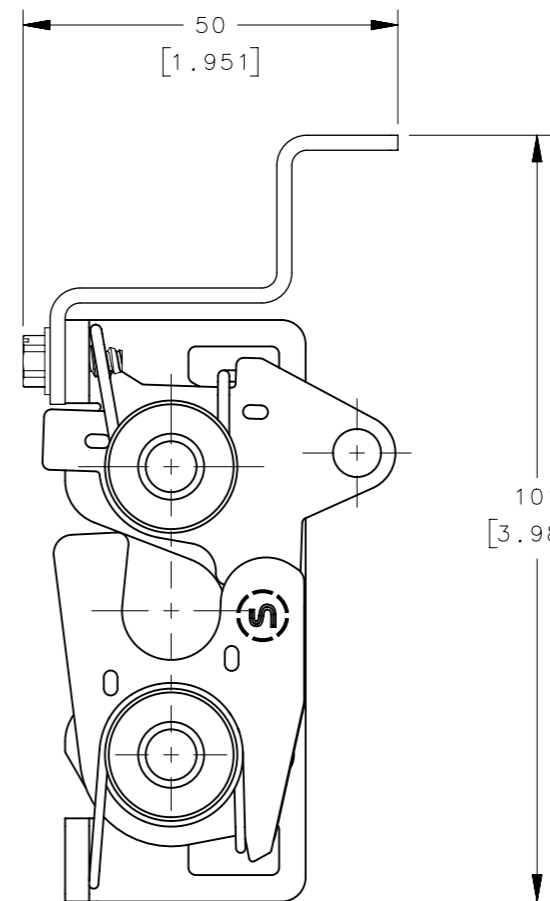
R4-30-31-506-M
(INTEGRATED LONG BRACKET & BUMPER)

SHORT BRACKET

TO MOUNT CABLE WITH NO SPRING ON ROTARY LATCH END



R4-30-31-503-M
(INTEGRATED SHORT BRACKET)



R4-30-31-507-M
(INTEGRATED SHORT BRACKET & BUMPER)

CPB NUMBER 2013-XXXX	THIRD ANGLE PROJECTION	southco [®] CONNECT • CREATE • INNOVATE	
	MILLIMETERS [IN]		
SURFACE AREA XXXXXmm ²	TOLERANCES UNLESS OTHERWISE NOTED	DESCRIPTION R4 LATCH ASSEMBLY - BOTTOM PULLBACK RIGHT HAND ACTUATION	
VOLUME XXXXXmm ³	ALL DIMENSIONS WITHOUT TOLERANCES ARE FOR REFERENCE ONLY.	SIZE A3	SYSTEM NX
PROPRIETARY ITEM	PER ASME Y14.5M-1994	DWG NO. J-R4-30-30-501	SCALE 1:1
EXCEPT FOR USES EXPRESSLY GRANTED IN WRITING, INFORMATION DISCLOSED HEREON IS CONFIDENTIAL AND ALL RIGHTS, PATENT AND OTHERWISE, ARE RESERVED BY SOUTHCO, INC.		DRAWN BY ACH/RJB	DATE 18JUNE2013
			SHEET 2 OF 2

6

5

4

3

2

1