

R4-30-2 I -50 B-M

REVISION HISTORY			
REV	DATE	BY	DESCRIPTION
E	27OCT2022	JTT/ASM	PRN: P2022-1906

I MOUNTING OPTION

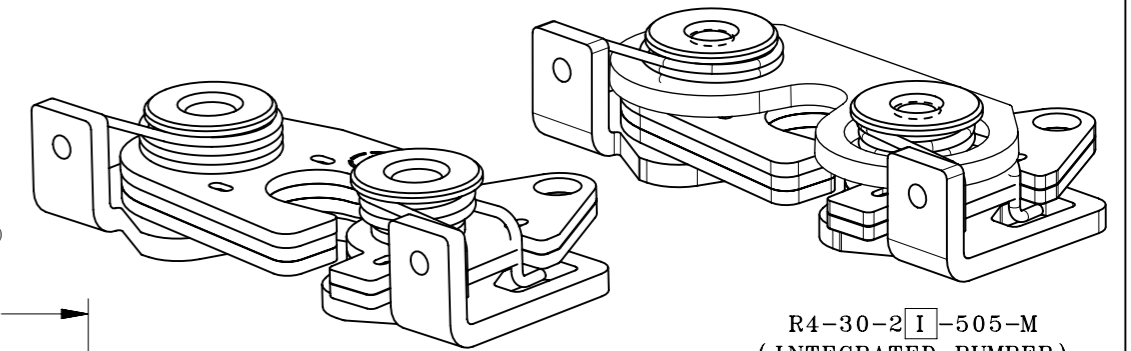
- 0 6.7 mm THRU HOLE
- 1 1/4-20 THREAD
- 2 M6 THREAD

B BASE STYLE

- 1 STANDARD
- 2 INTEGRATED CABLE BRACKET LONG (SEE SHEET 2)
- 3 INTEGRATED CABLE BRACKET SHORT (SEE SHEET 2)
- 5 INTEGRATED BUMPER
- 6 INTEGRATED BUMPER & CABLE BRACKET LONG (SEE SHEET 2)
- 7 INTEGRATED BUMPER & CABLE BRACKET SHORT (SEE SHEET 2)

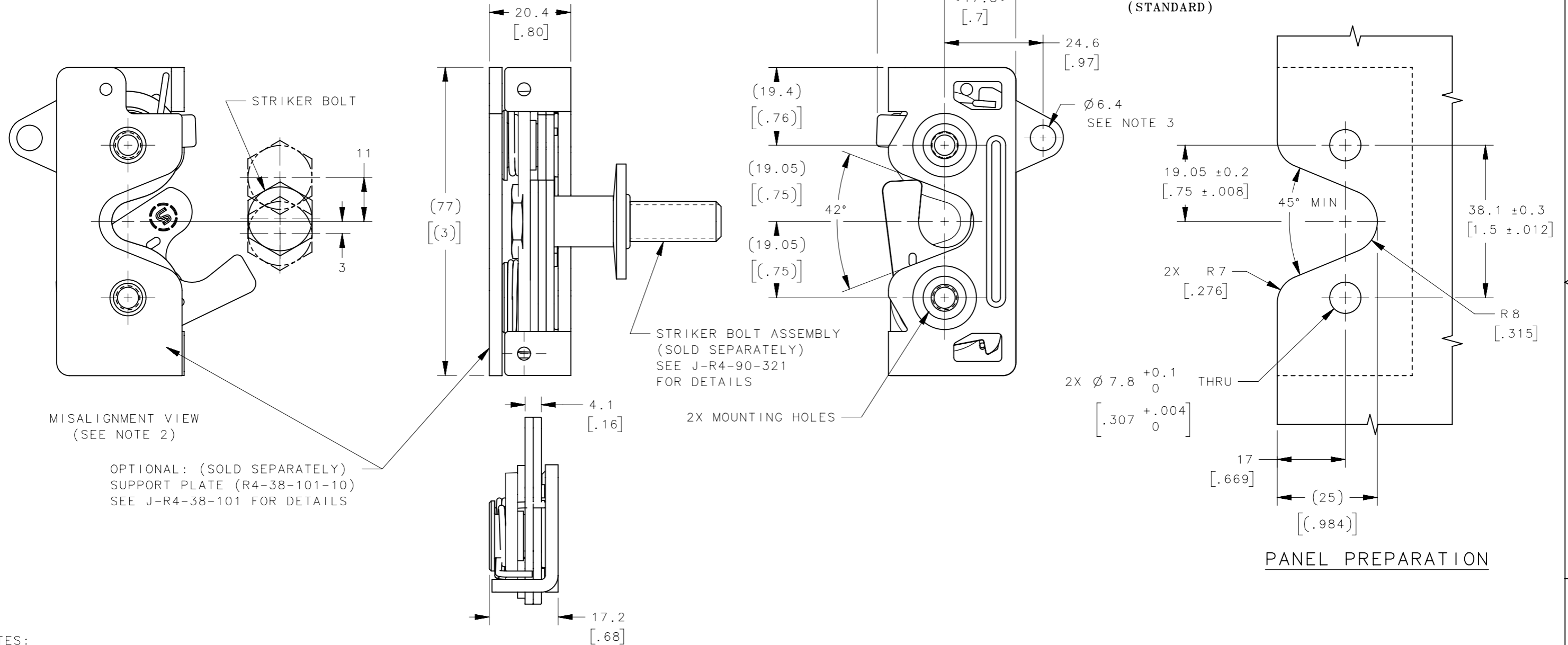
M MATERIAL

- 10 STEEL, ZINC PLATED
- 15 STEEL, BLACK ZINC NICKEL PLATED
- 77 STEEL, ZINC NICKEL PLATED



R4-30-2 I-501-M
(STANDARD)

R4-30-2 I-505-M
(INTEGRATED BUMPER)



PANEL PREPARATION

NOTES:

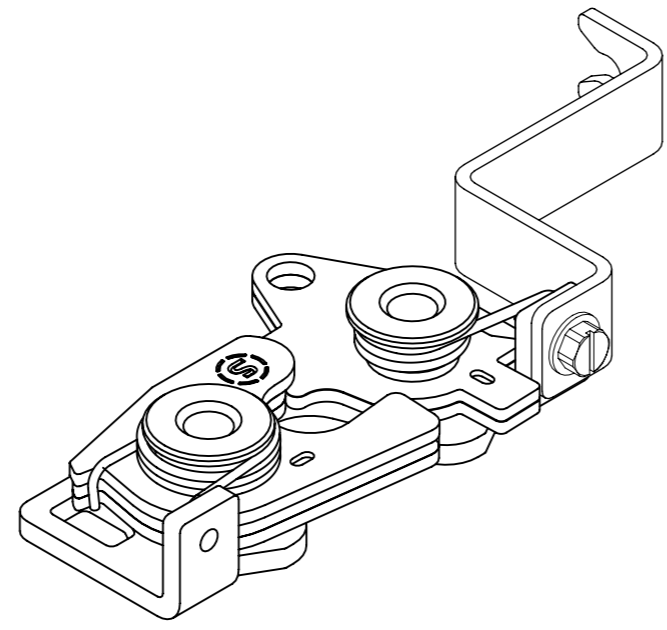
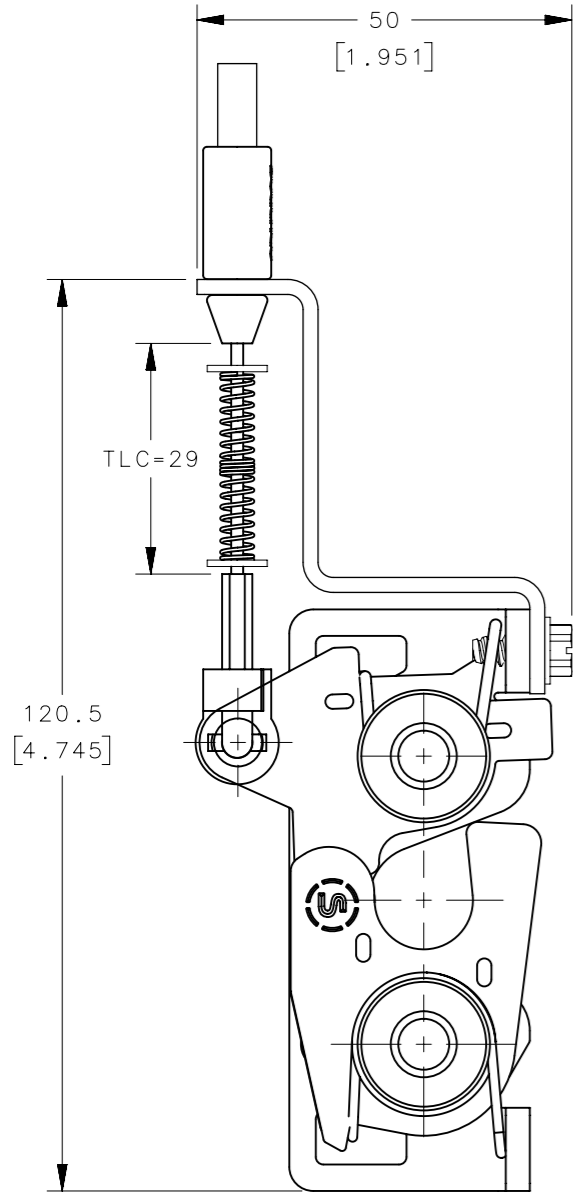
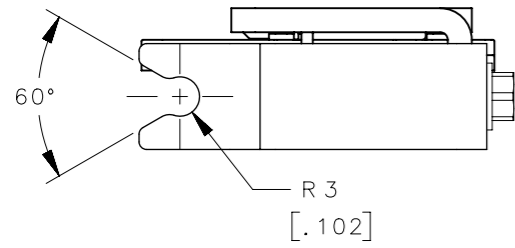
1. MATERIAL AND FINISH:
 - A. HOUSING, LEVER, BRACKET AND INTERNAL COMPONENTS: STEEL
 - B. PAWL AND TRIGGER: HARDENED STEEL
 - C. SPRINGS: STAINLESS STEEL, PASSIVATED
2. THE MISALIGNMENT VIEW ASSUMES THE LATCH IS CONNECTED TO A PERFECTLY RIGID DOOR AND HINGE; THEREFORE, THERE IS NO DOOR AND/OR HINGE SLACK ASSOCIATED WITH THESE DIMENSIONS, THE MISALIGNMENT VIEW DOES NOT TAKE FLEXING OF THE STRIKER BOLT INTO ACCOUNT.
3. FOR CABLE ACTUATION USE LINK RETAINER R4-0-43922-2
4. SAME AS R4-30-4X-501-10 EXCEPT SINGLE STAGE.

THIRD ANGLE PROJECTION						
MILLIMETERS [IN]	DESCRIPTION					
TOLERANCES UNLESS OTHERWISE NOTED	R4 LATCH ASSEMBLY-BOTTOM PULLBACK LH, STEEL, SINGLE STAGE					
ALL DIMENSIONS WITHOUT TOLERANCES ARE FOR REFERENCE ONLY	SIZE	SYSTEM	DWG NO.	DATE		
PER ASME Y14.5M-1994	A3	NX	J-R4-30-20-501-10	11DEC2019		
PROPRIETARY ITEM EXCEPT FOR USES EXPRESSLY GRANTED IN WRITING, INFORMATION DISCLOSED HEREON IS CONFIDENTIAL AND ALL RIGHTS, PATENT AND OTHERWISE, ARE RESERVED BY SOUTHCO, INC.	DRAWN BY	RKS/VK	SCALE	1:1	SHEET	1 OF 2

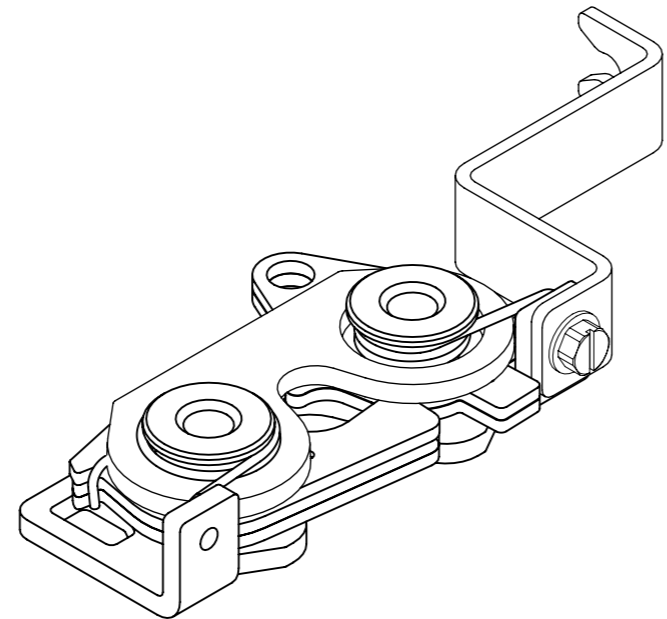
REVISION HISTORY			
REV	DATE	BY	DESCRIPTION
F	27OCT2022	JTT/ASM	PRN: P2022-1906

LONG BRACKET

TO MOUNT CABLE WITH SPRING ON ROTARY LATCH END



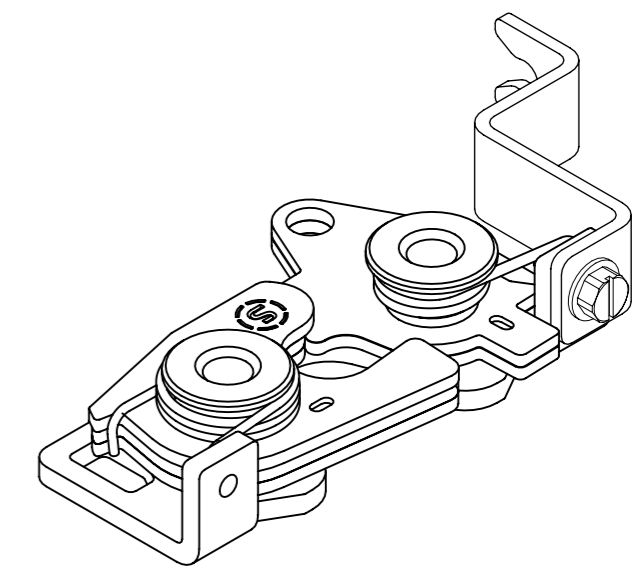
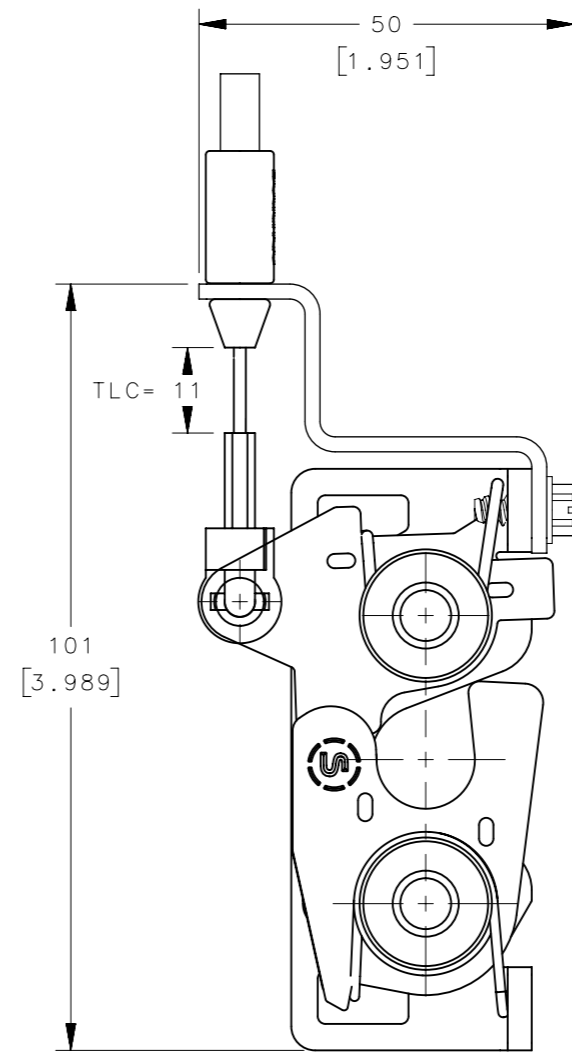
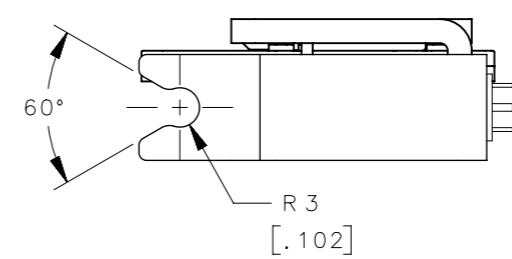
R4-30-21-502-M
(INTEGRATED LONG BRACKET)



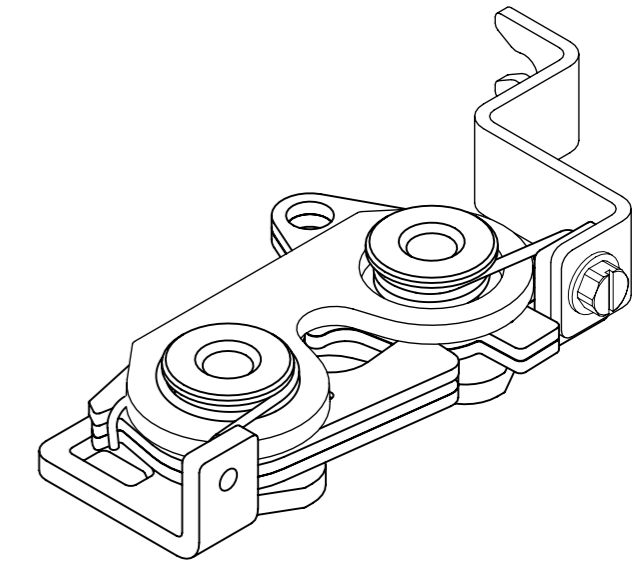
R4-30-21-506-M
(INTEGRATED LONG BRACKET & BUMPER)

SHORT BRACKET

TO MOUNT CABLE WITH NO SPRING ON ROTARY LATCH END



R4-30-21-503-M
(INTEGRATED SHORT BRACKET)



R4-30-21-507-M
(INTEGRATED SHORT BRACKET & BUMPER)

CPB NUMBER	STANDARD	THIRD ANGLE PROJECTION				
		MILLIMETERS [IN]	DESCRIPTION R4 LATCH ASSEMBLY-BOTTOM PULLBACK LH, STEEL, SINGLE STAGE			
SURFACE AREA	XXXXXmm ²	TOLERANCES UNLESS OTHERWISE NOTED				
VOLUME	XXXXXmm ³	ALL DIMENSIONS WITHOUT TOLERANCES ARE FOR REFERENCE ONLY.	SIZE	SYSTEM	DWG NO.	
PROPRIETARY ITEM			A3	NX	J-R4-30-20-501-10	
EXCEPT FOR USES EXPRESSLY GRANTED IN WRITING, INFORMATION DISCLOSED HEREON IS CONFIDENTIAL AND ALL RIGHTS, PATENT AND OTHERWISE, ARE RESERVED BY SOUTHCO, INC.		PER ASME Y14.5M-1994	DRAWN BY	DATE	SCALE	SHEET
			RKS/VK	11DEC2019	1:1	2 OF 2