

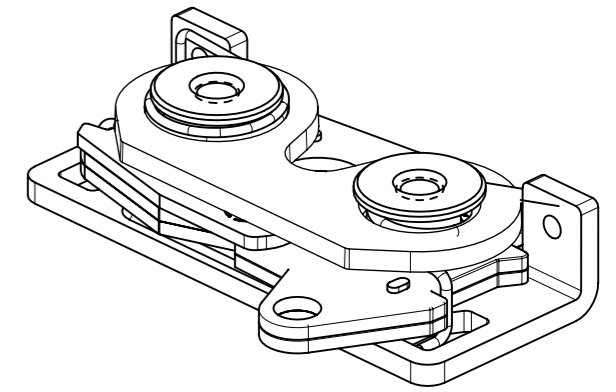
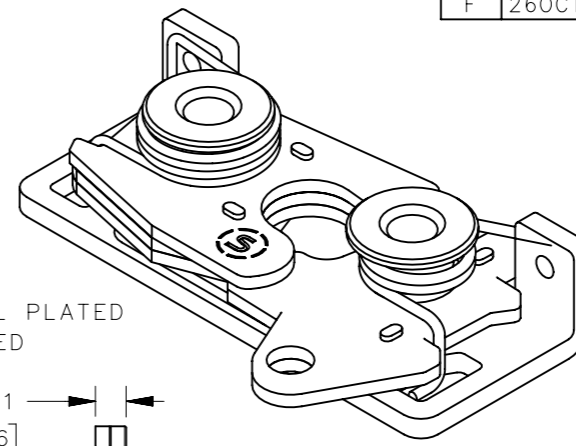
R4-30-1 I -50 B -M

REVISION HISTORY			
REV	DATE	BY	DESCRIPTION
F	26OCT2022	JTT/ASM	PRN: P2022-1906

- I MOUNTING OPTION**
- 0 6.7 mm THRU HOLE
 - 1 1/4-20 THREAD
 - 2 M6 THREAD

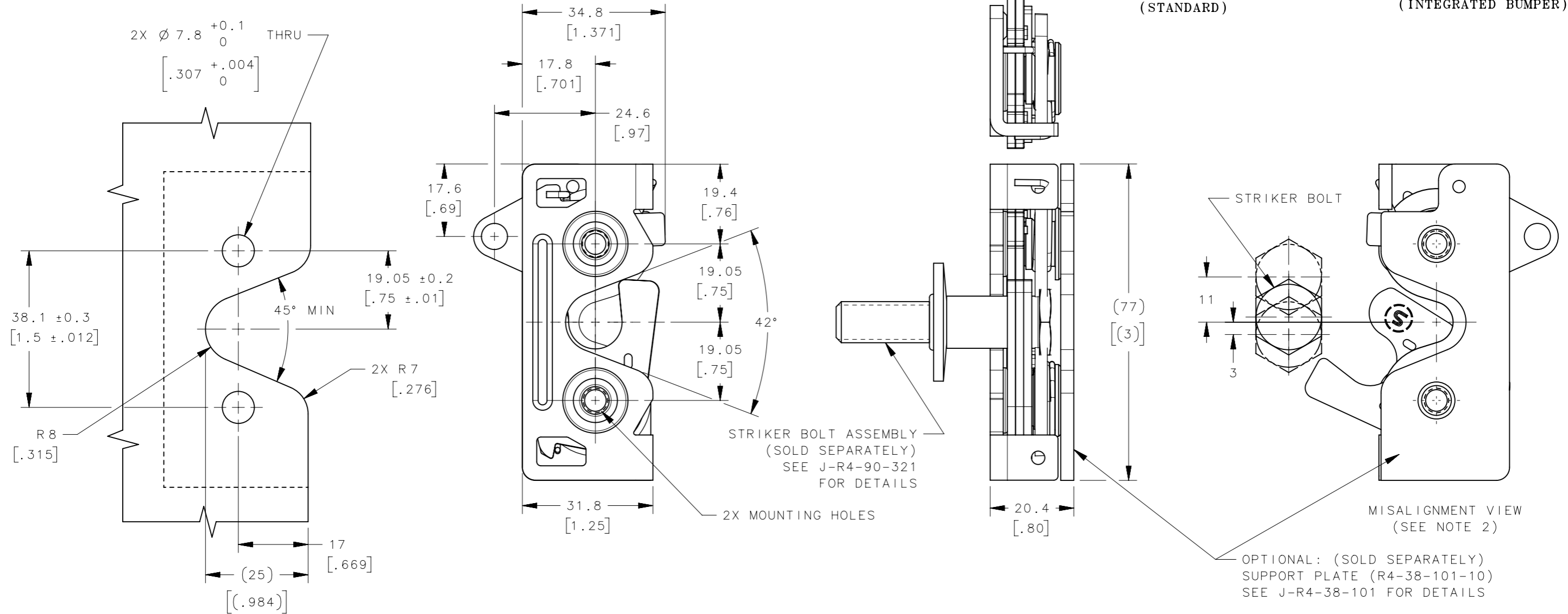
- B BASE STYLE**
- 1 STANDARD
 - 2 INTEGRATED CABLE BRACKET LONG (SEE SHEET 2)
 - 3 INTEGRATED CABLE BRACKET SHORT (SEE SHEET 2)
 - 5 INTEGRATED BUMPER
 - 6 INTEGRATED BUMPER & CABLE BRACKET LONG (SEE SHEET 2)
 - 7 INTEGRATED BUMPER & CABLE BRACKET SHORT (SEE SHEET 2)

- M MATERIAL**
- 10 STEEL, ZINC PLATED
 - 15 STEEL, BLACK ZINC NICKEL PLATED
 - 77 STEEL, ZINC NICKEL PLATED



R4-30-1I-501-M
(STANDARD)

R4-30-1I-505-M
(INTEGRATED BUMPER)



PANEL PREPARATION

NOTES:

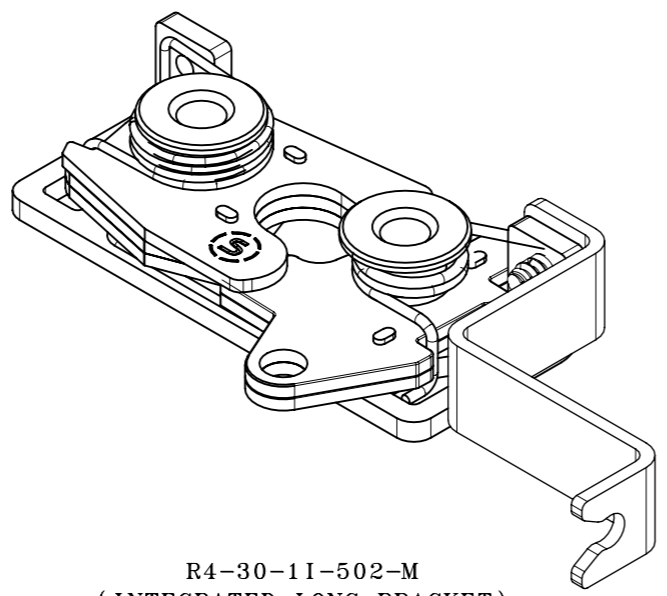
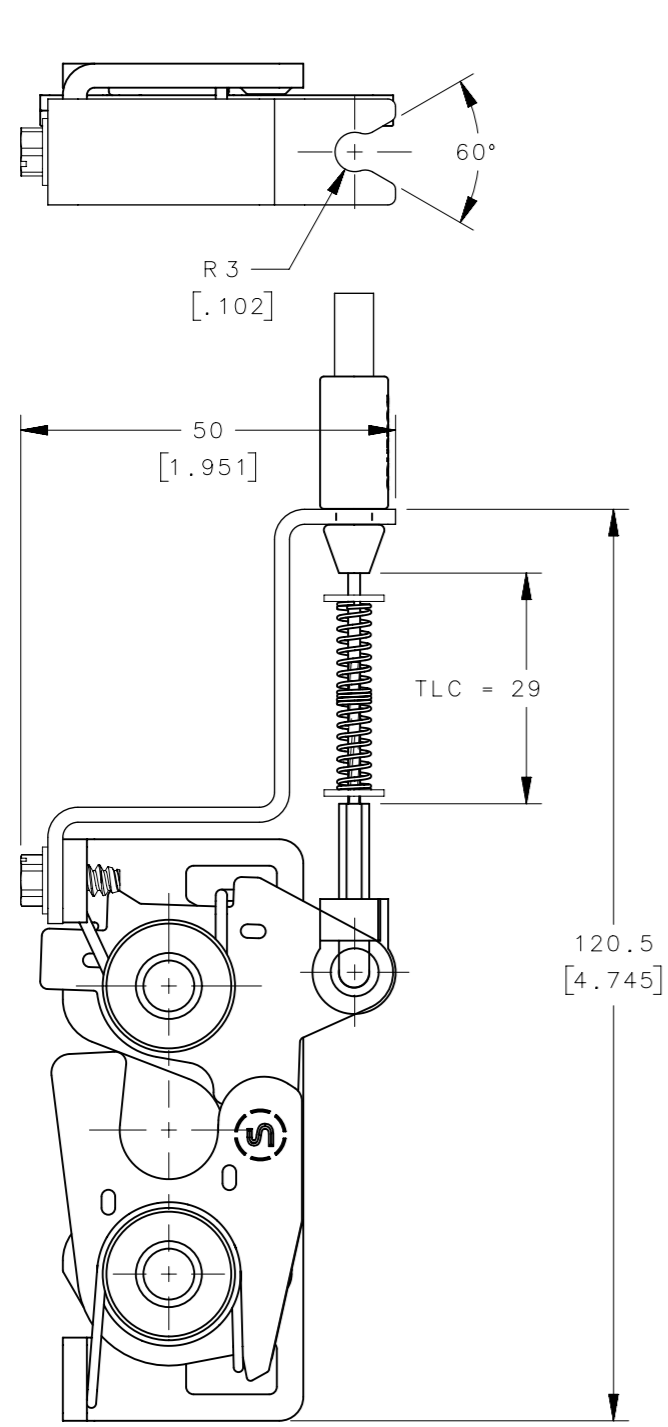
1. MATERIAL AND FINISH:
 - A. HOUSING, LEVER, BRACKET AND INTERNAL COMPONENTS: STEEL
 - B. PAWL AND TRIGGER: HARDENED STEEL
 - C. SPRINGS: STAINLESS STEEL, PASSIVATED
2. THE MISALIGNMENT VIEW ASSUMES THE LATCH IS CONNECTED TO A PERFECTLY RIGID DOOR AND HINGE; THEREFORE, THERE IS NO DOOR AND/OR HINGE SLACK ASSOCIATED WITH THESE DIMENSIONS, THE MISALIGNMENT VIEW DOES NOT TAKE FLEXING OF THE STRIKER BOLT INTO ACCOUNT.
3. SAME AS R4-30-3X-501-10 EXCEPT SINGLE STAGE.

THIRD ANGLE PROJECTION				southco [®] CONNECT · CREATE · INNOVATE	
MILLIMETERS [IN]					
TOLERANCES UNLESS OTHERWISE NOTED		DESCRIPTION			
ALL DIMENSIONS WITHOUT TOLERANCES ARE FOR REFERENCE ONLY		R4 LATCH ASSEMBLY-BOTTOM PULLBACK RH, STEEL, SINGLE STAGE			
PROPRIETARY ITEM		SIZE	SYSTEM	DWG NO.	
EXCEPT FOR USES EXPRESSLY GRANTED IN WRITING, INFORMATION DISCLOSED HEREON IS CONFIDENTIAL AND ALL RIGHTS, PATENT AND OTHERWISE, ARE RESERVED BY SOUTHCO, INC.		A3	NX	J-R4-30-10-501-10	
PER ASME Y14.5M-1994		DRAWN BY	DATE	SCALE	SHEET
		RKS/VK	11DEC2019	1:1	1 OF 2

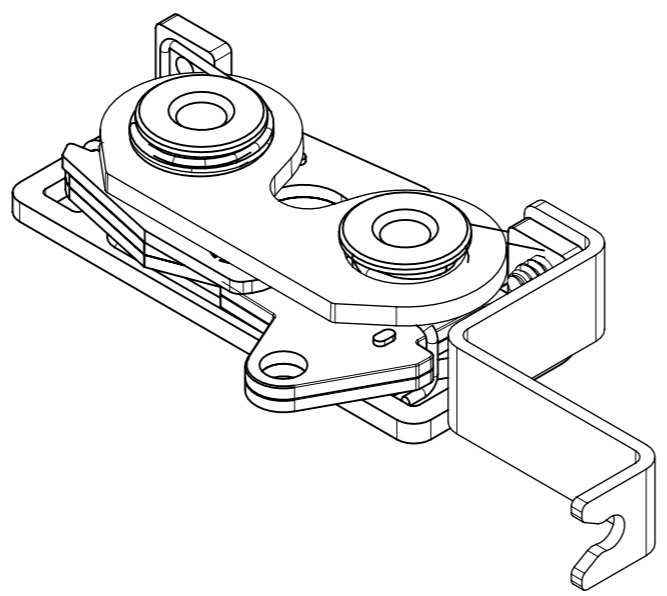
REVISION HISTORY			
REV	DATE	BY	DESCRIPTION
F	26OCT2022	JTT/ASM	PRN: P2022-1906

LONG BRACKET

TO MOUNT CABLE WITH SPRING ON ROTARY LATCH END



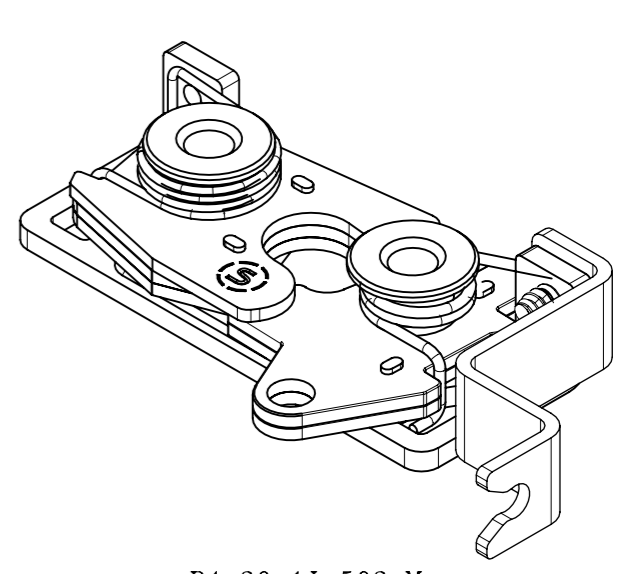
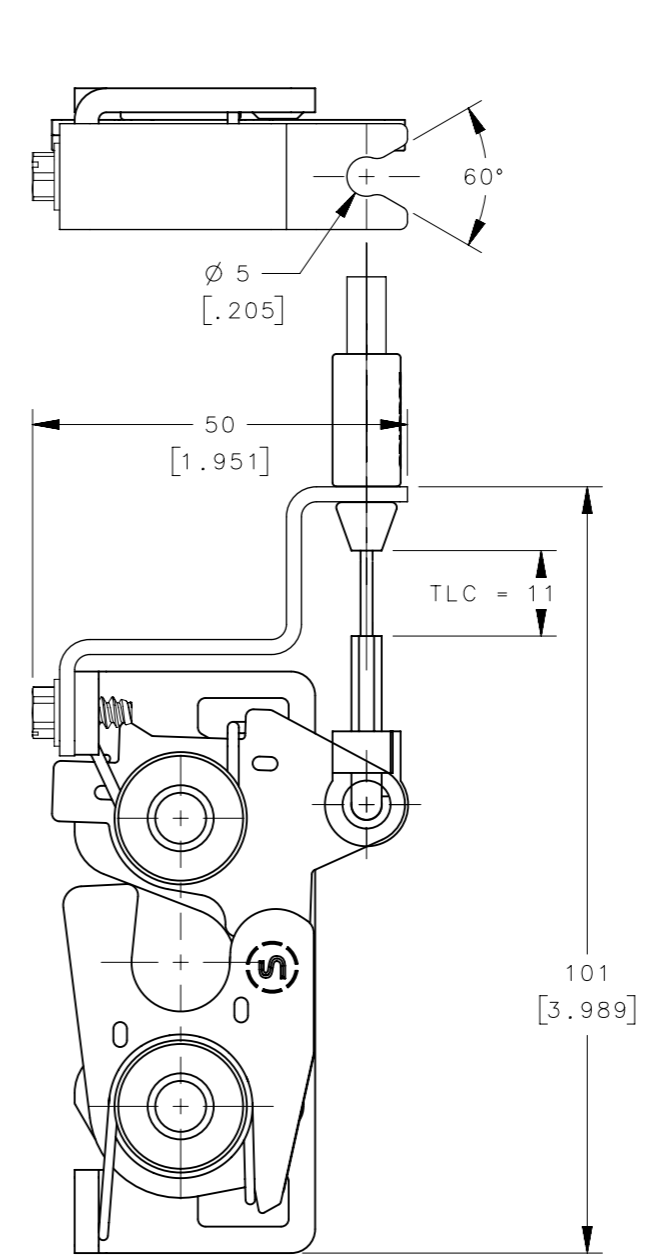
R4-30-11-502-M
(INTEGRATED LONG BRACKET)



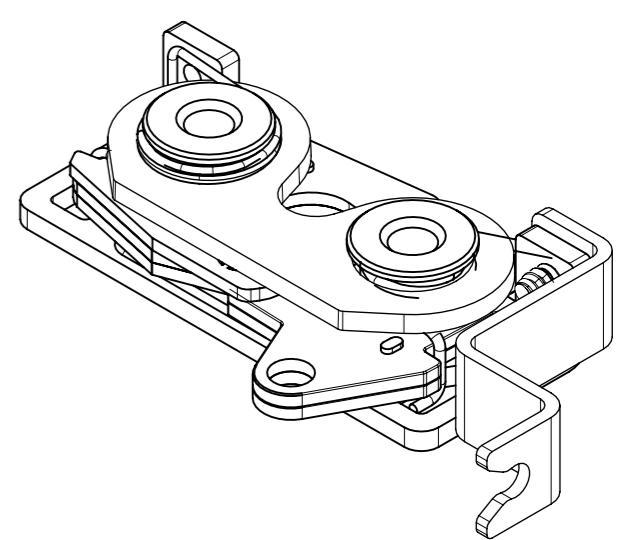
R4-30-11-506-M
(INTEGRATED LONG BRACKET & BUMPER)

SHORT BRACKET


TO MOUNT CABLE WITH NO SPRING ON ROTARY LATCH END



R4-30-11-503-M
(INTEGRATED SHORT BRACKET)



R4-30-11-507-M
(INTEGRATED SHORT BRACKET & BUMPER)

CPB NUMBER	STANDARD	THIRD ANGLE PROJECTION	 CONNECT • CREATE • INNOVATE	
		MILLIMETERS [IN]		
SURFACE AREA	TOLERANCES UNLESS OTHERWISE NOTED		DESCRIPTION	
VOLUME	ALL DIMENSIONS WITHOUT TOLERANCES ARE FOR REFERENCE ONLY.		R4 LATCH ASSEMBLY-BOTTOM PULLBACK RH, STEEL, SINGLE STAGE	
PROPRIETARY ITEM	SIZE	SYSTEM	DWG NO.	
EXCEPT FOR USES EXPRESSLY GRANTED IN WRITING, INFORMATION DISCLOSED HEREON IS CONFIDENTIAL AND ALL RIGHTS, PATENT AND OTHERWISE, ARE RESERVED BY SOUTHCO, INC.	A3	NX	J-R4-30-10-501-10	
	PER ASME Y14.5M-1994	DRAWN BY	DATE	SCALE
		RKS/VK	11DEC2019	1:1
				SHEET 2 OF 2