

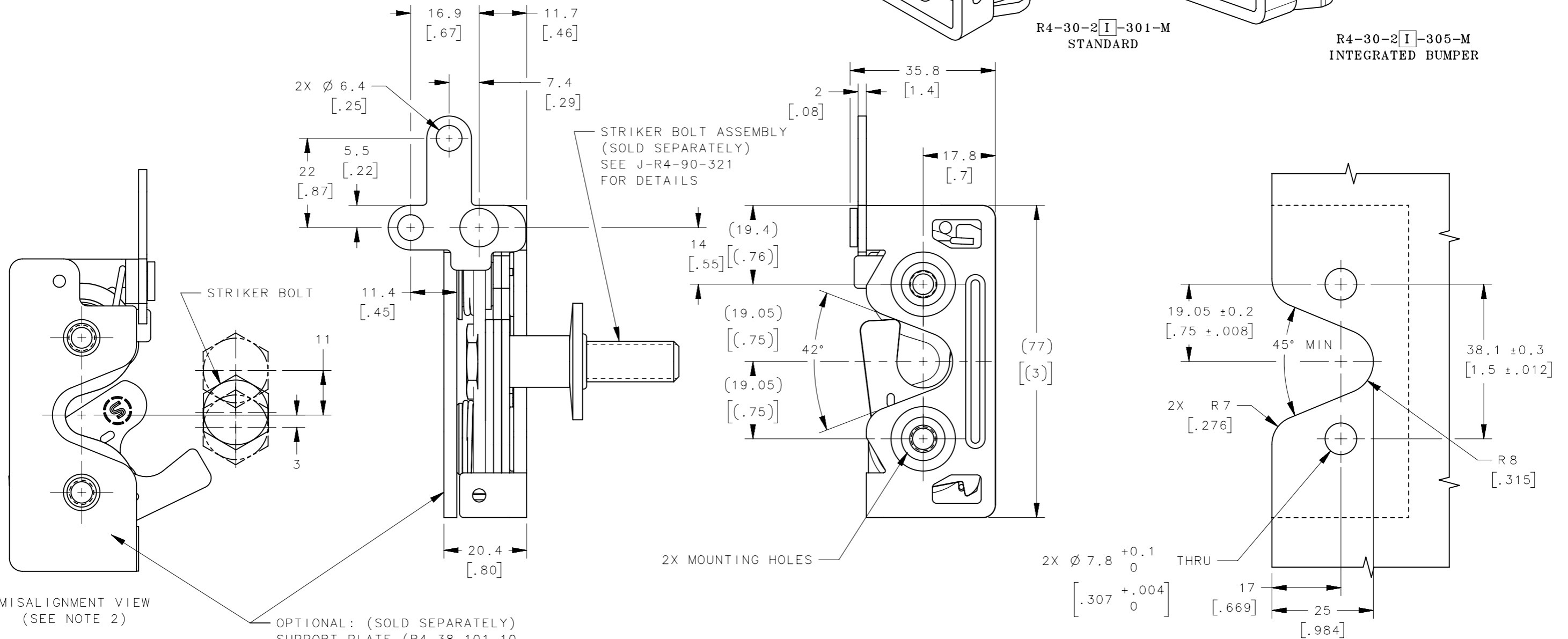
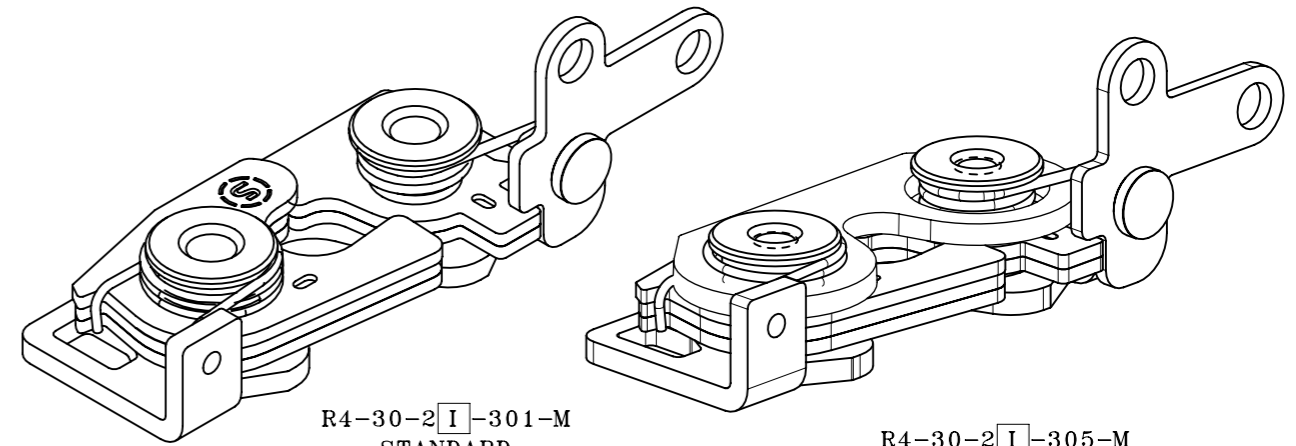
R4-30-2 I -30 B-M

REVISION HISTORY			
REV	DATE	BY	DESCRIPTION
C	31MAR2021	ABK/VK	PRN: P2021-0640

I MOUNTING OPTION
 0 6.7 mm THRU HOLE
 1 1/4-20 THREAD
 2 M6 THREAD

B LATCHING
 1 STANDARD
 5 INTEGRATED BUMPER

M MATERIAL
 10 STEEL, ZINC PLATED
 15 STEEL, BLACK ZINC NICKEL PLATED
 77 STEEL, ZINC NICKEL PLATED



MISALIGNMENT VIEW
(SEE NOTE 2)

OPTIONAL: (SOLD SEPARATELY)
 SUPPORT PLATE (R4-38-101-10)
 SEE J-R4-38-101 FOR DETAILS

PANEL PREPARATION

- NOTES:
- MATERIAL AND FINISH:**
 A. HOUSING, LEVER AND INTERNAL COMPONENTS: STEEL
 B. PAWL AND TRIGGER: HARDENED STEEL
 C. SPRINGS: STAINLESS STEEL, PASSIVATED
 - THE MISALIGNMENT VIEW ASSUMES THE LATCH IS CONNECTED TO A PERFECTLY RIGID DOOR AND HINGE; THEREFORE, THERE IS NO DOOR AND/OR HINGE SLACK ASSOCIATED WITH THESE DIMENSIONS, THE MISALIGNMENT VIEW DOES NOT TAKE FLEXING OF THE STRIKER BOLT INTO ACCOUNT.
 - SAME AS R4-30-4X-301-10 EXCPET SINGLE STAGE.

THIRD ANGLE PROJECTION						
MILLIMETERS [IN]	DESCRIPTION					
TOLERANCES UNLESS OTHERWISE NOTED	R4 LATCH ASSEMBLY - TWO POINT LH, STEEL, SINGLE STAGE					
ALL DIMENSIONS WITHOUT TOLERANCES ARE FOR REFERENCE ONLY	SIZE	SYSTEM	DWG NO.	DATE		
PER ASME Y14.5M-1994	A3	NX	J-R4-30-20-301-10	11DEC2019	SCALE	1:1
PROPRIETARY ITEM	DRAWN BY		DATE		SHEET	
EXCEPT FOR USES EXPRESSLY GRANTED IN WRITING, INFORMATION DISCLOSED HEREON IS CONFIDENTIAL AND ALL RIGHTS, PATENT AND OTHERWISE, ARE RESERVED BY SOUTHCO, INC.	RKS/VK		11DEC2019		1 OF 1	