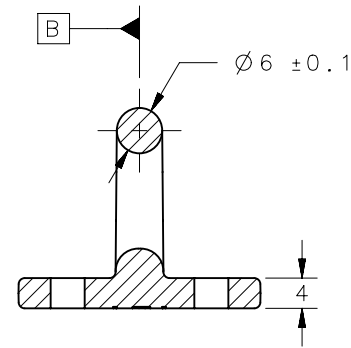
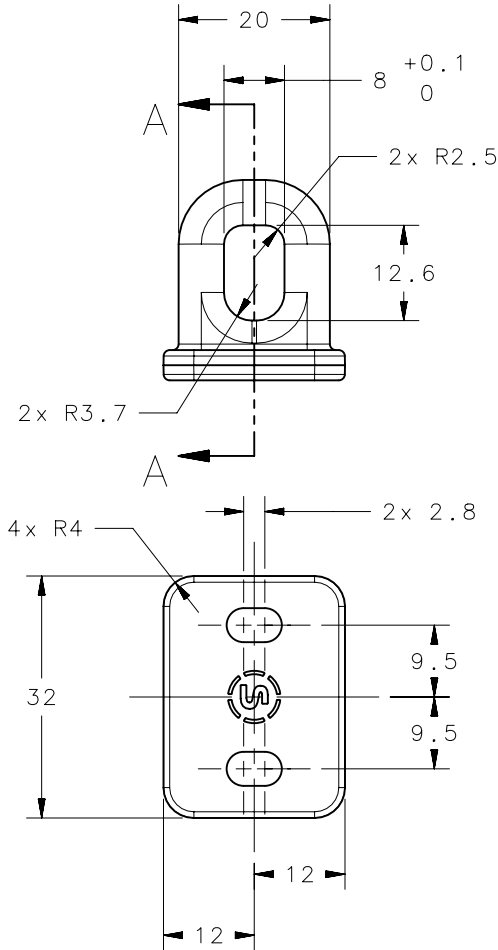
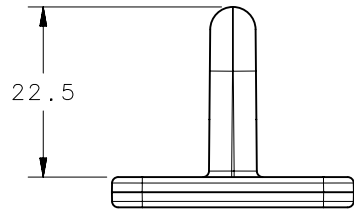
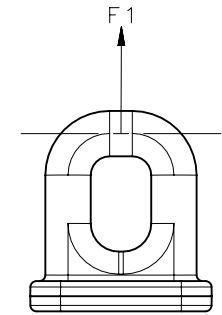


REVISION HISTORY			
REV	DATE	BY	DESCRIPTION
A	05APR2016	JEM/MGG	PRN: IP-2016-0875



SECTION A-A



NOTE,
1, AVERAGE TENSILE STRENGTH,
APPLIED AT POINT "F1", 250 Lbs (1112N)

R4-0-61336	STRIKER	PA66 GF60	N/A	BLACK
PART NUMBER	TYPE OF COMPONENT	MATERIAL	HEAT TREAT	FINISH
	THIRD ANGLE PROJECTION	 CONNECT • CREATE • INNOVATE		
	MILLIMETERS [IN]			
SURFACE AREA 2761.89mm ²	TOLERANCES UNLESS OTHERWISE NOTED	DESCRIPTION STRIKER		
VOLUME 4400.73mm ³	ALL DIMENSIONS WITHOUT TOLERANCES ARE FOR REFERENCE ONLY.			
PROPRIETARY ITEM EXCEPT FOR USES EXPRESSLY GRANTED IN WRITING, INFORMATION DISCLOSED HEREON IS CONFIDENTIAL AND ALL RIGHTS, PATENT AND OTHERWISE, ARE RESERVED BY SOUTHCO, INC.	PER ASME Y14.5M-1994	SIZE A4	SYSTEM NX	DWG NO. J-R4-0-61336
		DRAWN BY JEM	DATE 05APR2016	SCALE 1:1
				SHEET 1 OF 1