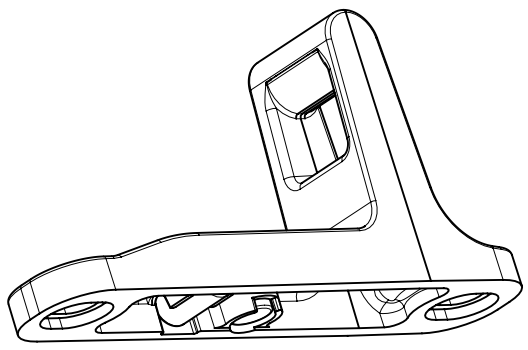
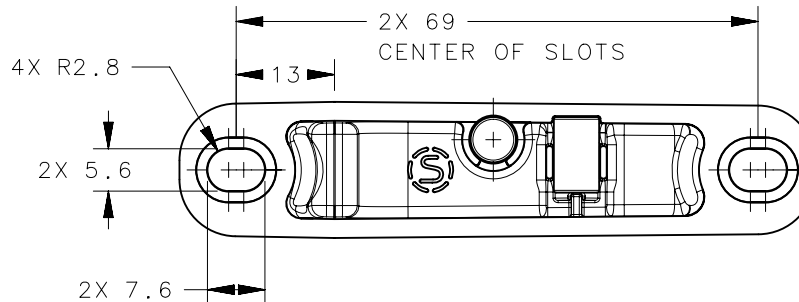
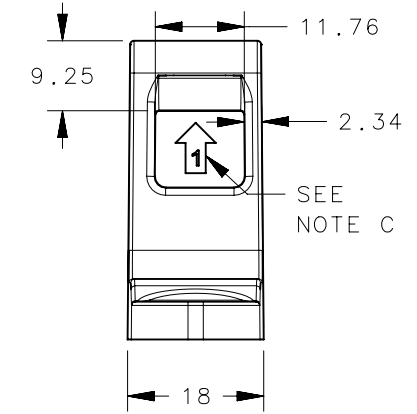
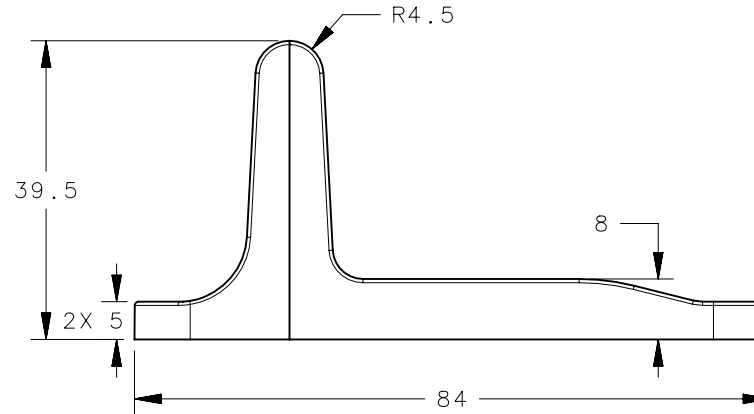


NOTES:

- A. MATERIAL:
 STRIKER: DIE CAST ZINC WITH CLEAR CHROMATE FINISH
 MAGNET: NdFeB, NICKEL PLATED
- B. MOUNT STRIKER TO A RIGID SURFACE AND SECURE WITH M5 OR #10 FASTENERS THROUGH PROVIDED SLOTS. FASTENERS NOT PROVIDED.
- C. AVERAGE ULTIMATE TENSILE LOAD DIRECTION 1 ON STRIKER BEFORE STRIKER FAILURE: 9200N (2068lbf) ref trR4-19532
 NOTE STRENGTH DATA IS FOR STRIKER ONLY.
- D. THE DOOR SENSOR STRIKER (WITH MAGNETS) R4-90-804-10 CAN BE USED WITH SOUTHCO LATCHES WITH A COMPATIBLE DOOR SENSOR OPTION. CONTACT SOUTHCO FOR COMPATIBLE LATCHES.

REVISION HISTORY			
REV	DATE	BY	DESCRIPTION
B	05OCT2017	DJK/KAM	PRN: P2017-2454



R4-90-800-10	STRIKER (NO MAGNETS)	SEE NOTES
R4-90-804-10	STRIKER, DOOR SENSOR	SEE NOTES
PART NUMBER	DESCRIPTION	MATERIAL
THIRD ANGLE PROJECTION		 CONNECT • CREATE • INNOVATE
MILLIMETERS [IN]		
TOLERANCES UNLESS OTHERWISE NOTED		DESCRIPTION
ALL DIMENSIONS WITHOUT TOLERANCES ARE FOR REFERENCE ONLY.		STRIKER ASSEMBLY
PER ASME Y14.5M-1994		SIZE A4 SYSTEM NX DWG NO. J-R4-90-804 DRAWN BY DJK/GGG DATE 13MAY2014 SCALE 1:1 SHEET 1 OF 1
PROPRIETARY ITEM EXCEPT FOR USES EXPRESSLY GRANTED IN WRITING, INFORMATION DISCLOSED HEREON IS CONFIDENTIAL AND ALL RIGHTS, PATENT AND OTHERWISE, ARE RESERVED BY SOUTHCO, INC.		