

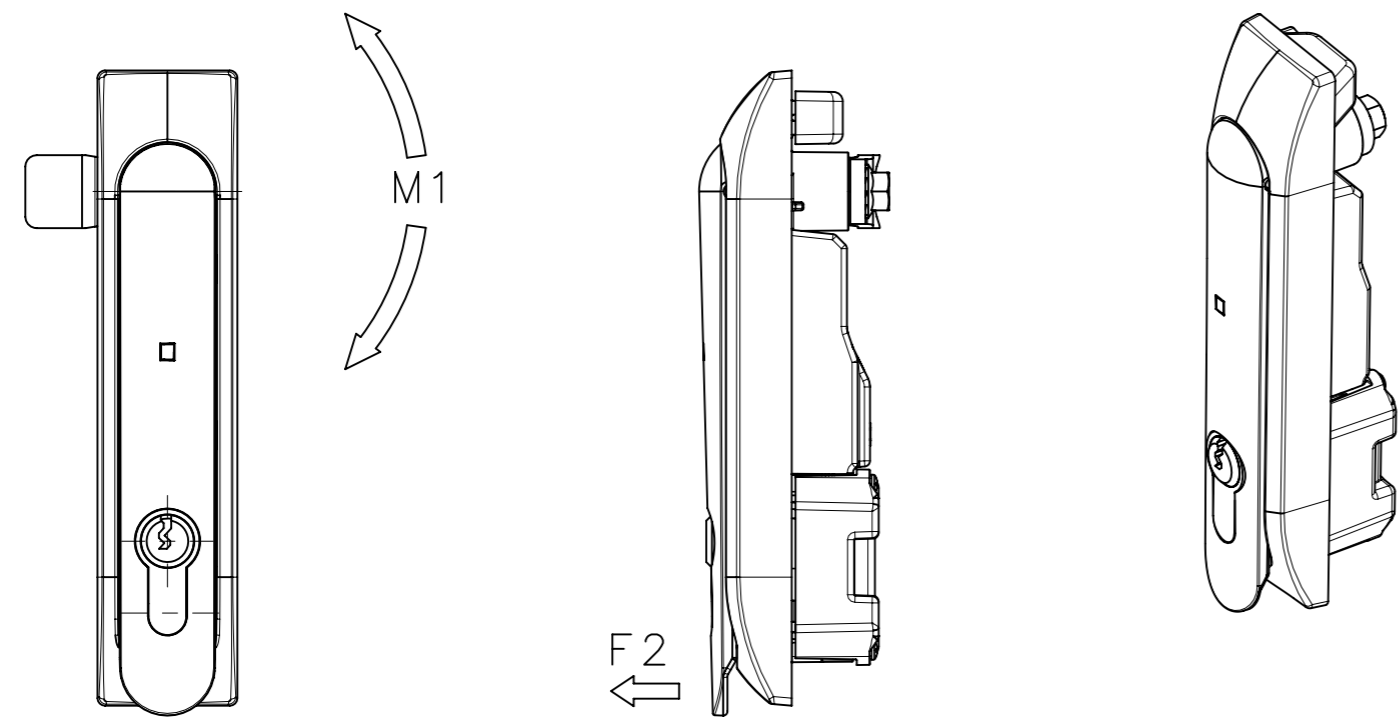
REVISION HISTORY			
REV	DATE	BY	DESCRIPTION
A	20SEP2013	DJK/WJB	PRN: P2013-1888

SOUTHCO PERFORMANCE GUIDELINES

THE PERFORMANCE GUIDELINES SHOWN ON THIS PAGE ARE SUPPLIED AS A GENERAL GUIDE ONLY, AS CONDITIONS VARY WITH EACH APPLICATION AND METHOD OF INSTALLATION. STRENGTH DATA GIVEN IS FOR FAILURE OF THE PRODUCT OR FOR SUFFICIENT DEFORMATION TO MAKE PRODUCT INOPERABLE. NO SAFETY FACTOR HAS BEEN APPLIED IT IS RECOMMENDED THAT THE USER REQUEST A PRODUCT SAMPLE FOR TESTING TO DETERMINE THE SUITABILITY OF THE PRODUCT FOR THE PURPOSE INTENDED AND USER'S PARTICULAR APPLICATION.

NOTES:

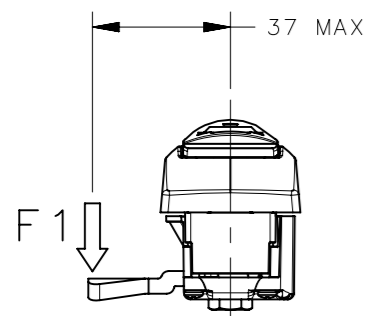
- A. FOR DIMENSIONS AND ELECTRICAL SPECIFICATION SEE TRADE DRAWING (J-H3-EM-60-100)
- B. TEST DATA VALID FOR USE WITH SOUTHCO LOCK PLUG PK-99-79



TYPE OF LOAD	CYCLE LIFE	LOAD F1
NORMAL (1)	5000 (ELECTRONIC AND MECHANICAL LOCK/UNLOCK AND TURN HANDLE OPEN/CLOSED)	NONE
ACCIDENTAL (2)	100 (ELECTRONIC AND MECHANICAL LOCK/UNLOCK AND TURN HANDLE OPEN/CLOSED)	50N

ULTIMATE LOAD, M1, WITH HANDLE FULLY LIFTED IN THE CLOSING AND OPENING DIRECTION	25Nm
MAXIMUM WORKING LOAD, M1, WITH HANDLE FULLY LIFTED IN THE CLOSING AND OPENING DIRECTION	20Nm
ULTIMATE LOAD, F2, WITH HANDLE LOCKED AND IN THE CLOSED POSTION	400N
ULTIMATE LOAD, F1, ON CAM (TESTED WITH CAM E5-6712)	600N
MOUNTING SCREW, MAX TORQUE	0.5Nm
CAM SCREW INSTALLATION, MIN TORQUE	4Nm
CAM SCREW INSTALLATION, MAX TORQUE	4.5Nm
UL-94 RATING	V0 (3)

- (1) TESTING AT OPERATING TEMPERATURE RANGE 0°C TO +45°C WITH 85% RH. STORAGE TEMPERATURE -10°C TO +70°C. TESTED AT 12VDC.
- (2) ACCIDENTAL LOAD CASE. HANDLE PULLED AT THE SAME TIME AS ELECTRIC LOCK ACTUATED. LOAD CASE NOT EXPECTED IN NORMAL SERVICE. TESTING AT AMBIENT AT 12VDC.
- (3) ALL MOLDED COMPONENTS OVER 1cm³ MADE FROM UL-94 V0 RATED MATERIAL. TOTAL AMOUNT OF NON RATED MATERIAL PER ASSEMBLY LESS THAN 3% BY VOLUME. ALL EXTERNAL COMPONENTS MADE FROM UL-94 V0 RATED MATERIAL.



REF: trH3-12685, trH3-12686, trH3-12687, trH3-12688, trH3-12689, trH3-12690, trH3-12691, trH3-12692, trH3-12693, trH3-12696,

	THIRD ANGLE PROJECTION			
	MILLIMETERS [IN]			
SURFACE AREA	TOLERANCES UNLESS OTHERWISE NOTED	DESCRIPTION		
VOLUME	UP TO 0.5 ±0.05	ELECTRONIC LOCKING SWINGHANDLE		
PROPRIETARY ITEM	OVER 0.5 UP TO 6 ±0.1	SIZE	SYSTEM	DWG NO.
EXCEPT FOR USES EXPRESSLY GRANTED IN WRITING, INFORMATION DISCLOSED HEREON IS CONFIDENTIAL AND ALL RIGHTS, PATENT AND OTHERWISE, ARE RESERVED BY SOUTHCO, INC.	OVER 6 UP TO 30 ±0.2	A3	NX	TD-H3-EM-60-100-J
	OVER 30 ±0.3	DRAWN BY	DATE	SCALE
	ANGLES ±1°	DJK/BGB	20SEP2013	1:2
	PER ASME Y14.5M-1994	SHEET	1 OF 1	