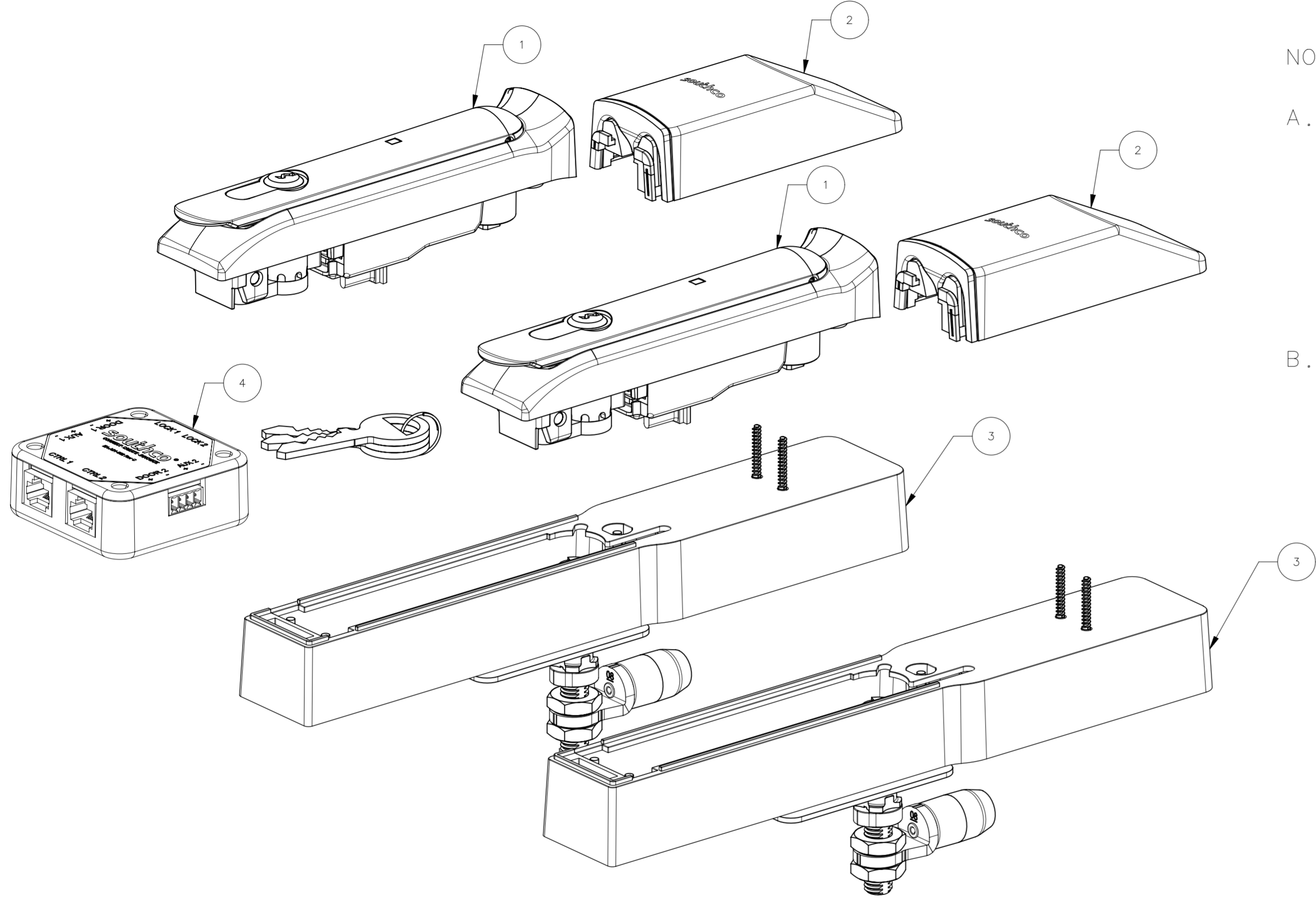


REVISION HISTORY			
REV	DATE	BY	DESCRIPTION
A	04MAY2020	MJS/CDW	1P-2020-1109



NOTES:

- A. TOP LEVEL ASSEMBLY INCLUDES THE FOLLOWING:
- H3-EM-70000-100 MODULAR SWINGHANDLE (2), WITH THREE KEYS ON A RING.
 - EA-P5-30200 DUAL FREQUENCY RFID READER (2)
 - H3-EM-99-588 SOUTHCO C2 TO H3-EM-7 RETROFIT HARDWARE PACK (2)
 - EA-A01-102 SECURITY INTEGRATION KIT (1)
- B. ALL MATERIALS ARE RoHS COMPLIANT.

4	EA-A01-102	1	SECURITY INTEGRATION KIT	SEE SHEETS 11 - 12
3	H3-EM-99-588	2	RETROFIT KIT	SEE SHEETS 7 - 10
2	EA-P5-30200	2	H3-EM DUAL FREQUENCY READER	SEE SHEETS 5 - 6
1	H3-EM-70000-100	2	H3-EM MODULAR SWINGHANDLE	SEE SHEETS 2 - 4
-	H3-EM-99-610	-	IBM z15 RACK LEVEL SECURITY KIT	-
NO.	PART NUMBER	QTY	TYPE OF COMPONENT	DETAILS

THIRD ANGLE PROJECTION	MILLIMETERS [IN]	 CONNECT · CREATE · INNOVATE
PROPRIETARY ITEM <small>EXCEPT FOR USES EXPRESSLY GRANTED IN WRITING, INFORMATION DISCLOSED HEREON IS CONFIDENTIAL AND ALL RIGHTS, PATENT AND OTHERWISE, ARE RESERVED BY SOUTHCO, INC.</small>	PER ASME Y14.5M-1994	DESCRIPTION IBM z15 RACK LEVEL SECURITY KIT KIT CONTENTS
SIZE SYSTEM A2 NX	DWG NO. J-H3-EM-99-610	DRAWN BY CDW
DATE 13APR2020	SCALE 1:2	SHEET 1 OF 12

8

7

6

5

4

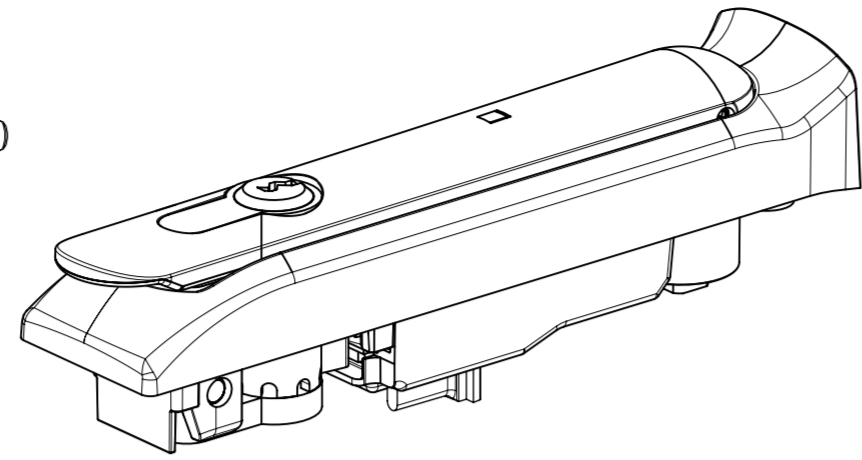
3

2

1

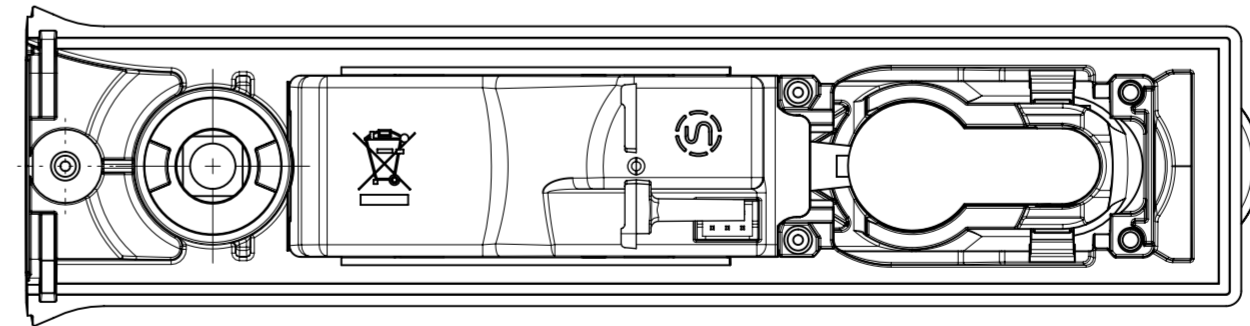
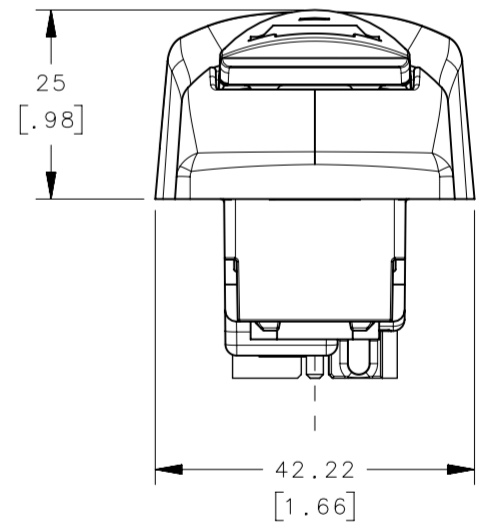
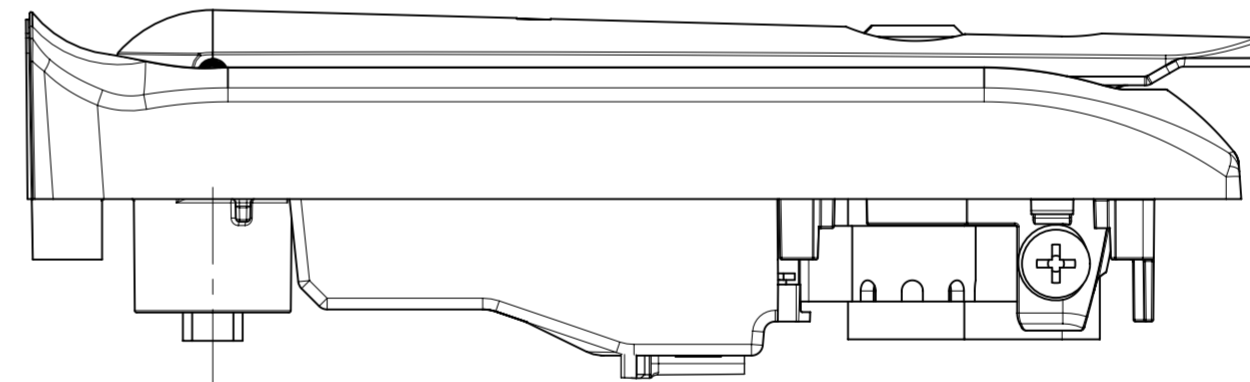
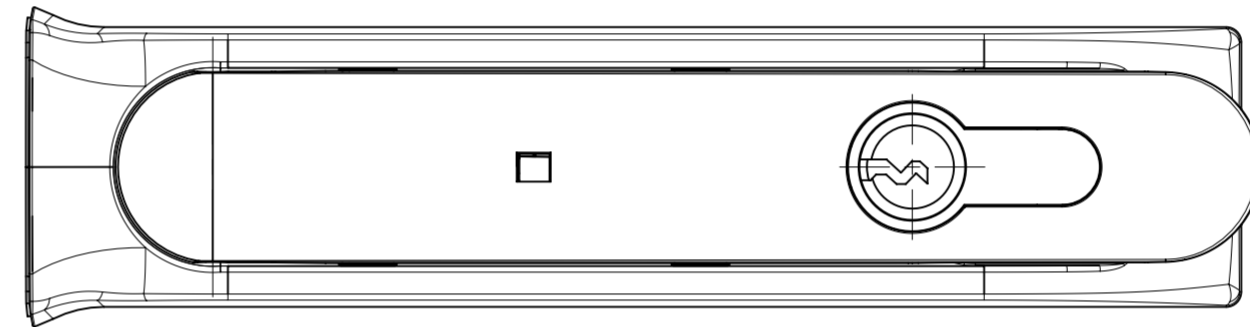
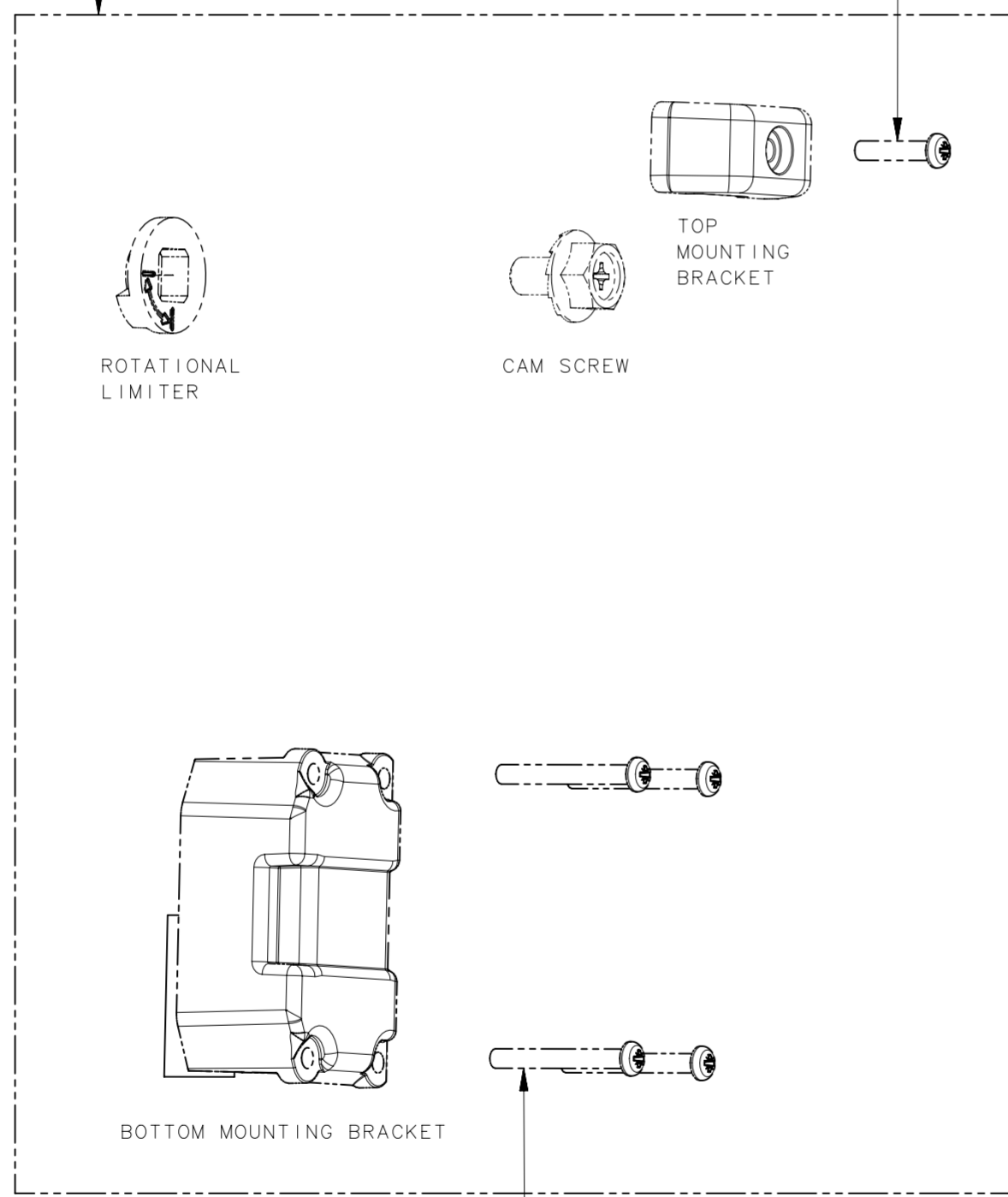
REVISION HISTORY			
REV	DATE	BY	DESCRIPTION
A	04MAY2020	MJS/CDW	1P-2020-1109

1 H3-EM MODULAR SWINGHANDLE
PART NUMBER: H3-EM-70000-100



IMPORTANT
LATCH ASSEMBLY COMES SUPPLIED WITH HARDWARE CONTAINING ROTATIONAL LIMITER, CAM SCREW, MOUNTING BRACKETS AND SCREWS. THESE COMPONENTS ARE NOT TO BE USED WITH RETROFIT KIT H3-EM-99-588 AND CAN BE DISCARDED.

POZIDRIV MOUNTING SCREW
14 LONG



CPB NUMBER 2020-0047	THIRD ANGLE PROJECTION		southco CONNECT · CREATE · INNOVATE
	MILLIMETERS [IN]		
SURFACE AREA mm ²	TOLERANCES UNLESS OTHERWISE NOTED	DESCRIPTION IBM z15 RACK LEVEL SECURITY KIT H3-EM MODULAR SWINGHANDLE	SIZE SYSTEM A2 NX
VOLUME mm ³	ALL DIMENSIONS WITHOUT TOLERANCES ARE FOR REFERENCE ONLY.	DWG NO. J-H3-EM-99-610	DRAWN BY CDW
PROPRIETARY ITEM EXCEPT FOR USES EXPRESSLY GRANTED IN WRITING, INFORMATION DISCLOSED HEREON IS CONFIDENTIAL AND ALL RIGHTS, PATENT AND OTHERWISE, ARE RESERVED BY SOUTHCO, INC.	PER ASME Y14.5M-1994	DATE 13APR2020	SCALE 1:1
		SHEET 2 OF 12	

8

7

6

5

4

3

2

1

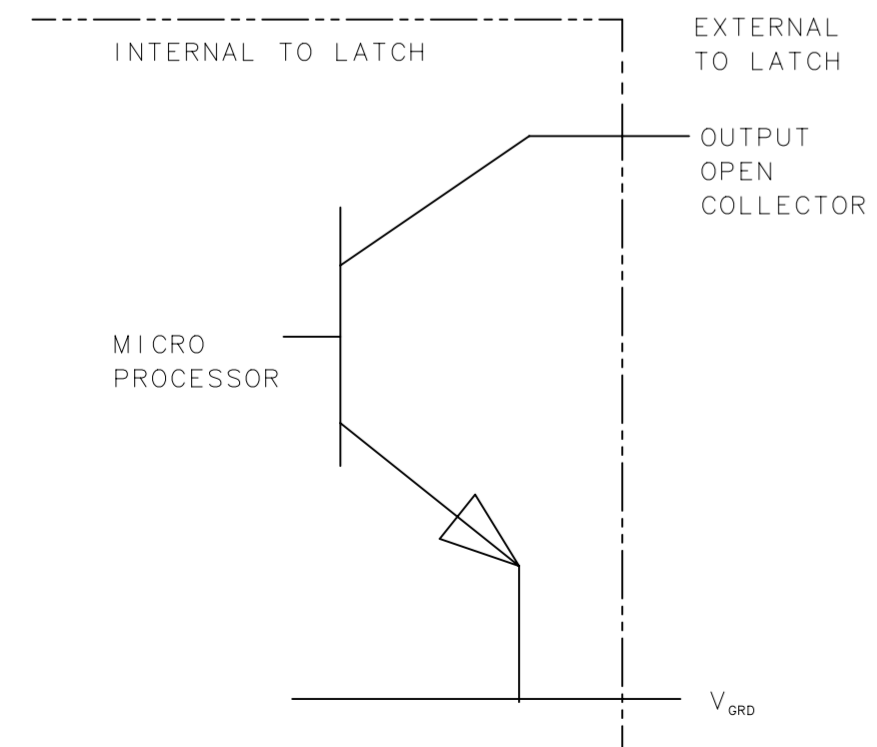
REVISION HISTORY			
REV	DATE	BY	DESCRIPTION
A	13APR2020	MJS/CDW	PRN: IP-2020-1109

**ELECTRONIC LATCH
PINOUT AND DETAIL SPECIFICATION**

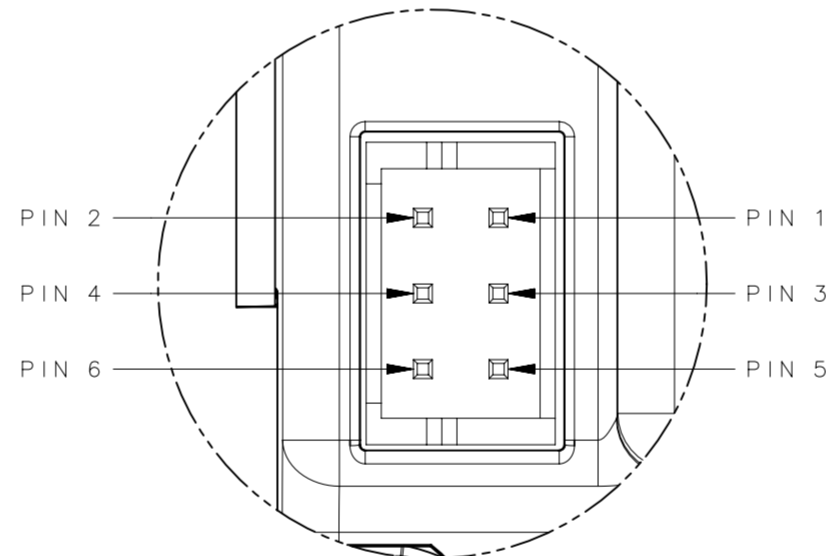
- POWER: 12V TO 24V
 - OPERATING CURRENT: LESS THAN 200mA AT 12VDC WITH NO EXTERNAL MECHANICAL LOAD APPLIED TO HANDLE.
 - MAX CURRENT WITH STALLED ACTUATOR: 1A MAX AT 12VDC (STALL LIMITED TO 2 SECONDS)
 - STANDBY CURRENT: 25mA TYPICAL.
- CONTROL INPUT:
 - TO UNLOCK: SUPPLY 9VDC MINIMUM (DO NOT EXCEED SUPPLY VOLTAGE) FOR A MINIMUM OF 100 MILLISECONDS. THE LATCH WILL REMAIN UNLOCKED FOR AS LONG AS THE SIGNAL IS PRESENT OR A MINIMUM OF 3 SECONDS.
- OUTPUT:
 - OPEN COLLECTOR OUTPUT. RATING 9 TO 24VDC. 100mA MAX LOAD
 - CAUTION! TO PREVENT DAMAGE TO THE PRODUCT DO NOT EXCEED MAXIMUM LOADS STATED AND FOLLOW WIRING DIRECTIVES.
 - FOR OUTPUT SIGNAL DETAILS AND LED SEQUENCE SEE TRUTH TABLE.
- CONNECTIONS:
 - SIX POSITION CONNECTOR
 - HIROSE ELECTRIC CO LTD. PART NUMBER DF11-6DP-2DSA.
 - SEE PIN-OUT TABLE.

PIN	DESCRIPTION	NOTE
1	VGND	GROUND (MUST BE SAME AS RFID READER MODULE)
2	VSUPPLY	12 TO 24 VDC POWER SUPPLY INPUT
3	N/C	NO CONNECT
4	CONTROL SIGNAL	COMMAND INPUT (9VDC UP TO SUPPLY VOLTAGE, 100 MILLISECONDS MINIMUM)
5	ELECTRONIC LOCK STATUS	OPEN COLLECTOR OUTPUT (RATED FOR VSUPPLY, 100mA MAX. LOAD)
6	MECHANICAL LOCK STATUS	OPEN COLLECTOR OUTPUT (RATED FOR VSUPPLY 100mA MAX. LOAD)

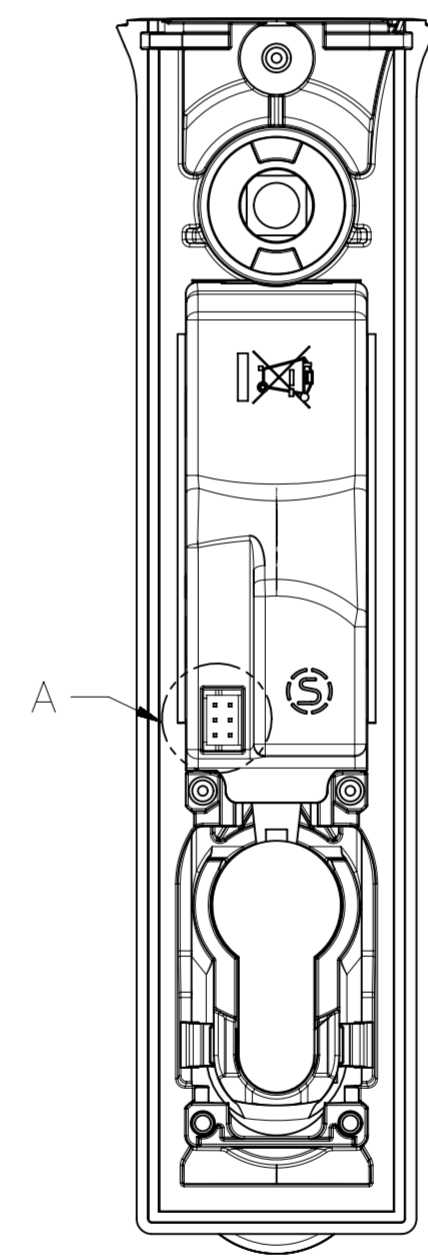
5. ELECTRONIC LATCH WIRE HARNESS (NOT INCLUDED)
SOUTHCO P/N: EA-W01-100 *, SEE ALSO J-EA-W01 FROM ACTUATOR MODULE TO STRIPPED AND TINNED END LENGTH 1000MM
*CONTACT SOUTHCO FOR OTHER LENGTHS



**ELECTRONIC LATCH
PINOUT DIAGRAM
(SEE NOTE 4)**



**DETAIL A
SCALE 5:1**



CPB NUMBER 2020-0047	THIRD ANGLE PROJECTION		southco CONNECT · CREATE · INNOVATE
	MILLIMETERS [IN]		
SURFACE AREA mm ²	TOLERANCES UNLESS OTHERWISE NOTED	DESCRIPTION IBM z15 RACK LEVEL SECURITY KIT H3-EM MODULAR SWINGHANDLE	SIZE SYSTEM A2 NX
VOLUME mm ³	ALL DIMENSIONS WITHOUT TOLERANCES ARE FOR REFERENCE ONLY.	DWG NO. J-H3-EM-99-610	SCALE 1:1
PROPRIETARY ITEM EXCEPT FOR USES EXPRESSLY GRANTED IN WRITING, INFORMATION DISCLOSED HEREON IS CONFIDENTIAL AND ALL RIGHTS, PATENT AND OTHERWISE, ARE RESERVED BY SOUTHCO, INC.	PER ASME Y14.5M-1994	DRAWN BY CDW	DATE 13APR2020
		SHEET 3 OF 12	

8

7

6

5

4

3

2

1

REVISION HISTORY

REV	DATE	BY	DESCRIPTION
A	04MAY2020	MJS/CDW	1P-2020-1109

LATCH STATUS DEFINITION

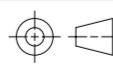
LATCH STATUS	LATCH LED	PIN 6 OUTPUT HANDLE LOCK	PIN 5 OUTPUT ELECTRONIC LOCK	PIN 4 CONTROL INPUT	NOTE
SECURED	BLUE	OPEN COLLECTOR	OPEN COLLECTOR	GND	ENCLOSURE SECURED- ACCESS DENIED
ELECTRONICALLY RELEASED	BLUE / MAGENTA FLASHING	OPEN COLLECTOR	LOW	V _{ss}	ENCLOSURE READY FOR ACCESS
MECHANICALLY RELEASED	BLUE FLASHING LOW	LOW	LOW	V _{ss}	ACCESS GAINED - HANDLE LIFTED OR MECHANICALLY UNLOCKED
		LOW	OPEN COLLECTOR	GND	ACCESS GAINED - HANDLE LIFTED - ELECTRONIC LOCK CLOSED
HANDLE NOT FULLY CLOSED	BLUE / RED FLASHING	OPEN COLLECTOR	LOW	GND	INTERIM STATES ONLY DURING CLOSING OF HANDLE
		LOW	LOW	GND	

ELECTRONIC SWINGHANDLE MATERIALS

H3-EM-70000-100			
COMPONENT	MATERIAL	FINISH	NOTE
CIRCUIT BOARD	DETAILS ON REQUEST	DETAILS ON REQUEST	
MOTOR	DETAILS ON REQUEST	DETAILS ON REQUEST	
GEAR SHAFT	STAINLESS STEEL	NATURAL	
WORM GEAR	PA66 1300S	NATURAL	
PINION GEAR	POM M90-44	BLACK	
SPUR GEAR	POM M90-44	BLACK	
GEAR RETAINER	PC (LEXAN V0)	CLEAR	
MOTOR COVER	PC ABS (UL94- V0)	BLACK	
LATCH BODY	30% GF NYLON (UL94- V0)	BLACK (A&B SURFACES VD136)	
HANDLE MOULDING	30% GF NYLON (UL94- V0)	BLACK (A&B SURFACES VD136)	
LIGHT PIPE	PC (LEXAN V0)	WHITE	
BOTTOM MOUNTING BRACKET	30% GF NYLON (UL94- V0)	BLACK	
SLIDE	30% GF NYLON (UL94- V0)	WHITE	
HANDLE SHAFT	DIE CAST ZINC	ZINC PLATE BRIGHT CHROMATE	
ROTATION LIMITER	DIE CAST ZINC	ZINC PLATE BRIGHT CHROMATE	
TOP MOUNTING BRACKET	30% GF NYLON (UL94- V0)	BLACK	
MOUNTING SCREW 25 LONG	STEEL	ZINC PLATE + BRIGHT CHROMATE	INSTALL WITH #1 POZIDRIV DRIVER
MOUNTING SCREW 14 LONG	STEEL	ZINC PLATE + BRIGHT CHROMATE	INSTALL WITH #1 POZIDRIV DRIVER
OUTPUT GEAR MOULDING	POM M90-44	BLACK	
REFLECTOR	POM M90-44	OPAQUE WHITE	
CONNECTING LEAD	DETAILS ON REQUEST	DETAILS ON REQUEST	ORDER SEPARATELY
DIN LOCKPLUG	DETAILS ON REQUEST	DETAILS ON REQUEST	
LOCK PLUG RETAINING SCREW	STEEL	ZINC PLATE + BRIGHT CHROMATE + SEALER	
SHAFT PIN	SAE 30302/30304	PLAIN, OILED	
O-RING	BLACK NBR RUBBER	GREASED	
CAM SCREW	STEEL	ZINC PLATE + BRIGHT CHROMATE	
CAM	STEEL	ZINC PLATE + BRIGHT CHROMATE	
SLIDE SPRING	302 STAINLESS STEEL	NATURAL	
KEYS	COPPER	NICKEL PLATED	

HARDWARE PACK MATERIALS

COMPONENT	MATERIAL	FINISH	NOTE
MOUNTING BEZEL	PC ABS (UL94- V0)	BLACK	
FRONT PLATE	STEEL	NATURAL, SCREWS ZINC PLATE + BRIGHT CHROMATE + SEALER	
REAR PLATE	STEEL	BLACK POWDERCOAT	
CAM SCREW	STEEL	ZINC PLATE	
M5 NUT	STAINLESS STEEL W POLYAMID INSERT	PASSIVATED	
ROTATION LIMITER	ALUMINUM	NATURAL	
CAM SHAFT	DIE CAST ZINC	NATURAL	
ROLLER CAM	DETAILS ON REQUEST	DETAILS ON REQUEST	
LOCKWASHER	SPRING STEEL	ZINC PLATE, CHROMATE + SEALER	
M10 NUT	STEEL	ZINC PLATE, BRIGHT CHROMATE + SEALER	
M3 MOUNTING SCREW 45 LONG	STEEL	ZINC PLATE + BRIGHT CHROMATE	
M3 MOUNTING SCREW 25 LONG	STEEL	ZINC PLATE + BRIGHT CHROMATE	

CPB NUMBER 2020-0047	THIRD ANGLE PROJECTION 	southco CONNECT · CREATE · INNOVATE
	MILLIMETERS [IN]	
SURFACE AREA mm ²	TOLERANCES UNLESS OTHERWISE NOTED	DESCRIPTION IBM z15 RACK LEVEL SECURITY KIT
VOLUME mm ³	ALL DIMENSIONS WITHOUT TOLERANCES ARE FOR REFERENCE ONLY.	H3-EM MODULAR SWINGHANDLE
PROPRIETARY ITEM EXCEPT FOR USES EXPRESSLY GRANTED IN WRITING, INFORMATION DISCLOSED HEREIN IS CONFIDENTIAL AND ALL RIGHTS, PATENT AND OTHERWISE, ARE RESERVED BY SOUTHCO, INC.	PER ASME Y14.5M-1994	SIZE SYSTEM A2 NX DWG NO. J-H3-EM-99-610
	DRAWN BY CDW	DATE 13APR2020
		SCALE 1:1
		SHEET 4 OF 12

8

7

6

5

4

3

2

1

8

7

6

5

4

3

2

1

REVISION HISTORY			
REV	DATE	BY	DESCRIPTION
A	04MAY2020	MJS/CDW	IP-2020-1109

② H3-EM DUAL FREQUENCY READER
PART NUMBER: EA-P5-30200

NOTES:

1. PROXIMITY READER MODULE

ELECTRICAL SPECIFICATION:

(A). FOR EA-P5-30200 "MODULAR RFID, UID HIGH, CSN LOW"

- SUPPLY VOLTAGE (VCC): 12VDC +/-10%
- OPERATING CURRENT: 125mA MAXIMUM (NO EXTERNAL DEVICES ATTACHED)

- TRANSMIT FREQUENCY: 13.56MHz/125kHz FSK
- DATA SIGNAL VOLTAGE: 5VDC
- DATA PULSE INTERVAL TIME: 40 MICRO-SECONDS
- DATA SIGNAL DELAY: 2ms

SEE J-EA-P5-3-2-M ELECTRONIC SWINGHANDLE OPERATING INSTRUCTIONS FOR MORE INFORMATION.
OPERATING TEMPERATURE: 0 TO 45° C

2. RFID READER COMPATIBLE CARD: REFER TO OPERATIONAL INSTRUCTIONS J-EA-P5-3-2-M FOR DEFAULT CARDS

3. WIRE EXTENSION HARNESS FROM READER TO STRIP AND TINNED (NOT INCLUDED): SEE SOUTHCO DRAWING "J-EA-W23-X03" FOR AVAILABLE LENGTHS

4. PROX READER CONNECTIONS:

- 4 POSITION CONNECTOR
- MOLEX, 3.0mm PITCH MICRO-FIT 3.0 RECEPTACLE HOUSING, DUAL ROW 4 CIRCUITS. MOLEX P/N:43025-0400
- MICROFIT 3.0 CRIMP TERMINAL, FEMALE. MOLEX P/N: 43030-0004

5. WIRE HARNESS (NOT INCLUDED):

- SOUTHCO P/N: EA-W23-503 *, SEE ALSO J-EA-W23-X03 FROM PROXIMITY MODULE TO STRIPPED AND TINNED LENGTH 5000MM.
- SOUTHCO P/N: EA-W01-23-507 *, SEE ALSO J-EA-W01-23-507 FROM PROX MODULE TO SWINGHANDEL STRIPPED AND TINNED LENGTH 5000MM

*CONTACT SOUTHCO FOR OTHER LENGTHS AND MODELS

Dimensions shown in drawings:

- Top view: 113.12 [4.45] (total length), 109.6 [4.31] (module length), 44.4 [1.75] (height)
- Side view: 29 [1.142] (height)

WIRE HARNESS ORDERED SEPARATELY. (SEE NOTE 5)

PROX READER PIN OUT TABLE		
PINOUT	COLOR	DESCRIPTION
1	BLACK	GROUND (MUST BE SAME AS ACTUATOR PORTION)
2	RED	12 TO 24VDC POWER SUPPLY INPUT (MAY BE CONNECTED TO ACTUATOR MODULE V_{SUPPLY} INPUT)
3	GREEN	DATA0 OUTPUT
4	WHITE	DATA1 OUTPUT

EA-P5-30200		MODULAR RFID, UID HIGH, CSN LOW	
ASSEMBLY NUMBER		DESCRIPTION	
CPB NUMBER 2020-0047	THIRD ANGLE PROJECTION		
	MILLIMETERS [IN]		
SURFACE AREA mm ²	TOLERANCES UNLESS OTHERWISE NOTED	DESCRIPTION IBM z15 RACK LEVEL SECURITY KIT	
VOLUME mm ³	ALL DIMENSIONS WITHOUT TOLERANCES ARE FOR REFERENCE ONLY.	H3-EM DUAL FREQUENCY READER	
PROPRIETARY ITEM EXCEPT FOR USES EXPRESSLY GRANTED IN WRITING, INFORMATION DISCLOSED HEREON IS CONFIDENTIAL AND ALL RIGHTS, PATENT AND OTHERWISE, ARE RESERVED BY SOUTHCO, INC.	PER ASME Y14.5M-1994	SIZE SYSTEM A2 NX	DWG NO. J-H3-EM-99-610
		DRAWN BY CDW	DATE 13APR2020
		SCALE 1:1	SHEET 5 OF 12

8

7

6

5

4

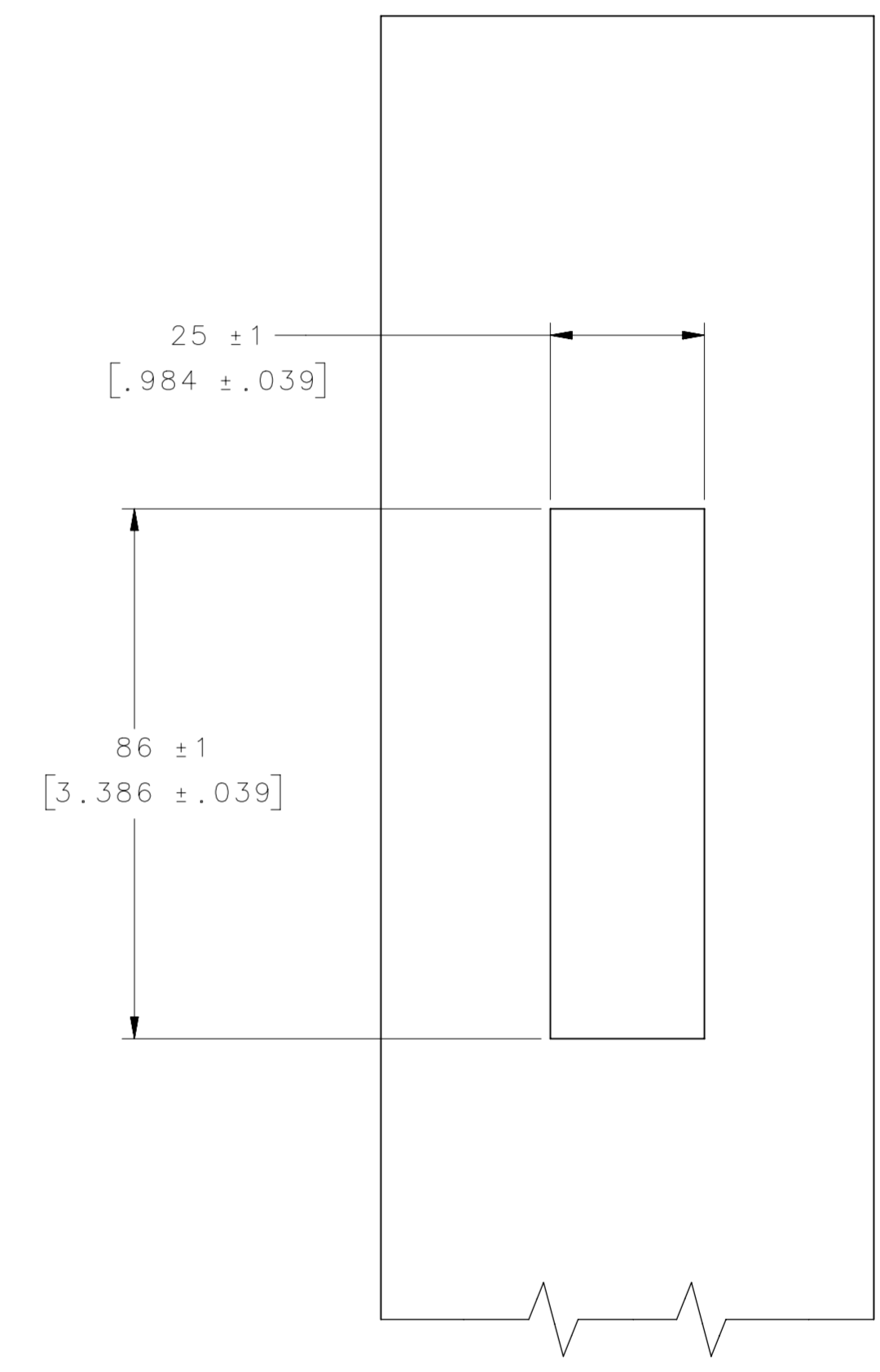
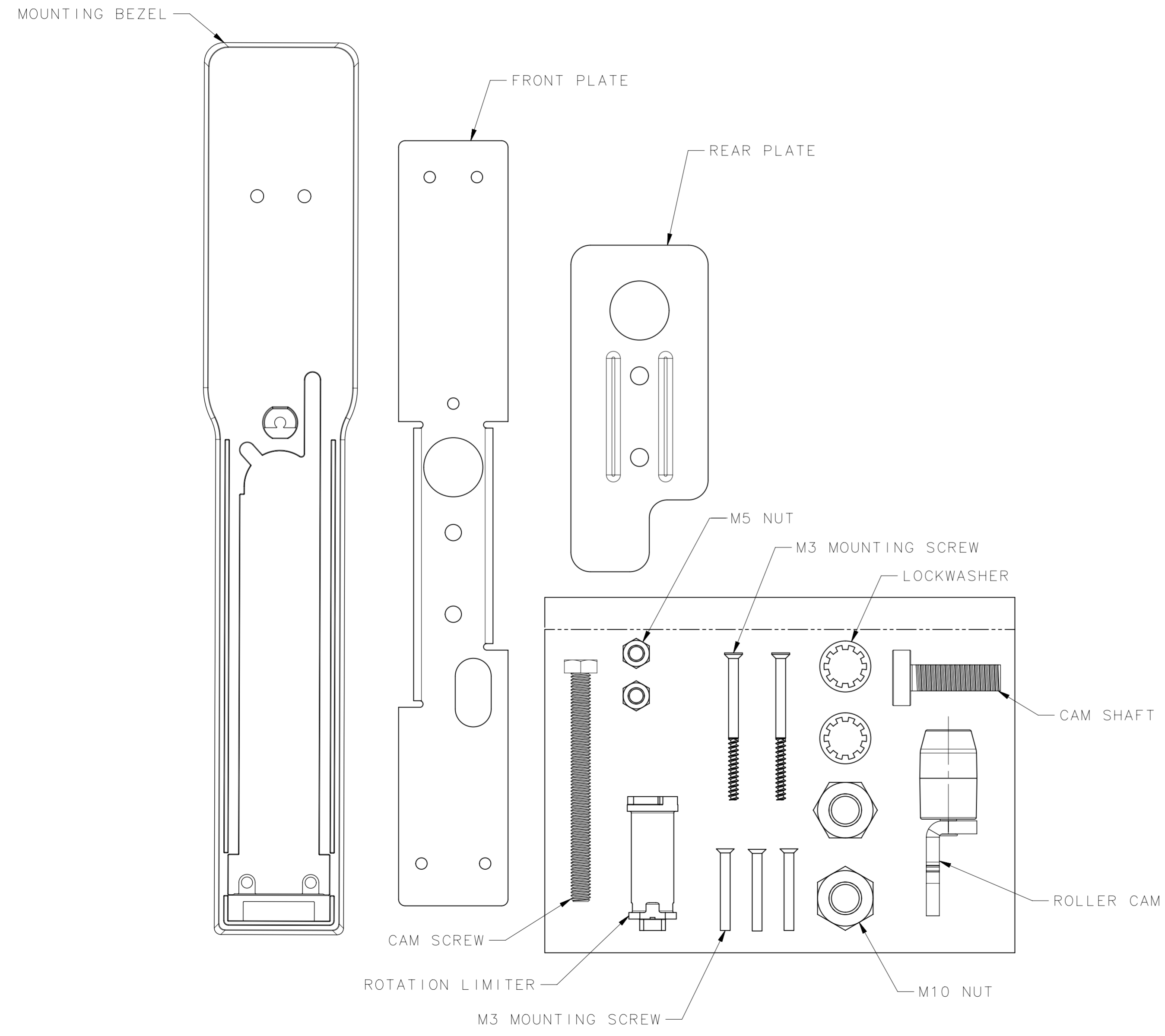
3

2

1

REVISION HISTORY			
REV	DATE	BY	DESCRIPTION
A	04MAY2020	MJS/CDW	1P-2020-1109

3 H3-EM RETROFIT KIT
PART NUMBER: H3-EM-99-588



PANEL CUTOUT

CPB NUMBER 2020-0047	THIRD ANGLE PROJECTION		southco CONNECT · CREATE · INNOVATE
	MILLIMETERS [IN]		
SURFACE AREA mm ²	TOLERANCES UNLESS OTHERWISE NOTED		DESCRIPTION IBM z15 RACK LEVEL SECURITY KIT H3-EM RETROFIT KIT
VOLUME mm ³	ALL DIMENSIONS WITHOUT TOLERANCES ARE FOR REFERENCE ONLY.		SIZE SYSTEM A2 NX
PROPRIETARY ITEM EXCEPT FOR USES EXPRESSLY GRANTED IN WRITING, INFORMATION DISCLOSED HEREIN IS CONFIDENTIAL AND ALL RIGHTS, PATENT AND OTHERWISE, ARE RESERVED BY SOUTHCO, INC.	PER ASME Y14.5M-1994	DWG NO. J-H3-EM-99-610	SCALE 1:1
	DRAWN BY CDW	DATE 13APR2020	SHEET 6 OF 12

8

7

6

5

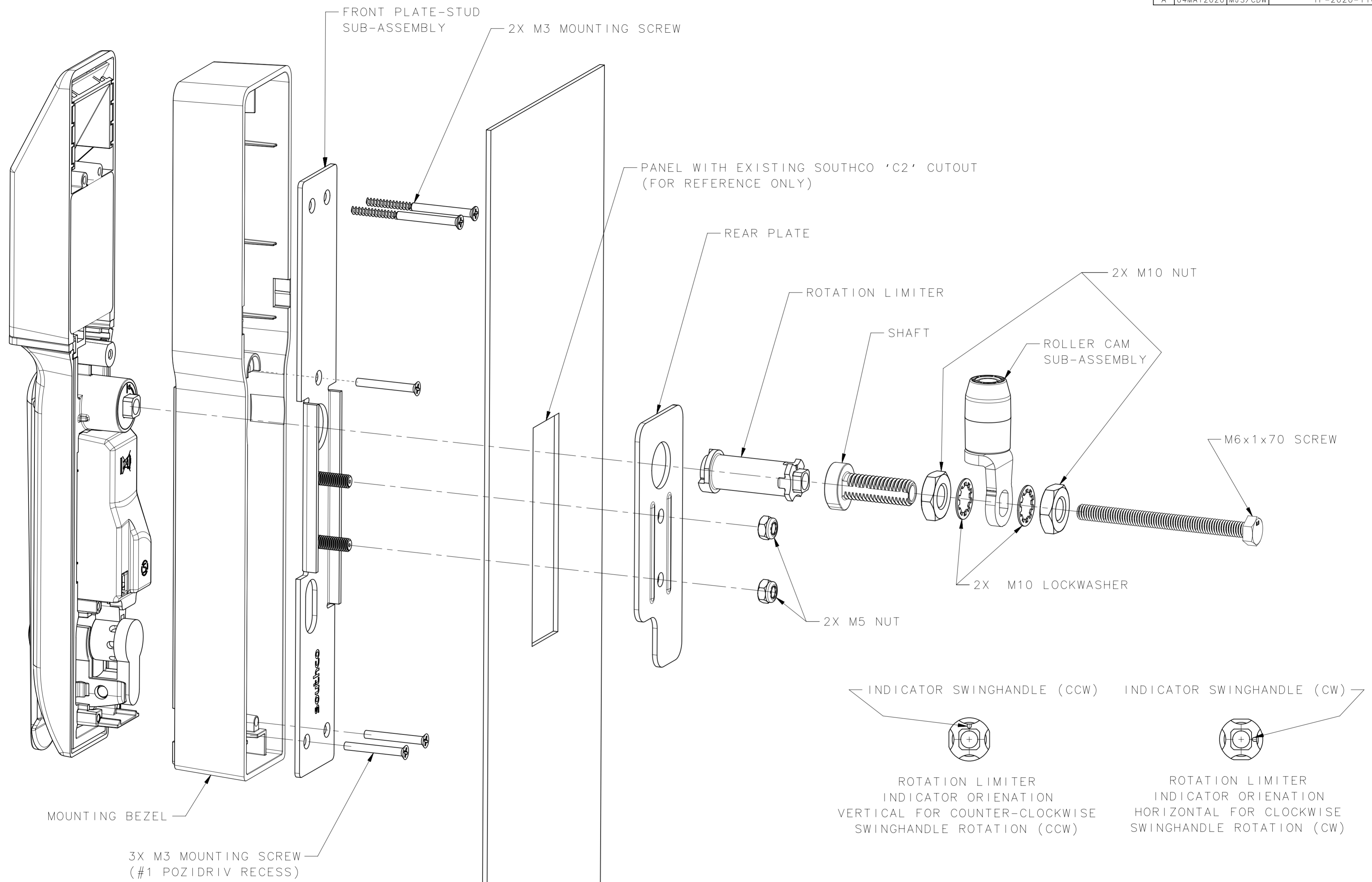
4

3

2

1

REVISION HISTORY			
REV	DATE	BY	DESCRIPTION
A	04MAY2020	MJS/CDW	IP-2020-1109



NOTE:
 1. SEE SHEET 8 FOR LATCH SUB-ASSEMBLY AND HARNESS ROUTING INSTRUCTIONS
 2. SEE SHEET 9 FOR ROLLER-CAM ASSEMBLY INSTRUCTIONS

CPB NUMBER 2020-0047	THIRD ANGLE PROJECTION		southco CONNECT · CREATE · INNOVATE
	MILLIMETERS [IN]		
SURFACE AREA mm ²	TOLERANCES UNLESS OTHERWISE NOTED	DESCRIPTION IBM z15 RACK LEVEL SECURITY KIT H3-EM RETROFIT KIT	
VOLUME mm ³	ALL DIMENSIONS WITHOUT TOLERANCES ARE FOR REFERENCE ONLY.	SIZE SYSTEM A2 NX	DWG NO. J-H3-EM-99-610
PROPRIETARY ITEM EXCEPT FOR USES EXPRESSLY GRANTED IN WRITING, INFORMATION DISCLOSED HEREON IS CONFIDENTIAL AND ALL RIGHTS, PATENT AND OTHERWISE, ARE RESERVED BY SOUTHCO, INC.	PER ASME Y14.5M-1994	DRAWN BY CDW	DATE 13APR2020
		SCALE 1:1	SHEET 7 OF 12

8

7

6

5

4

3

2

1

8

7

6

5

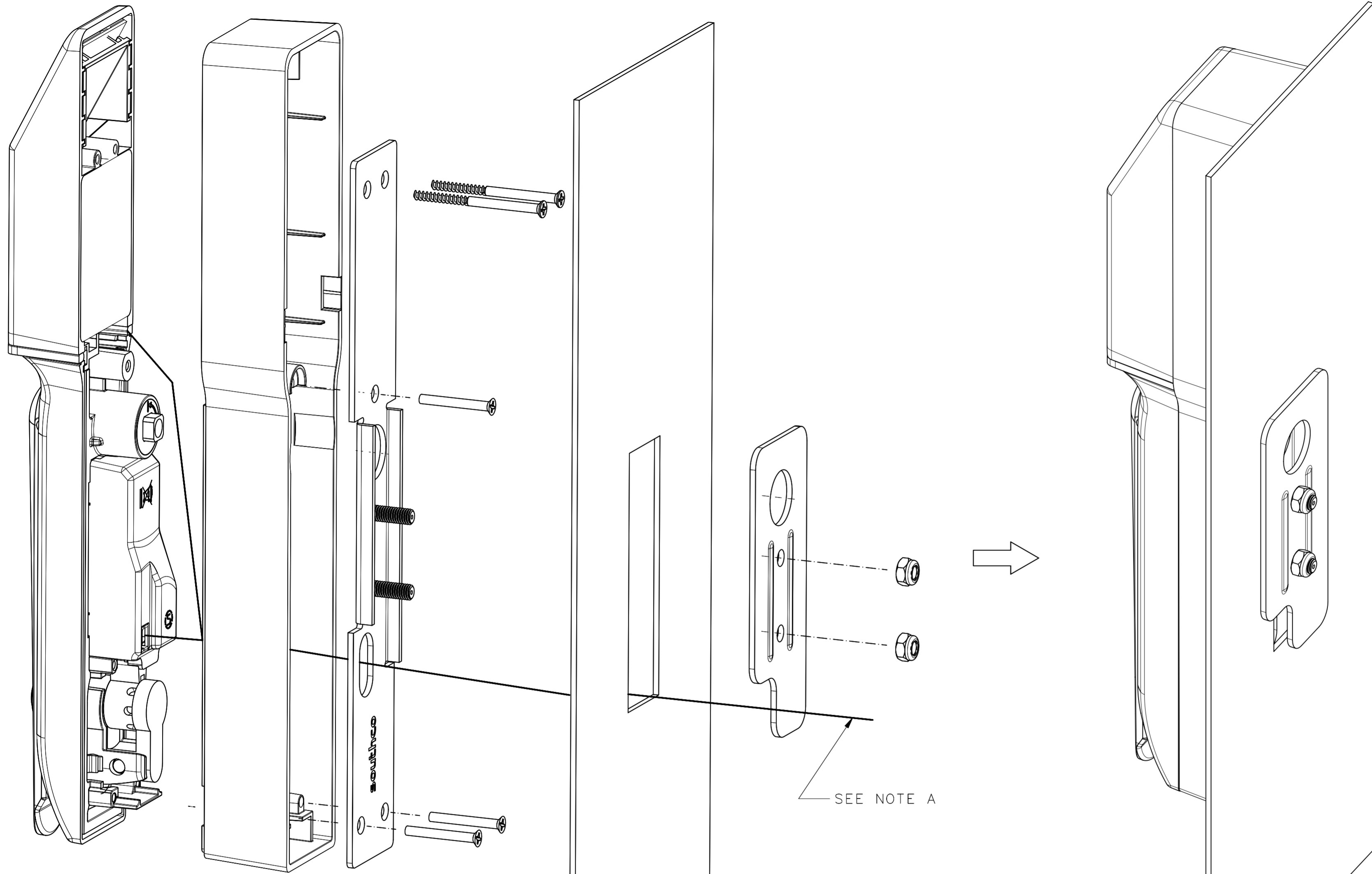
4

3

2

1

REVISION HISTORY			
REV	DATE	BY	DESCRIPTION
A	04MAY2020	MJS/CDW	1P-2020-1109



LATCH MOUNTING INSTRUCTIONS:

1. FASTEN 3X M3 (SHORT) POZIDRIV SCREWS AND 2X M3 (LONG) MOUNTING SCREW THROUGH FRONT PLATE-STUD SUB-ASSEMBLY AND MOUNTING BEZEL INTO H3-EM HOUSING AS SHOWN. MAXIMUM TIGHTENING TORQUE: 0.5 N-m.
2. FEED LATCH SUB-ASSEMBLY THROUGH C2 CUTOUT. THE BENDS IN THE FRONT PLATE WILL LOCATE INSIDE THE C2 CUTOUT.
3. PUSH THE REAR PLATE OVER THE STUDS ON THE FRONT PLATE AND FASTEN 2X NUTS WITH 8mm SOCKET TO ASSEMBLE LATCH TO DOOR. MAXIMUM RECOMMENDED TIGHTENING TORQUE: 4 N-m

HARNES ROUTING:

- A. ROUTE THE READER HARNESS SECTION UNDER THE BEZEL AND THROUGH THE OVAL HOLE IN THE BEZEL PLATE AND FRONT MOUNTING PLATE. CONFIRM THAT THE HARNESS IS NOT PINCHED BETWEEN THE LATCH AND BEZEL.

CPB NUMBER 2020-0047	THIRD ANGLE PROJECTION		southco CONNECT · CREATE · INNOVATE
	MILLIMETERS [IN]		
SURFACE AREA mm ²	TOLERANCES UNLESS OTHERWISE NOTED		DESCRIPTION IBM z15 RACK LEVEL SECURITY KIT H3-EM RETROFIT KIT
VOLUME mm ³	ALL DIMENSIONS WITHOUT TOLERANCES ARE FOR REFERENCE ONLY.		SIZE SYSTEM A2 NX
PROPRIETARY ITEM EXCEPT FOR USES EXPRESSLY GRANTED IN WRITING, INFORMATION DISCLOSED HEREON IS CONFIDENTIAL AND ALL RIGHTS, PATENT AND OTHERWISE, ARE RESERVED BY SOUTHCO, INC.	PER ASME Y14.5M-1994	DWG NO. J-H3-EM-99-610	DRAWN BY CDW
		DATE 13APR2020	SCALE 1:1
			SHEET 8 OF 12

8

7

6

5

4

3

2

1

8

7

6

5

4

3

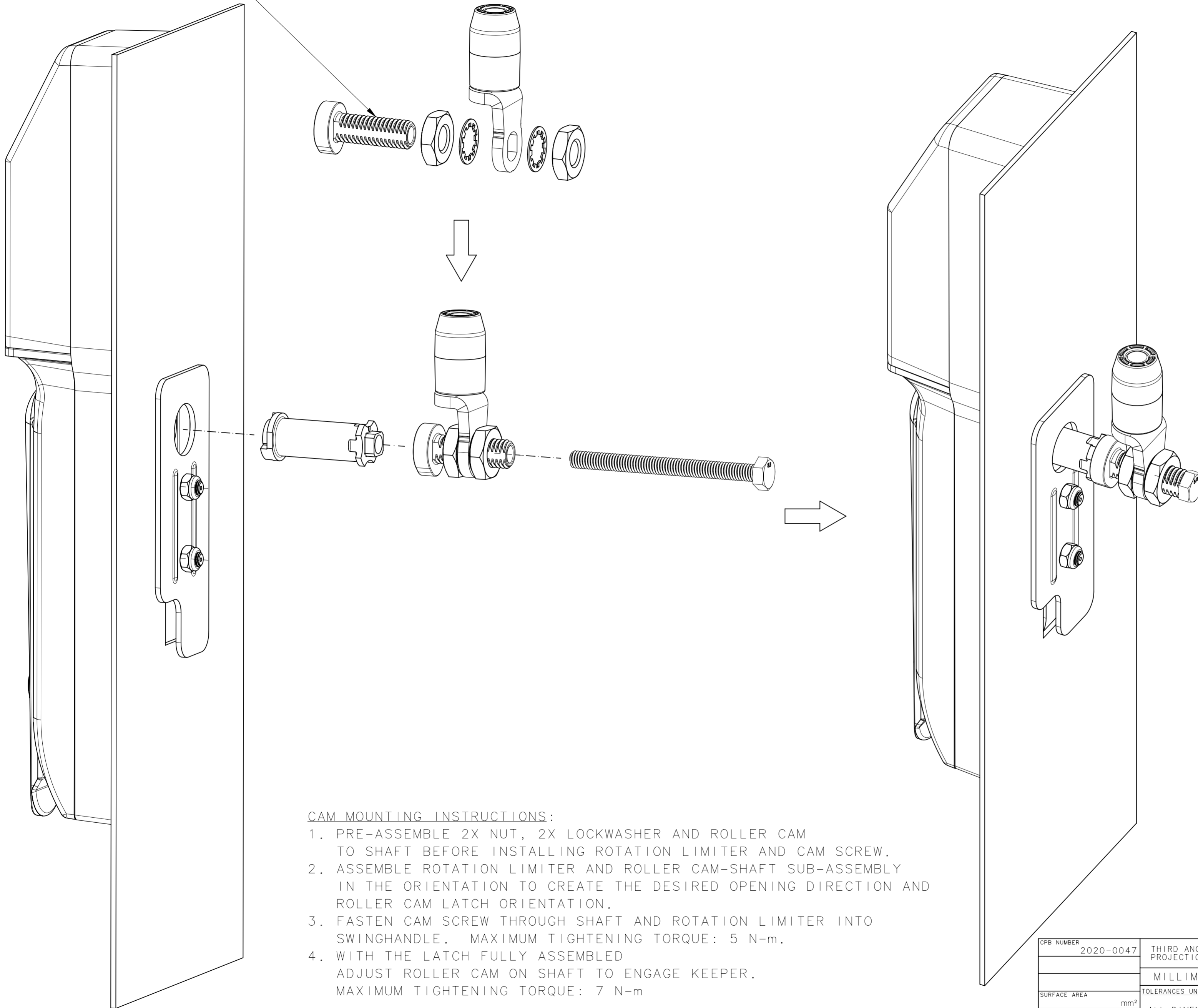
2

1

REVISION HISTORY

REV	DATE	BY	DESCRIPTION
A	04MAY2020	MJS/CDW	IP-2020-1109

PRE-ASSEMBLE 2X NUT, 2X LOCKWASHER AND ROLLER CAM TO SHAFT BEFORE INSTALLING ROTATION LIMITER AND CAM SCREW. USE TWO WRENCHES TO SIMULTANEOUSLY TIGHTEN 2X NUTS.



CAM MOUNTING INSTRUCTIONS:

1. PRE-ASSEMBLE 2X NUT, 2X LOCKWASHER AND ROLLER CAM TO SHAFT BEFORE INSTALLING ROTATION LIMITER AND CAM SCREW.
2. ASSEMBLE ROTATION LIMITER AND ROLLER CAM-SHAFT SUB-ASSEMBLY IN THE ORIENTATION TO CREATE THE DESIRED OPENING DIRECTION AND ROLLER CAM LATCH ORIENTATION.
3. FASTEN CAM SCREW THROUGH SHAFT AND ROTATION LIMITER INTO SWINGHANDLE. MAXIMUM TIGHTENING TORQUE: 5 N-m.
4. WITH THE LATCH FULLY ASSEMBLED ADJUST ROLLER CAM ON SHAFT TO ENGAGE KEEPER. MAXIMUM TIGHTENING TORQUE: 7 N-m

CPB NUMBER 2020-0047	THIRD ANGLE PROJECTION		southco CONNECT · CREATE · INNOVATE
	MILLIMETERS [IN]		
SURFACE AREA mm ²	TOLERANCES UNLESS OTHERWISE NOTED		DESCRIPTION IBM z15 RACK LEVEL SECURITY KIT H3-EM RETROFIT KIT
VOLUME mm ³	ALL DIMENSIONS WITHOUT TOLERANCES ARE FOR REFERENCE ONLY.		SIZE SYSTEM A2 NX
PROPRIETARY ITEM EXCEPT FOR USES EXPRESSLY GRANTED IN WRITING, INFORMATION DISCLOSED HEREON IS CONFIDENTIAL AND ALL RIGHTS, PATENT AND OTHERWISE, ARE RESERVED BY SOUTHCO, INC.	PER ASME Y14.5M-1994	DRAWN BY CDW	DWG NO. J-H3-EM-99-610
		DATE 13APR2020	SCALE 1:1
			SHEET 9 OF 12

8

7

6

5

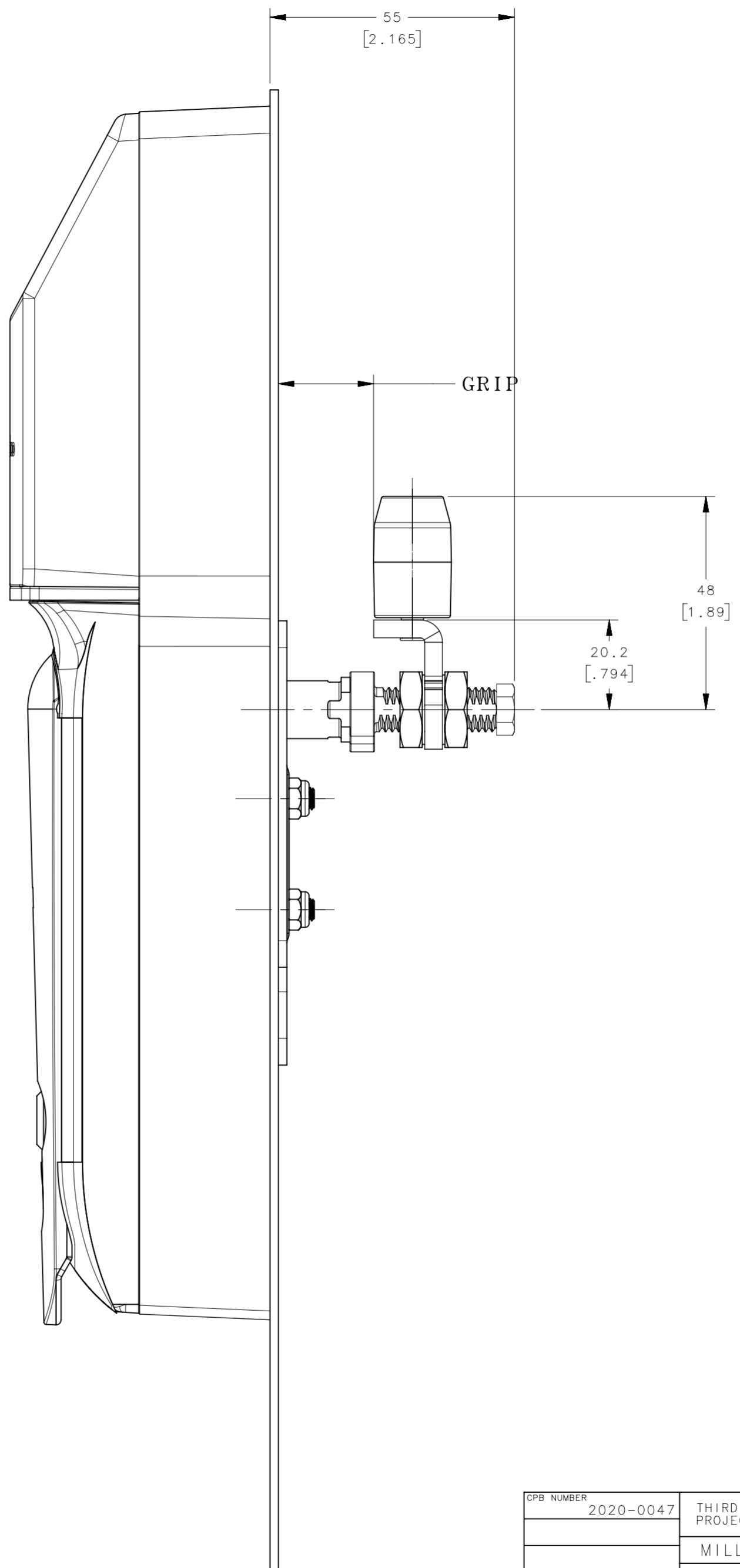
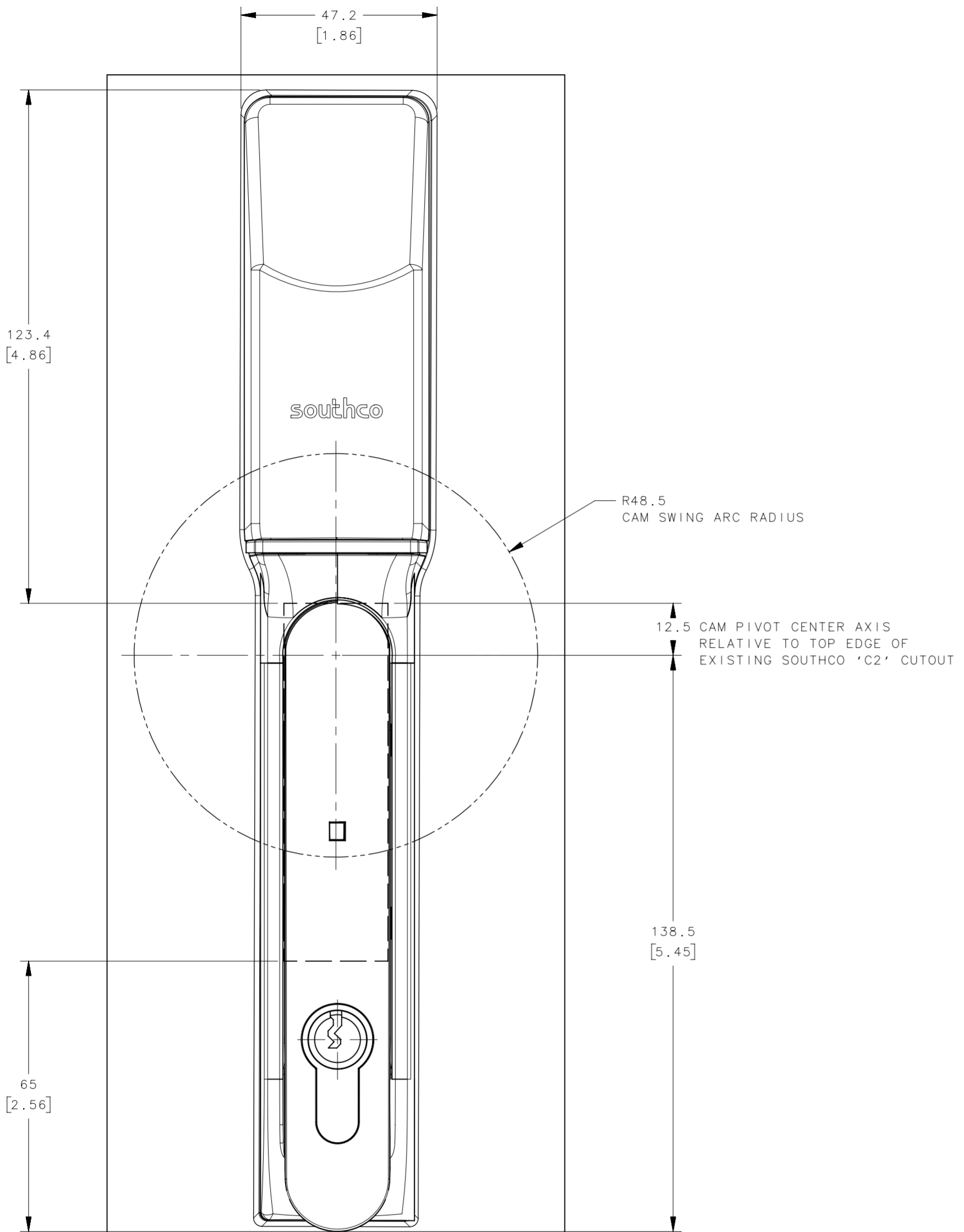
4

3

2

1

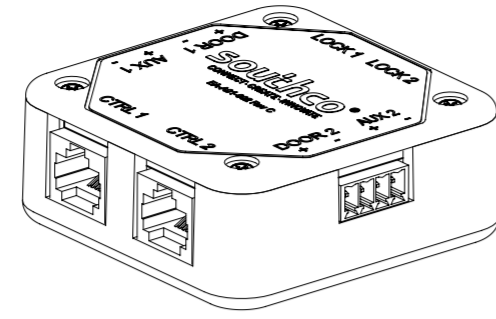
REVISION HISTORY			
REV	DATE	BY	DESCRIPTION
A	04MAY2020	MJS/CDW	1P-2020-1109



CPB NUMBER 2020-0047	THIRD ANGLE PROJECTION		southco [®] CONNECT · CREATE · INNOVATE
	MILLIMETERS [IN]		
SURFACE AREA mm ²	TOLERANCES UNLESS OTHERWISE NOTED		DESCRIPTION IBM z15 RACK LEVEL SECURITY KIT H3-EM RETROFIT KIT
VOLUME mm ³	ALL DIMENSIONS WITHOUT TOLERANCES ARE FOR REFERENCE ONLY.		SIZE SYSTEM A2 NX
PROPRIETARY ITEM EXCEPT FOR USES EXPRESSLY GRANTED IN WRITING, INFORMATION DISCLOSED HEREON IS CONFIDENTIAL AND ALL RIGHTS, PATENT AND OTHERWISE, ARE RESERVED BY SOUTHCO, INC.	PER ASME Y14.5M-1994	DWG NO. J-H3-EM-99-610	DRAWN BY CDW
		DATE 13APR2020	SCALE 1:1
			SHEET 10 OF 12

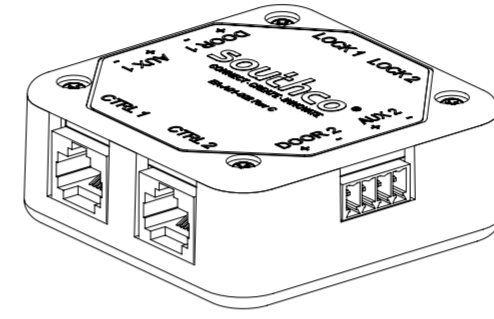
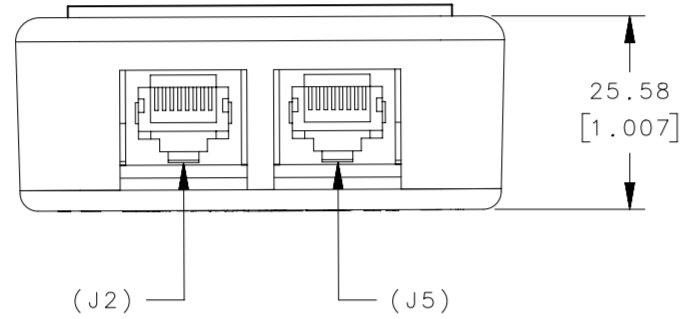
REVISION HISTORY			
REV	DATE	BY	DESCRIPTION
A	04MAY2020	MJS/CDW	IP-2020-1109

4 SECURITY INTEGRATION KIT
PART NUMBER: EA-A01-102

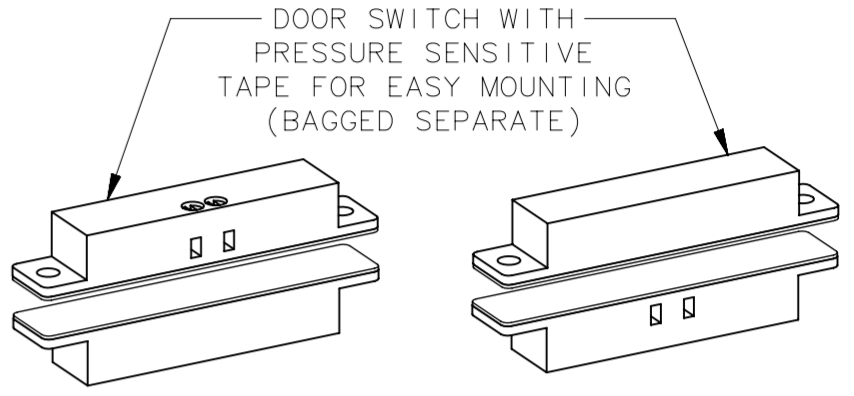


NOTES:

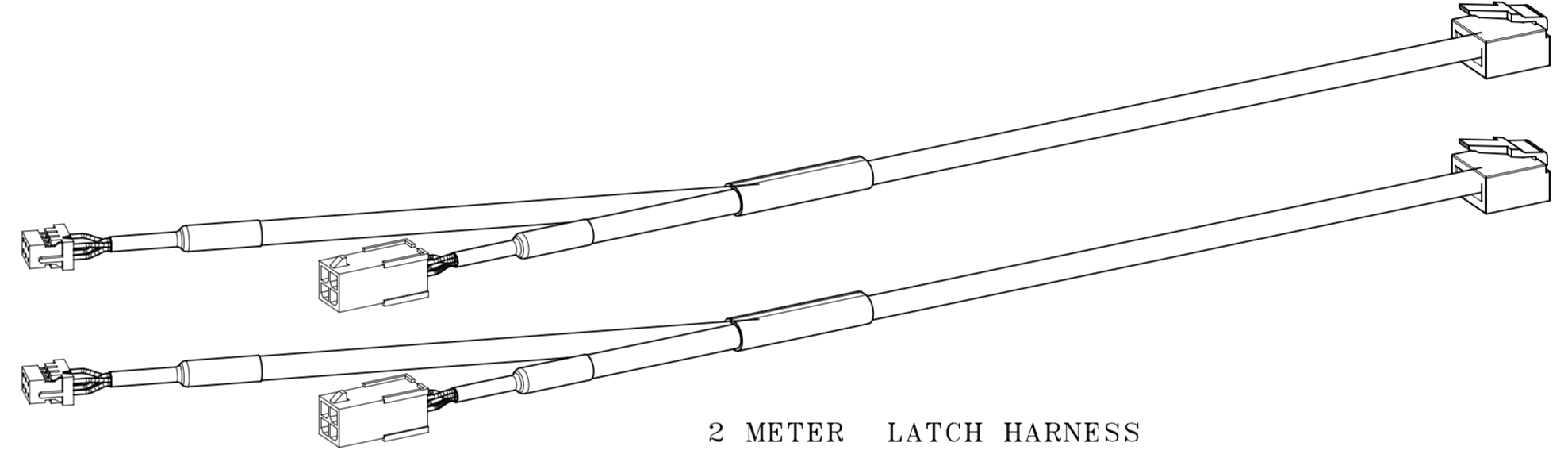
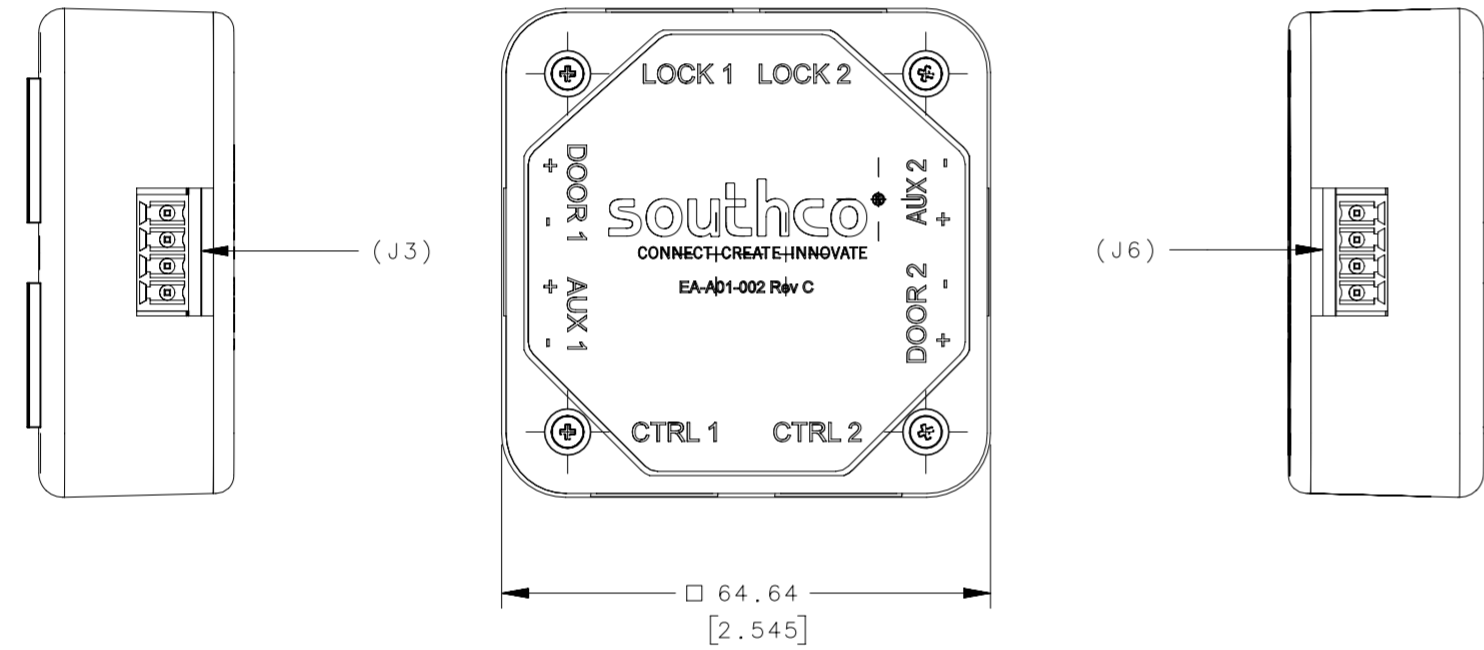
1. MATERIALS ARE RoHS COMPLIANT.
FOR MATERIAL INFORMATION SEE INDIVIDUAL COMPONENT TRADE DRAWINGS
2. AUX AND DOOR SWITCH CONTACTS NOT TO EXCEED .5AMP (200VDC).
3. SEE SHEET 12 FOR DOOR SWITCHES AND HARNESSES INSTALLATION DIAGRAM.



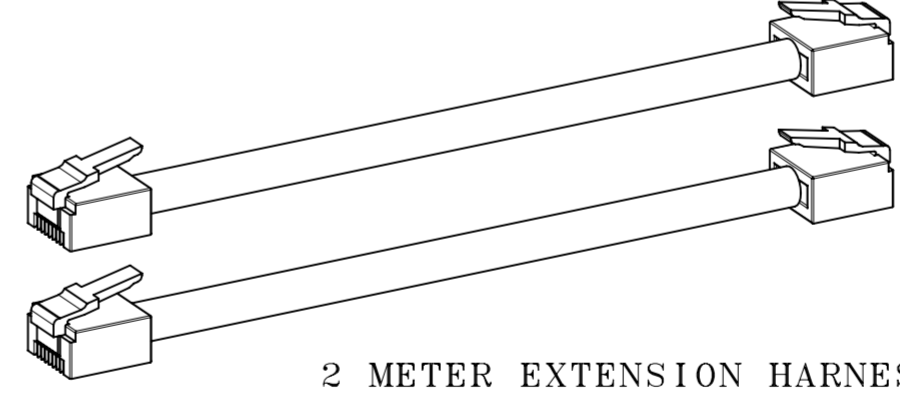
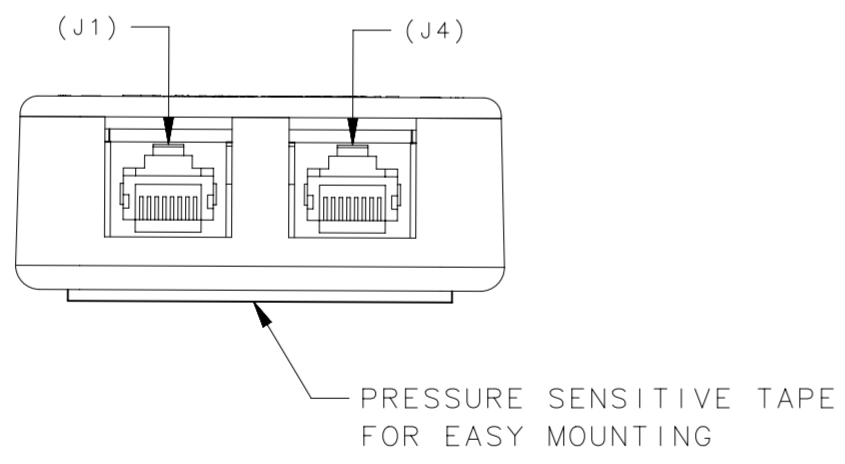
INTERCONNECT BOX ASSEMBLY



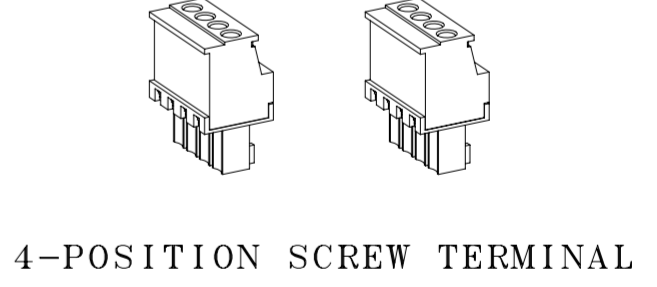
DOOR SWITCH



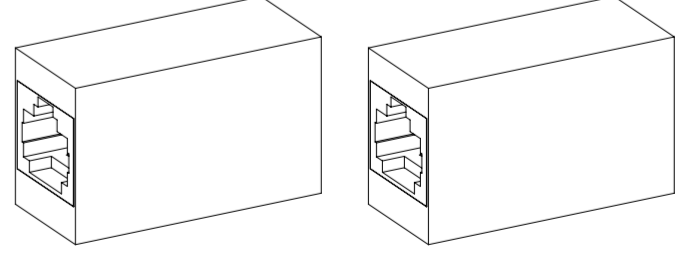
2 METER LATCH HARNESS



2 METER EXTENSION HARNESS



4-POSITION SCREW TERMINAL

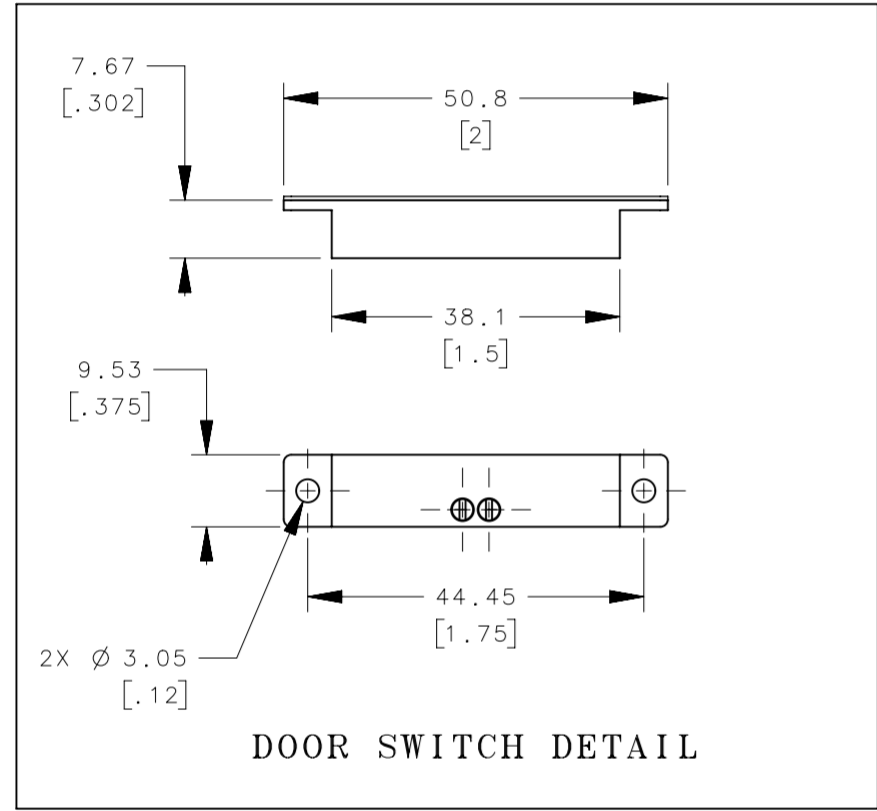
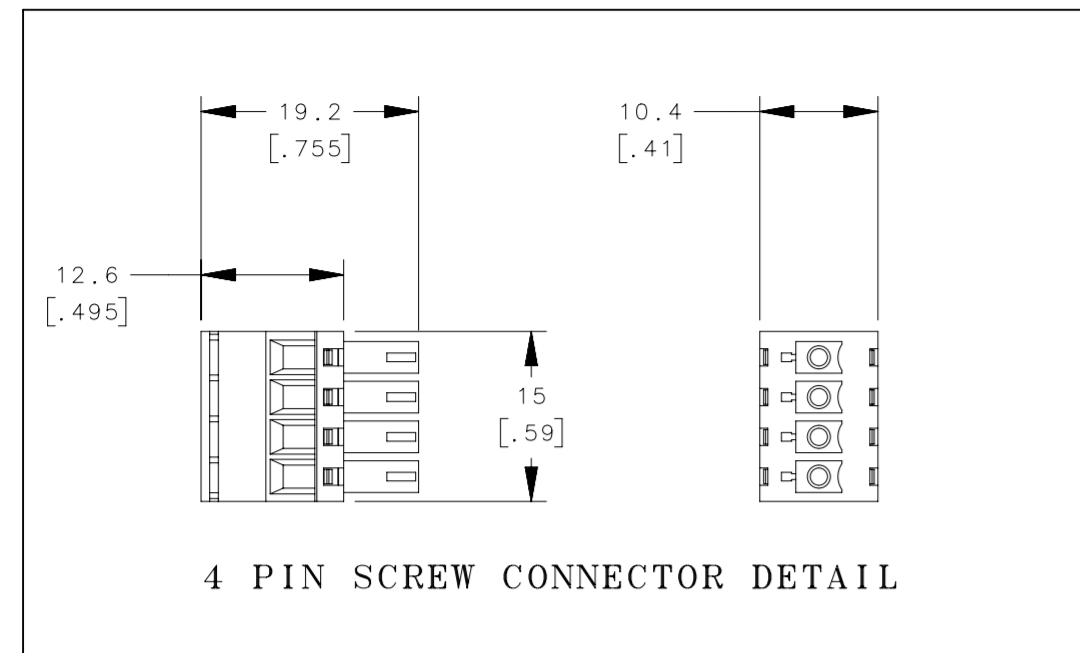


RJ45 UNION

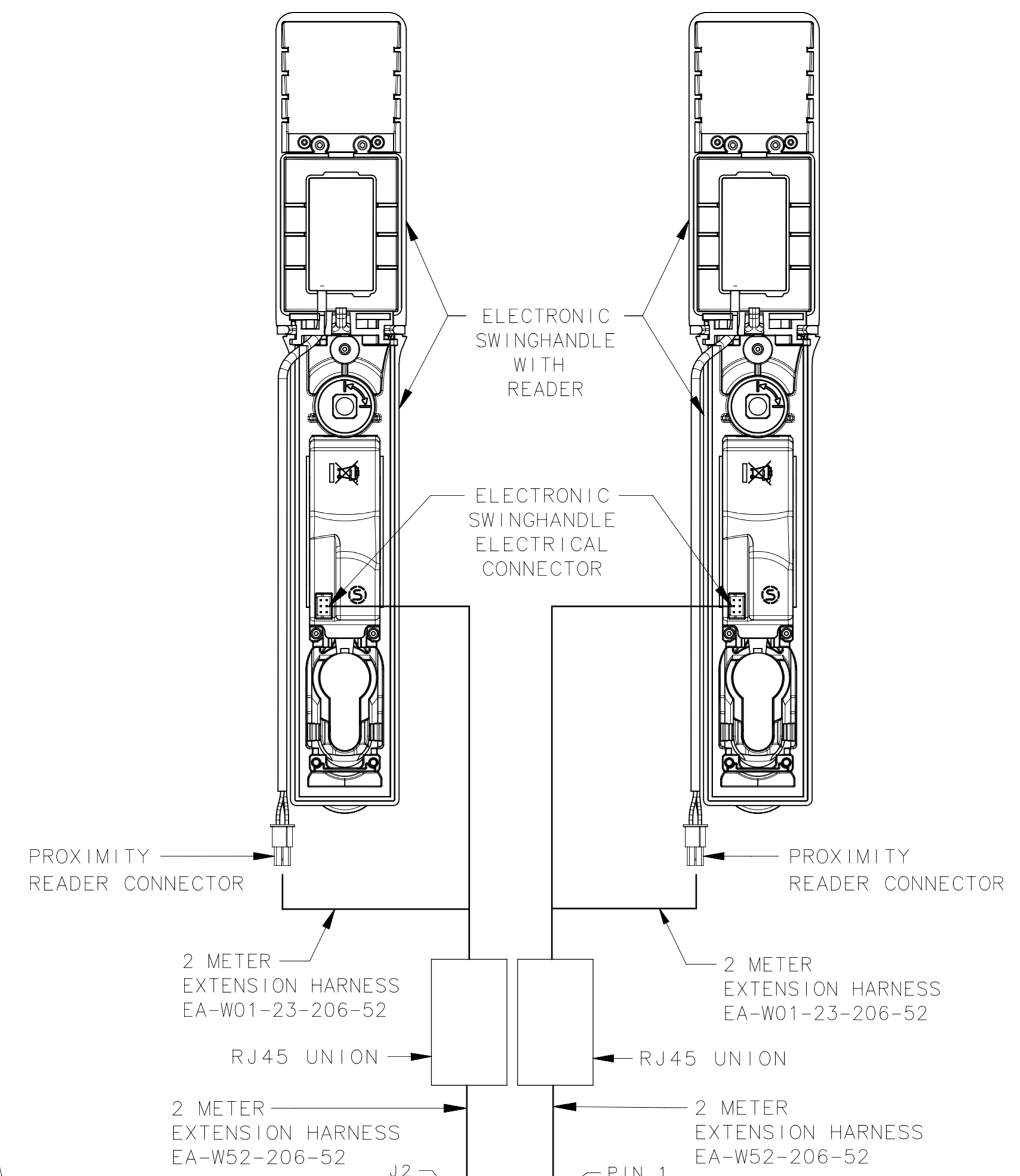
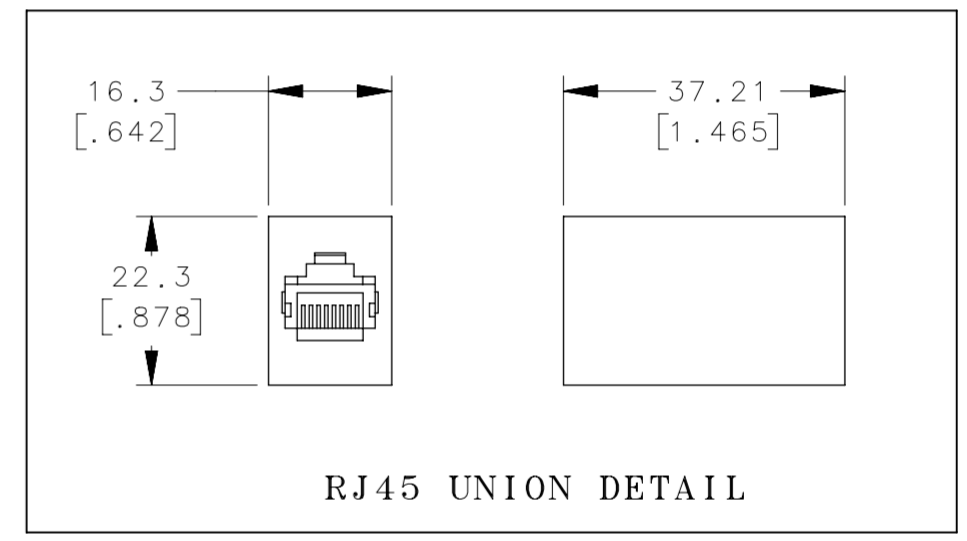
7	J-EA-A01-102-M	1	USER INSTRUCTIONS	
6	EA-A10-004	2	RJ45 UNION	
5	EA-A20-001	2	4-POSITION SCREW TERMINAL	
4	EA-W52-206-52	2	2 METER EXTENSION HARNESS	
3	EA-W01-23-206-52	2	2 METER LATCH HARNESS	
2	EA-A80-002	2	DOOR SWITCH	INCLUDES 2 TERMINAL SCREWS AND 4 MOUNTING SCREWS (NOT SHOWN)
1	EA-A01-002	1	INTERCONNECT BOX ASSEMBLY	
-	EA-A01-102	-	SECURITY INTEGRATION KIT	-
NO.	PART NUMBER	QTY	TYPE OF COMPONENT	DETAILS

CPB NUMBER 2020-0047	THIRD ANGLE PROJECTION		 CONNECT · CREATE · INNOVATE
	MILLIMETERS [IN]		
SURFACE AREA mm ²	TOLERANCES UNLESS OTHERWISE NOTED		DESCRIPTION IBM z15 RACK LEVEL SECURITY KIT SECURITY INTEGRATION KIT
VOLUME mm ³	ALL DIMENSIONS WITHOUT TOLERANCES ARE FOR REFERENCE ONLY.		SIZE SYSTEM A2 NX DWG NO. J-H3-EM-99-610
PROPRIETARY ITEM EXCEPT FOR USES EXPRESSLY GRANTED IN WRITING, INFORMATION DISCLOSED HEREON IS CONFIDENTIAL AND ALL RIGHTS, PATENT AND OTHERWISE, ARE RESERVED BY SOUTHCO, INC.	PER ASME Y14.5M-1994	DRAWN BY CDW	DATE 13APR2020 SCALE 1:1 SHEET 11 OF 12

REVISION HISTORY			
REV	DATE	BY	DESCRIPTION
A	04MAY2020	MJS/CDW	IP-2020-1109



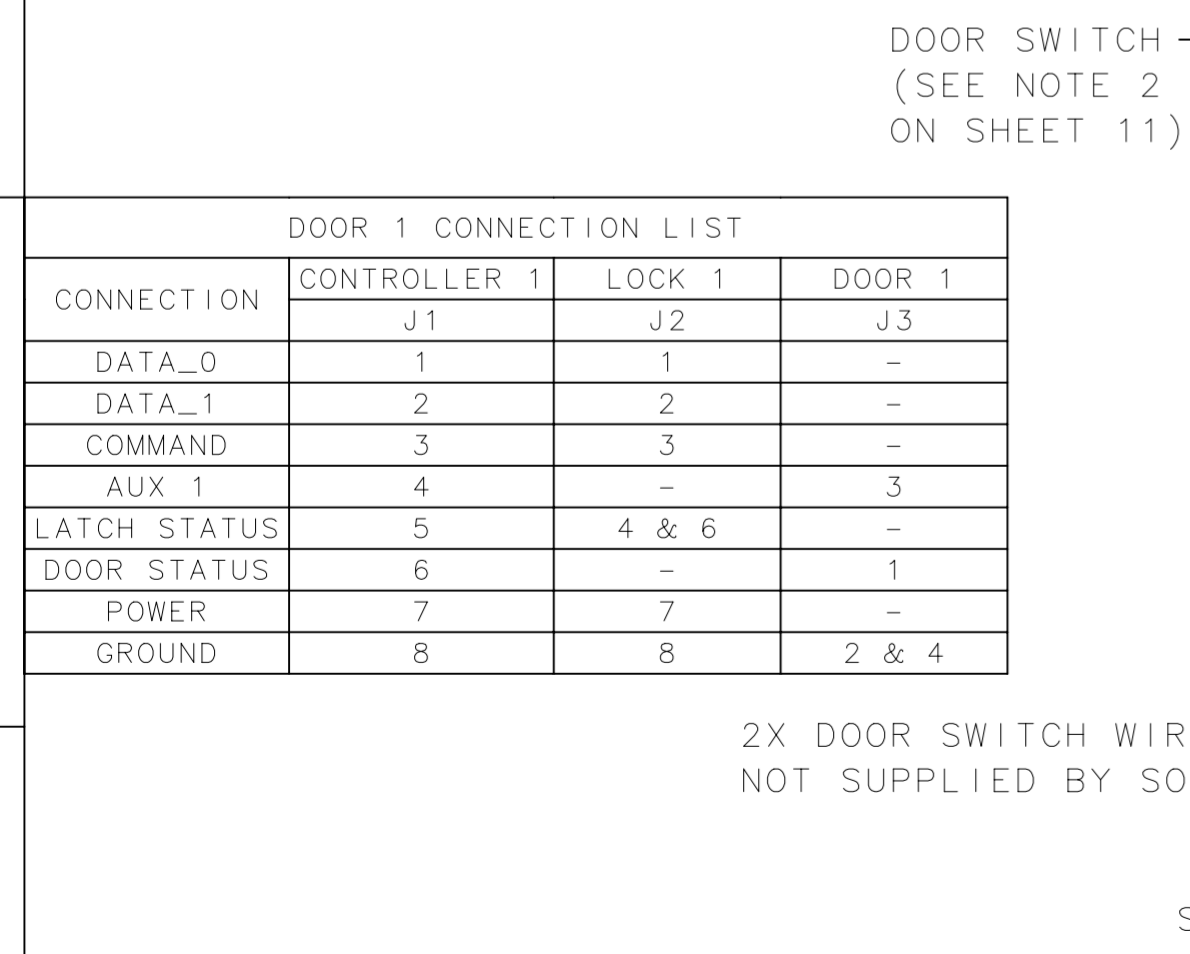
CONNECTION OVERVIEW		
CONNECTOR	FUNCTION	DESCRIPTION
J1	CTRL 1	INPUT FROM SECURITY CONTROLLER 1
J2	LOCK 1	DOOR 1 LATCH
J3	DOOR 1	DOOR 1 STATUS
	AUX 1	
J4	CTRL 2	INPUT FROM SECURITY CONTROLLER 2
J5	LOCK 2	DOOR 2 LATCH
J6	DOOR 2	DOOR 2 STATUS
	AUX 2	



DOOR 1 CONNECTION LIST			
CONNECTION	CONTROLLER 1	LOCK 1	DOOR 1
	J1	J2	J3
DATA_0	1	1	-
DATA_1	2	2	-
COMMAND	3	3	-
AUX 1	4	-	3
LATCH STATUS	5	4 & 6	-
DOOR STATUS	6	-	1
POWER	7	7	-
GROUND	8	8	2 & 4

DOOR 2 CONNECTION LIST			
CONNECTION	CONTROLLER 2	LOCK 2	DOOR 2
	J4	J5	J6
DATA_0	1	1	-
DATA_1	2	2	-
COMMAND	3	3	-
AUX 2	4	-	3
LATCH STATUS	5	4 & 6	-
DOOR STATUS	6	-	1
POWER	7	7	-
GROUND	8	8	2 & 4

TABLE: CTRL 1 AND CTRL 2 WIRE COLORS			
CONNECTION	PIN	STANDARD T568A AND T568B WIRE COLORS	
		T568A	T568B
DATA_0	1	WHITE/GREEN	WHITE/ORANGE
DATA_1	2	GREEN	ORANGE
COMMAND	3	WHITE/ORANGE	WHITE/GREEN
AUX	4	BLUE	BLUE
LATCH STATUS	5	WHITE/BLUE	WHITE/BLUE
DOOR STATUS	6	ORANGE	GREEN
POWER	7	WHITE/BROWN	WHITE/BROWN
GROUND	8	BROWN	BROWN



NOTE: J1 AND J4 CONTROLLER CONNECTIONS BY OTHERS

CPB NUMBER 2020-0047	THIRD ANGLE PROJECTION	 CONNECT · CREATE · INNOVATE
	MILLIMETERS [IN]	
SURFACE AREA mm ²	TOLERANCES UNLESS OTHERWISE NOTED	DESCRIPTION IBM z15 RACK LEVEL SECURITY KIT SECURITY INTEGRATION KIT
VOLUME mm ³	ALL DIMENSIONS WITHOUT TOLERANCES ARE FOR REFERENCE ONLY.	
PROPRIETARY ITEM EXCEPT FOR USES EXPRESSLY GRANTED IN WRITING, INFORMATION DISCLOSED HEREON IS CONFIDENTIAL AND ALL RIGHTS, PATENT AND OTHERWISE, ARE RESERVED BY SOUTHCO, INC.	PER ASME Y14.5M-1994	SIZE SYSTEM A2 NX DWG NO. J-H3-EM-99-610 DRAWN BY CDW DATE 13APR2020 SCALE 1:1 SHEET 12 OF 12