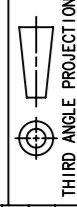


REV	DATE	DRAWN/CHKD	DESCRIPTION
M	13AUG2004	VNI/RLR	PRN: P2004-0893
N	09NOV2004	MDY/RLR	PRN: P2004-1308
O	23SEP2011	MJS/DM	PRN: P2011-0647
P	08MAR2012	MJS	PRN: P2012-0322
Q	23JUL2013	MJS/TVA	PRN: P2013-1498
R	13AUG2018	CMS/LT	PRN: P2018-1902
S	17DEC2021	RSN/MBT	PRN: P2021-2431
T	17MAY2022	CMS/CTG	PRN: P2022-0794

DATE	CHKD	SCALE	DRAWING NUMBER
23FEB93	JGK	1:1	J-C2-32-2

THIRD ANGLE PROJECTION

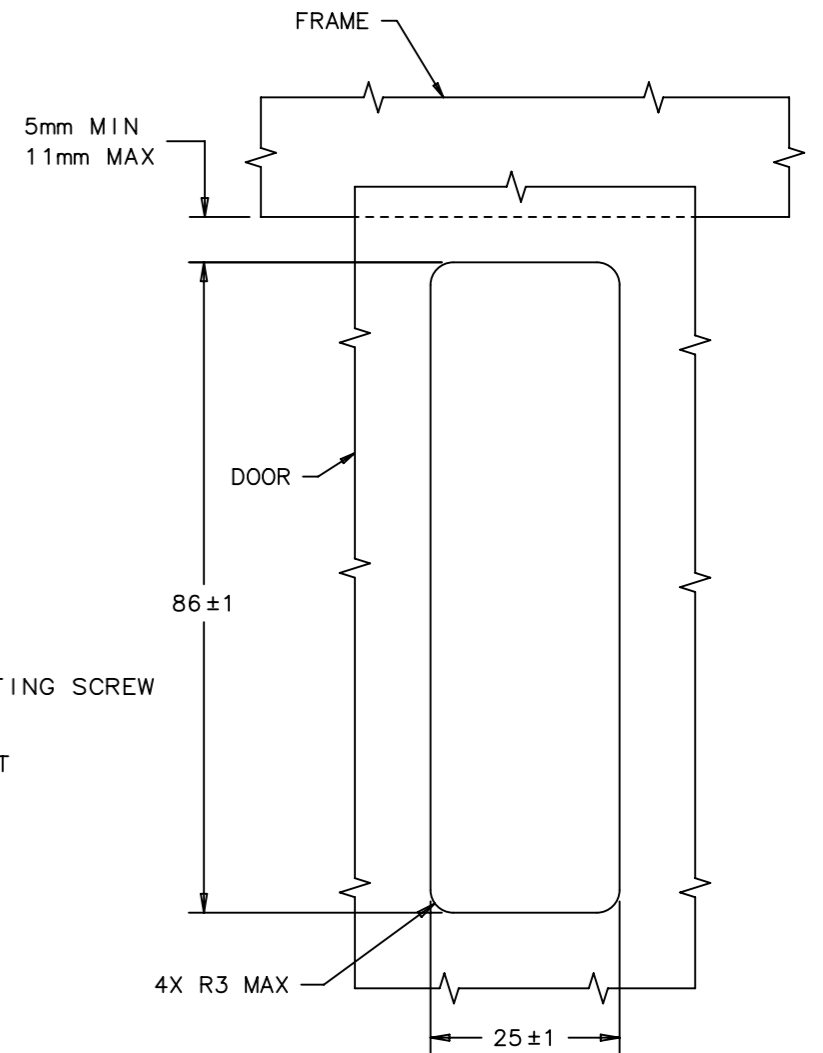
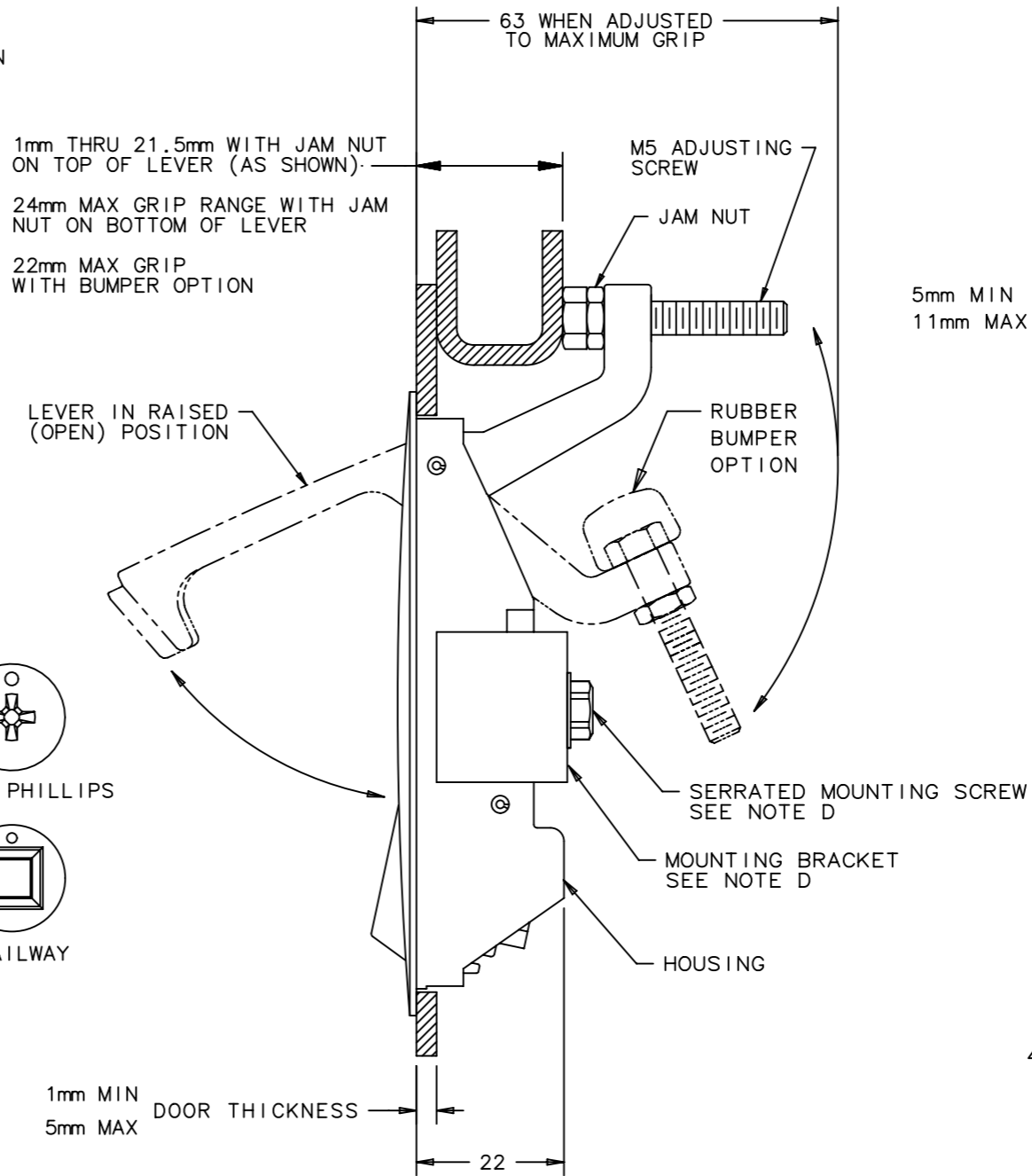
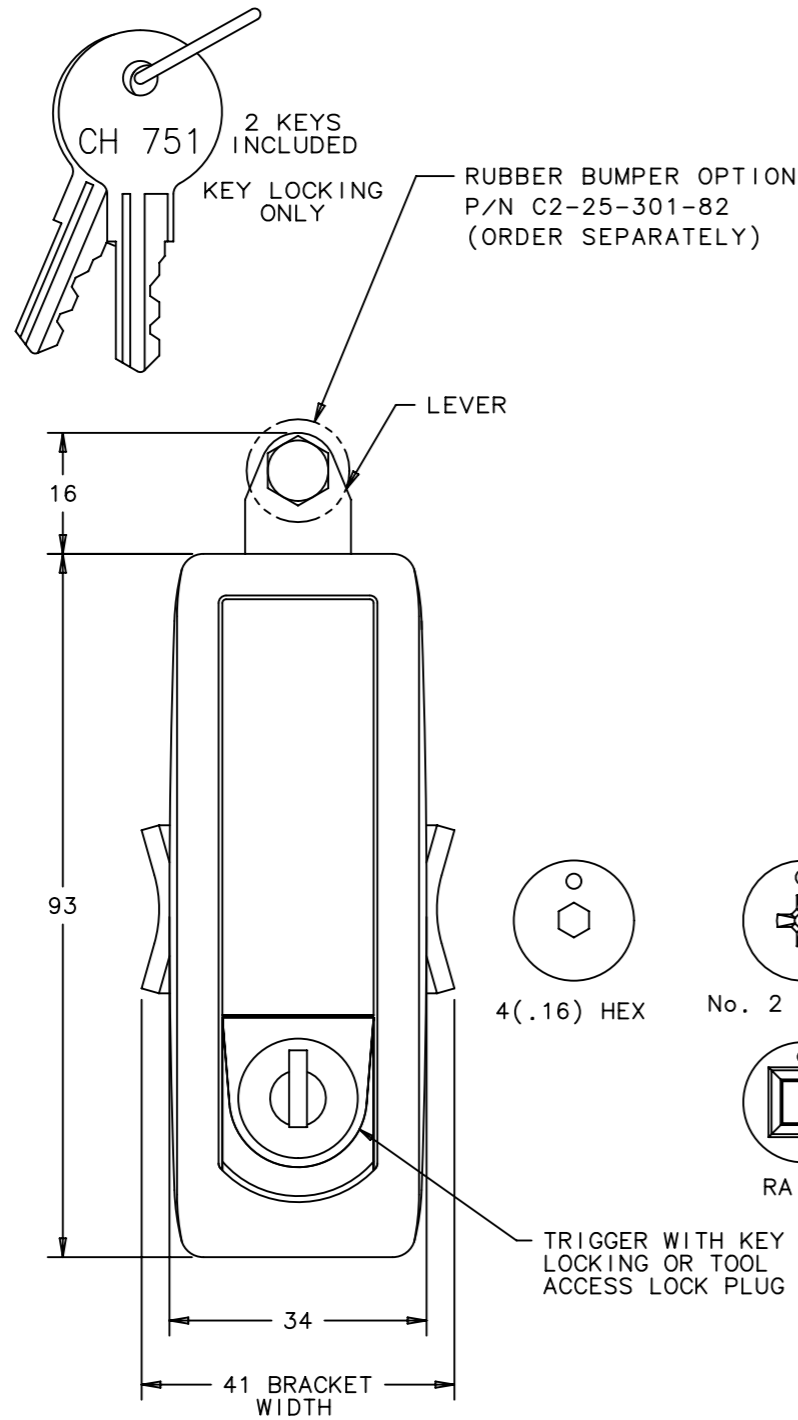


A3 PAPER SIZE

MILLIMETERS

ALL DIMENSIONS WITHOUT TOLERANCES ARE FOR REFERENCE ONLY.

	ASSEMBLY PART NUMBER TABLE	
	BLACK POWDER COATED	TEXTURED CHROME FINISH
KEY LOCKING	C2-32-25	C2-32-21
4mm HEX RECESS	C2-32-45	C2-32-41
No. 2 PHILLIPS	C2-32-105	C2-32-101
WITHOUT LOCK PLUG	C2-32-135	C2-32-131
RAILWAY	C2-32-145	C2-32-141



PANEL PREPARATION

NOTES:

- A. MATERIAL AND FINISH
- HOUSING, LEVER, LOCK PLUG AND TRIGGER: DIE CAST ZINC, SEE ASSEMBLY PART NUMBER TABLE.
  - U-SPRING: 302 STAINLESS STEEL, PASSIVATED.
  - TORSION SPRING: 302 STAINLESS STEEL, NATURAL.
  - SPIROL PIN: SAE 51420, NATURAL
  - SCREWS AND HEX NUT: LOW CARBON STEEL, ZINC ALLOY PLATE BRIGHT PLUS SEALER.
  - BRACKET: 1010 STEEL, ZINC ALLOY PLATE BRIGHT PLUS SEALER.
  - KEYS: BRASS, NICKEL PLATED.
- B. MOUNTING SCREW IS A M5 SCREW. USE LONGER SCREWS (NOT SUPPLIED) FOR THICKER DOORS.
- C. LOCKPLUG INSTALLATION:
- POSITION LOCKPLUG AND ORIENT RETAINING WAFER (LAST WAFER LOCATED AT THE BOTTOM OF LOCK) AT THE 3 O'CLOCK POSITION AND INSERT INTO THE TRIGGER.
  - BE SURE THE LOCKPLUG IS FULLY SEATED AGAINST THE TRIGGER, THEN REMOVE KEY.
- D. MOUNTING BRACKET AND SCREW ASSEMBLY PACKAGED IN PLASTIC BAG, SHIPPED UNASSEMBLED.