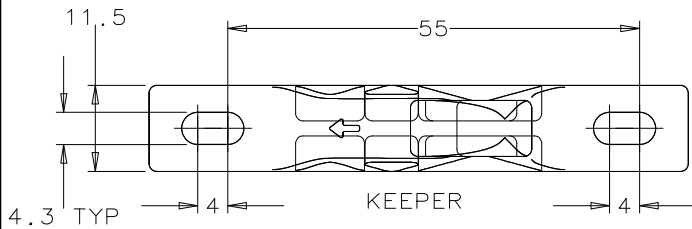
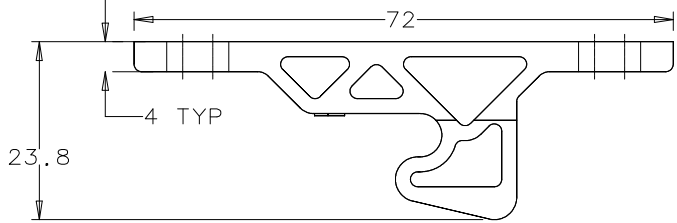
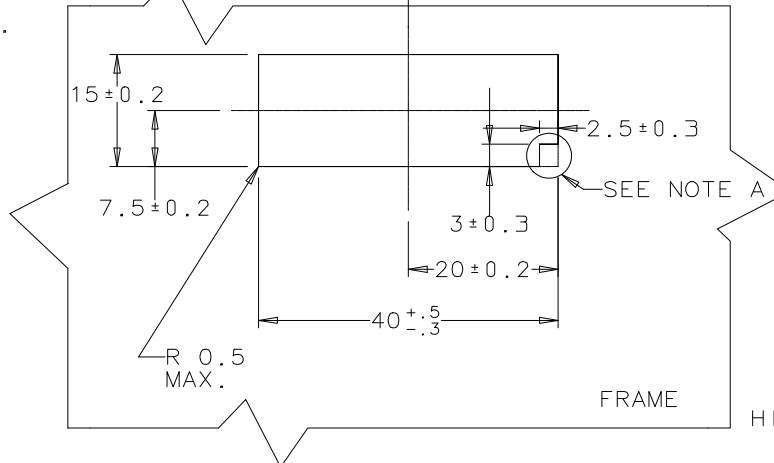
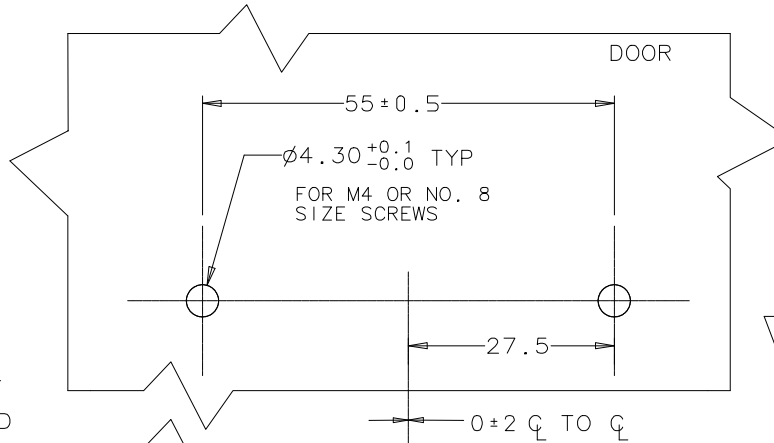
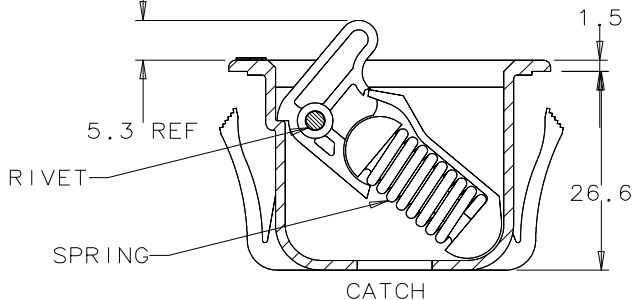
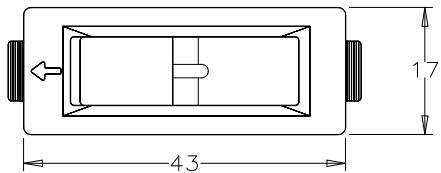


REV.	DATE	BY-CHKD	REVISIONS	ASSEMBLY PART NUMBERS		PACKAGING NOTE: CATCH AND KEEPER SHIPPED SEPARATELY, BULK. FOR CATCH AND KEEPER PACKAGED ONE PER BAG, ADD -P TO PART NUMBER. EXAMPLE: C3-703-P  INSTALLATION INSTRUCTIONS: SNAP CATCH INTO FRAME. MOUNT KEEPER TO DOOR AND ADJUST FOR SMOOTH LATCHING.
A	26 MAY 94	LBZ	PRN: C3-66	PULL-UP FORCE	BLACK	
B	05AUG96	GDM	PRN: C3-98	13N	C3-703	
C	02MAR98	GAT	PRN: C3-127; REVISED LEG INSERTS	22N	C3-705	
D	15MAY98	AJH CHW	PRN: C3-132	44N	C3-710	
E	02JAN2019	CMS JW	PRN: P2018-0008	MATERIAL AND FINISH:		
F	16DEC2020	CMS RZ	PRN: P2020-2246	RIVET: 5056 ALUMINUM, NATURAL. HOUSING: GLASS FILLED NYLON, BLACK SPRING: 302 STAINLESS STEEL (22N ASSY'S PASSIVATED, 13N AND 44N ASSY'S PASSIVATED BLACK OXIDE) KEEPER: MINERAL FILLED NYLON, BLACK OTHER COMPONENTS: GLASS FIBER REINFORCED NYLON.		

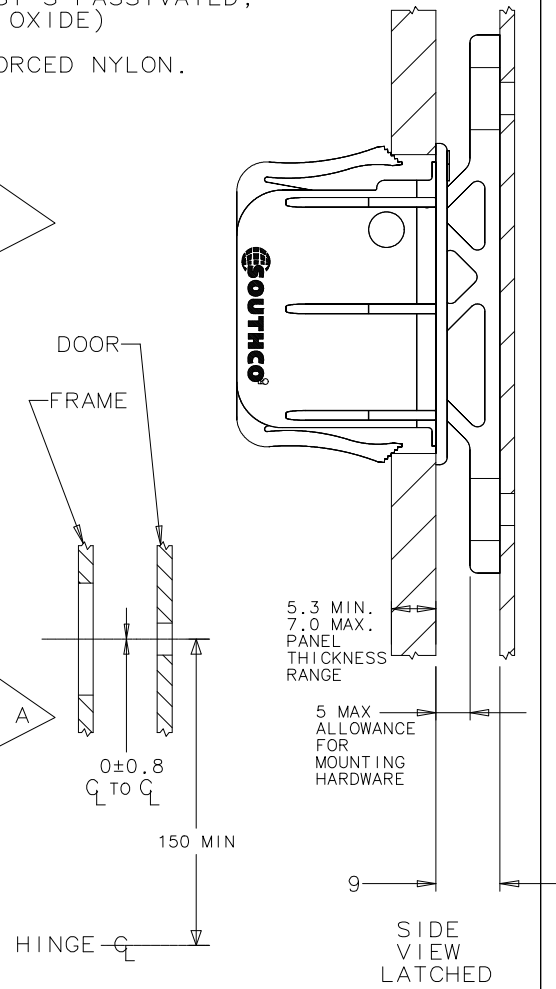


BE SURE THE ARROW ON THE KEEPER AND THE HOUSING ARE POINTING IN THE SAME DIRECTION DURING INSTALLATION.



PANEL PREPARATION

NOTE A: THIS FEATURE IS TO ACCOMMODATE OPTIONAL ONE WAY INSTALLATION.



PANEL PREPARATION TOP VIEW

SIDE VIEW LATCHED

FORMATA 3/88