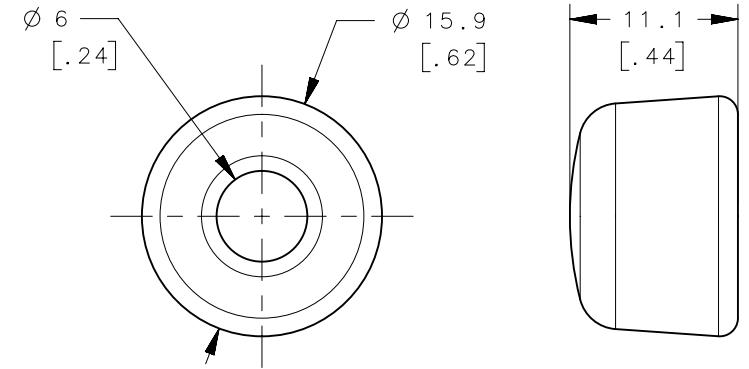
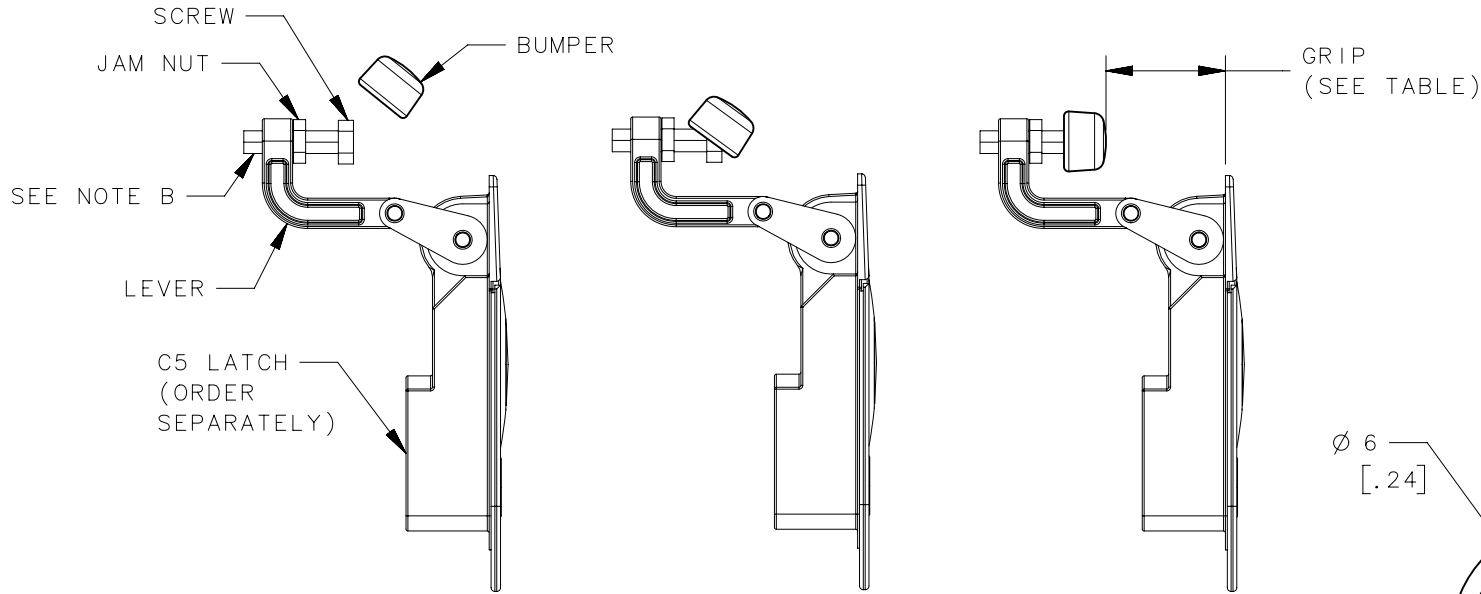


INSTALLATION NOTES:

1. PRESS BUMPER ONTO SCREW HEAD AT 45° AS SHOWN.  
CONTINUE TO PUSH UNTIL BUMPER SLIPS OVER BOTTOM OF SCREW.



		SHORT GRIP	MEDIUM GRIP	LONG GRIP
NO BUMPER	MIN	1	14	29
	MAX	14	29	45
WITH BUMPER*	MIN	1	11.6	26.6
	MAX	11.6	26.6	42.6

\* FOR EXISTING APPLICATIONS, ADDING BUMPER DECREASES GRIP BY 2.4 MILLIMETERS (SEE NOTE A)

NOTES:

- A. GRIP WITH BUMPER ASSUMES 445N (100 LB) COMPRESSION LOAD.
- B. FOR MAXIMUM GRIP WITH BUMPER, TIGHTEN JAM NUT TO THE UNDERSIDE OF THE LEVER ARM.

	THIRD ANGLE PROJECTION	
	MILLIMETERS [IN]	
	TOLERANCES UNLESS OTHERWISE NOTED	
	ALL DIMENSIONS WITHOUT TOLERANCES ARE FOR REFERENCE ONLY.	
PROPRIETARY ITEM EXCEPT FOR USES EXPRESSLY GRANTED IN WRITING, INFORMATION DISCLOSED HEREON IS CONFIDENTIAL AND ALL RIGHTS, PATENT AND OTHERWISE, ARE RESERVED BY SOUTHCO, INC.	PER ASME Y14.5M-1994	

REVISION HISTORY			
REV	DATE	BY	DESCRIPTION
C	03DEC2013	TVA/MJS	PRN: P2013-2404

C5-25-301-82		NEOPRENE, BLACK	
PART NUMBER		MATERIAL	
<b>southco</b> <sup>®</sup> CONNECT • CREATE • INNOVATE			
DESCRIPTION C5 BUMPER			
SIZE A4	SYSTEM NX	DWG NO. J-C5-25-301	
DRAWN BY REG	DATE 05OCT2012	SCALE 1:2	SHEET 1 OF 1