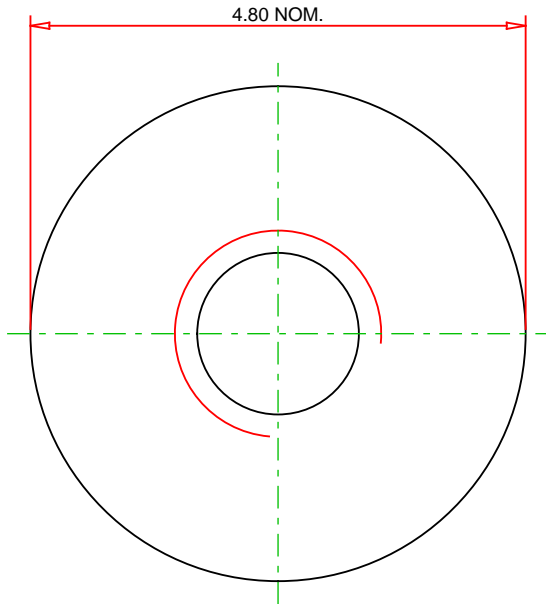
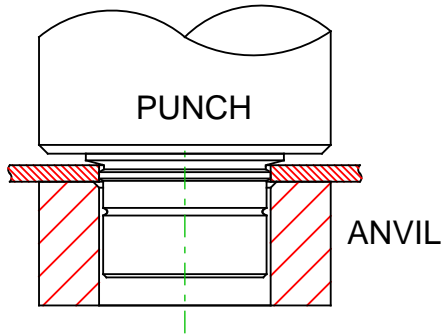
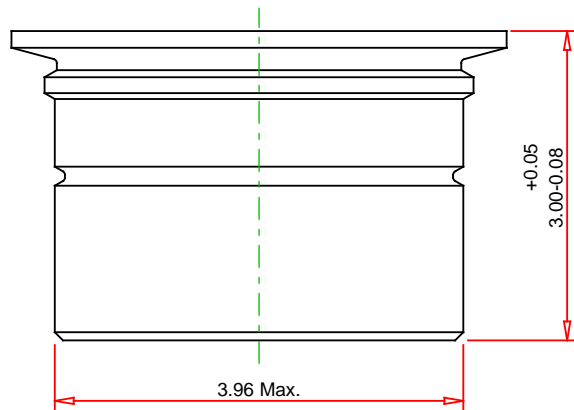
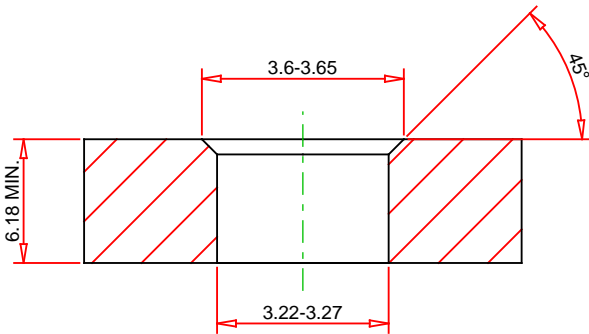


RECOMMENDED  
INSTALLATION  
TOOLING



RECOMMENDED INSTALLATION ANVIL



© 2024 PennEngineering

ALL DIMENSIONS IN MILLIMETERS

DATE 25-JUN-2024

NOTE : DRAWING NOT TO SCALE

THREAD :	M2 x 0.4	MOUNTING HOLE DIA. :	4 +0.05
MATERIAL:	HARDENED 400 SERIES STAINLESS STEEL	PANEL THICKNESS:	0.2 MINIMUM
HEAT TREAT:	YES	MAX. PANEL HARDNESS:	HRC 37 / HB 340
FINISH:	Passivated and/or tested per ASTM A380	MIN CENTERLINE-TO-EDGE:	4.32

DESCRIPTION :  
PEM® TYPE TMSO4™ SELF-CLINCHING MICRO STANDOFFS  
METRIC



PennEngineering®

PART NO. :

TMSO4-M2-300

EMAIL: TECHSUPPORT@PEMNET.COM  
WWW.PEMNET.COM