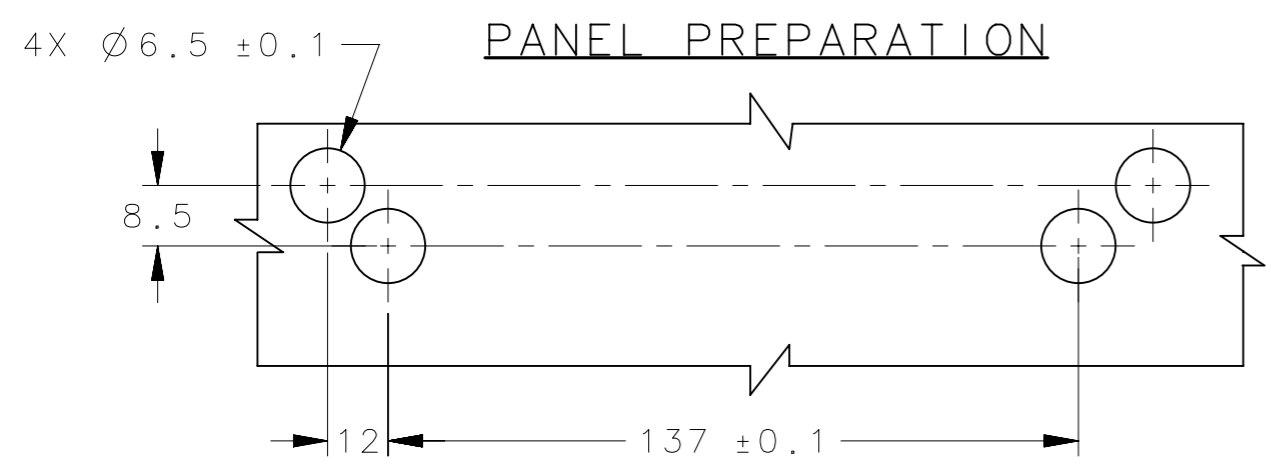
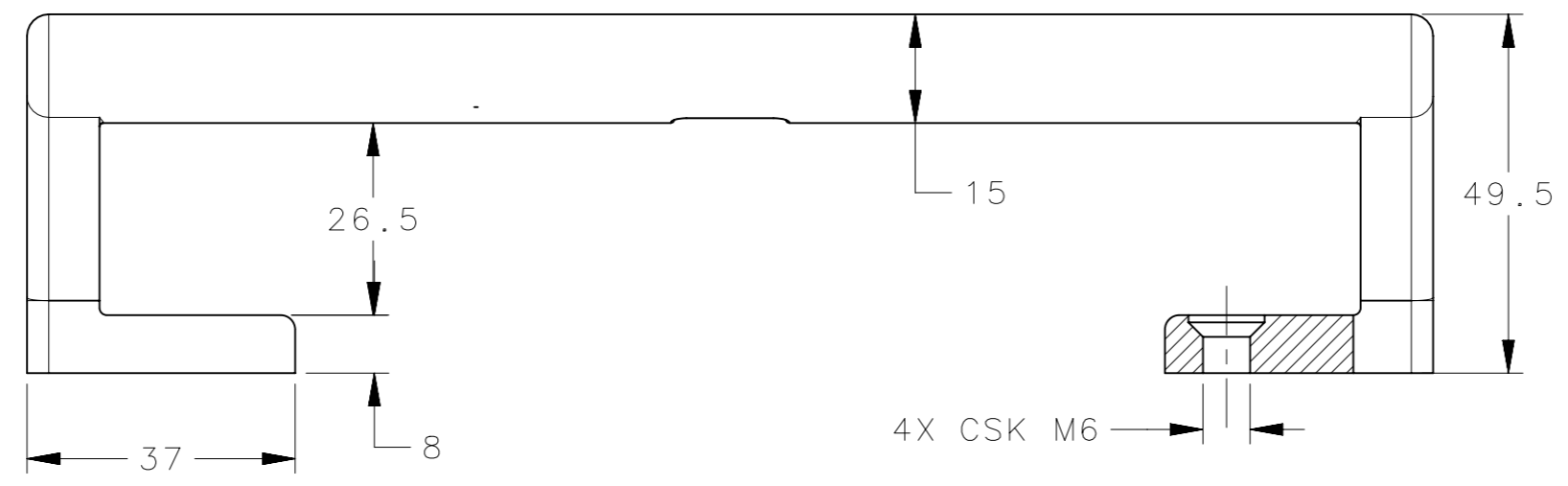
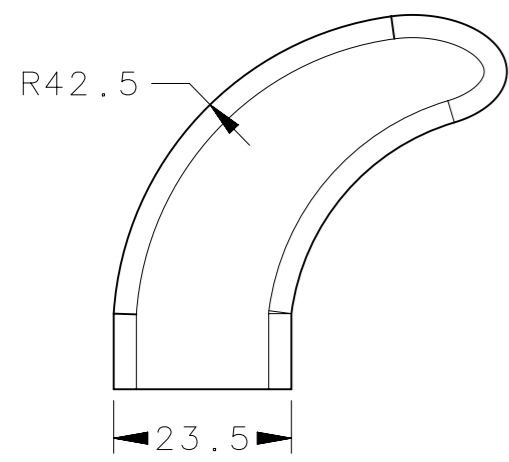
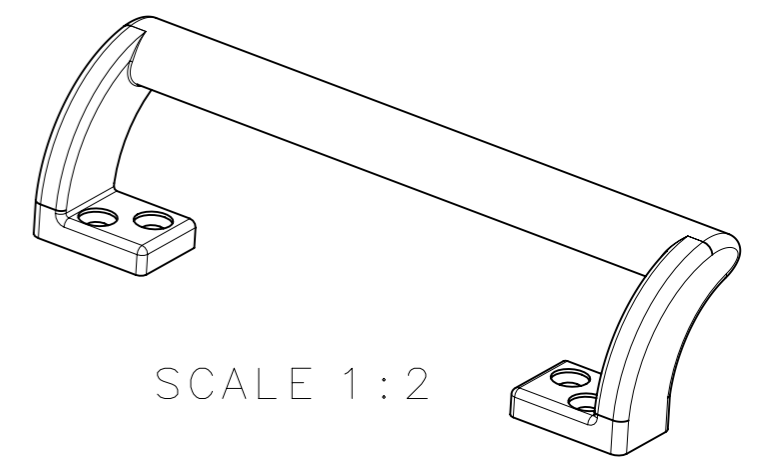
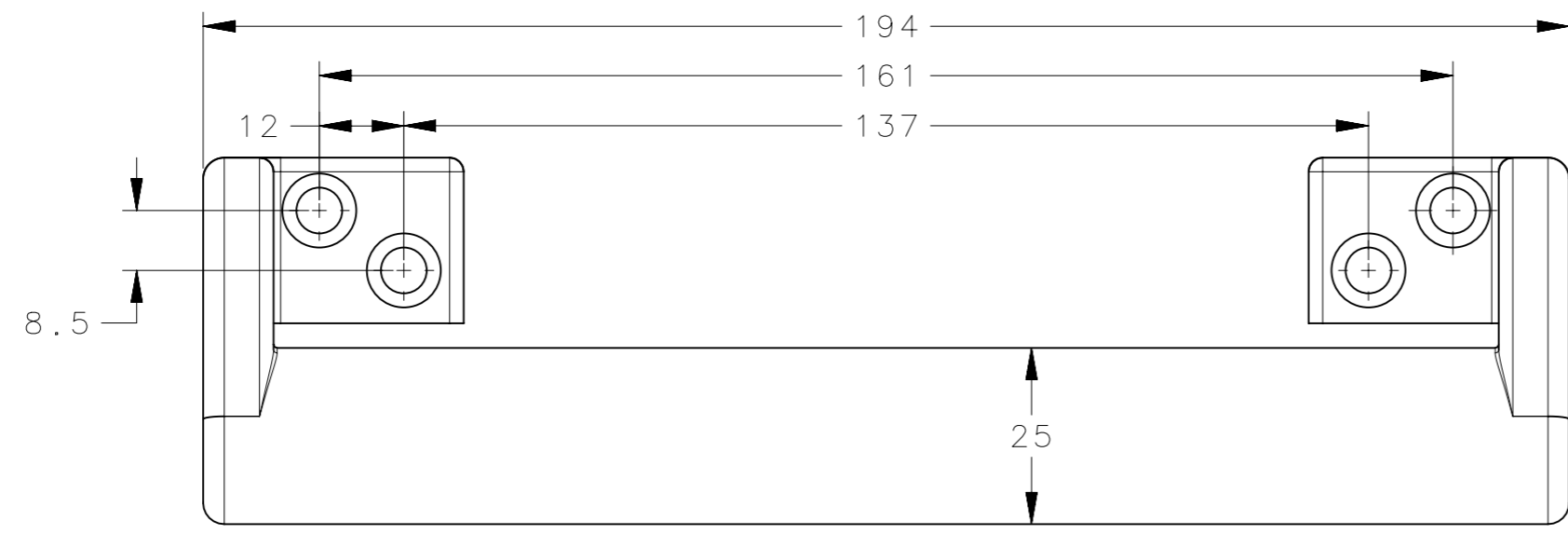


REVISION HISTORY			
REV	DATE	BY	DESCRIPTION
B	25DEC2023	SBK/VK	PRN: P2023-2368



NOTES:-
1. MOUNTING SCREWS NOT SUPPLIED.

B8-DZAH-195-PC		B8-ANGULAR HANDLE		ZINC	BLACK POWDER COAT
SOUTHCO PART NUMBER		DESCRIPTION		MATERIAL	FINISH
CPB NUMBER 2023-0391		THIRD ANGLE PROJECTION			
SURFACE AREA mm ²		MILLIMETERS [IN]			
VOLUME mm ³		TOLERANCES UNLESS OTHERWISE NOTED		DESCRIPTION B8-ANGULAR HANDLE	
PROPRIETARY ITEM		ALL DIMENSIONS WITHOUT TOLERANCES ARE FOR REFERENCE ONLY.		SIZE A3	SYSTEM NX
EXCEPT FOR USES EXPRESSLY GRANTED IN WRITING, INFORMATION DISCLOSED HEREON IS CONFIDENTIAL AND ALL RIGHTS, PATENT AND OTHERWISE, ARE RESERVED BY SOUTHCO, INC.		PER ASME Y14.5M-2009		DWG NO. J-B8-DZAH	DATE 10AUG2023
		DRAWN BY SBK		SCALE 1:1	SHEET 1 OF 1