



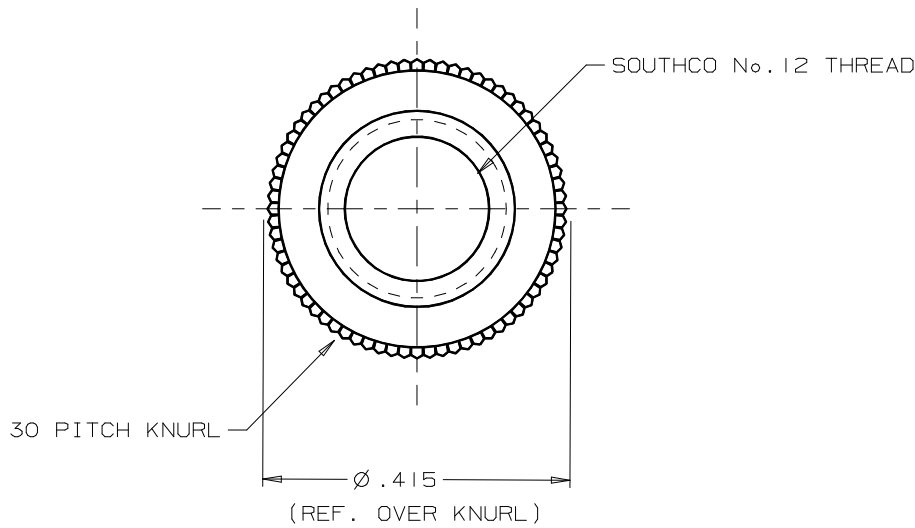
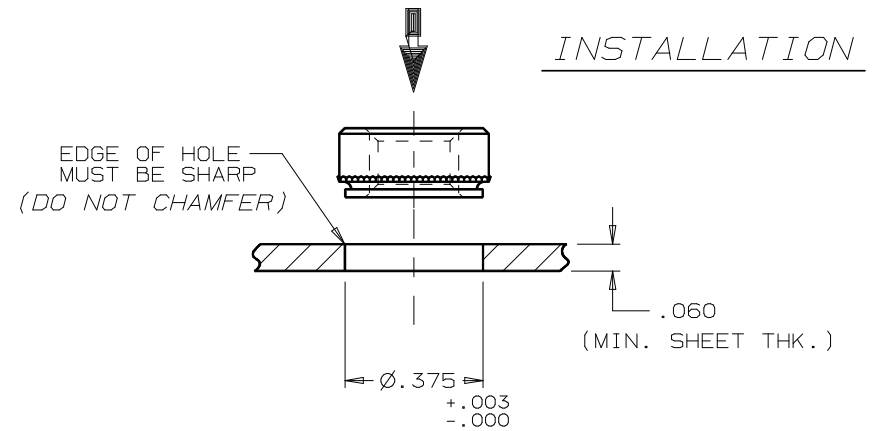
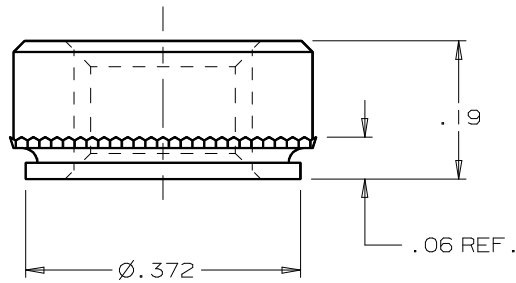
SOUTHCO No. 12 PRESS-IN INSERT

DATE	DRAWN	CHKD	SCALE	DRAWING NUMBER
28JAN93	JGK		4 : 1	J-12-44-101

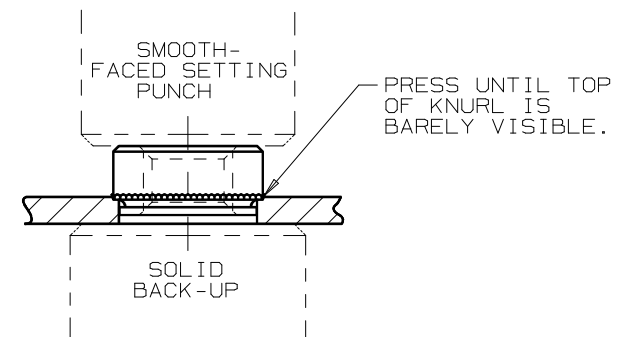
REV.	DATE	BY-CHKD	REVISIONS	PART NUMBER	MATERIAL	HEAT TREAT	FINISH
A	10MAY93	JGK	PRN: 12-173	12-44-101-11	LOW CARBON STEEL	CASE HARDENED	SEE NOTE A
B	08NOV96	JGK	PRN: S-1-06A				

INSERTS:
 FOR USE IN LOW CARBON STEELS THAT ARE HALF HARD OR SOFTER
 AND FOR STAINLESS STEELS IN THE ANNEALED CONDITION.

NOTE A: ZINC PLATE, CHROMATE PLUS SEALER.



INSTALLATION FORCES CAN VARY FROM 1 TO 5 TONS.



FORMAT A 3/88

PROPRIETARY ITEM - EXCEPT FOR USES EXPRESSLY GRANTED IN WRITING
 INFORMATION DISCLOSED HEREON IS CONFIDENTIAL AND ALL RIGHTS PATENT
 AND OTHERWISE ARE RESERVED BY SOUTHCO, INC.

ALL DIMENSIONS ARE IN INCHES.
 ALL DIMENSIONS WITHOUT TOLERANCES ARE REFERENCE.
 THIRD ANGLE PROJECTION DRAWING.

DRAWING NUMBER
 J-12-44-101