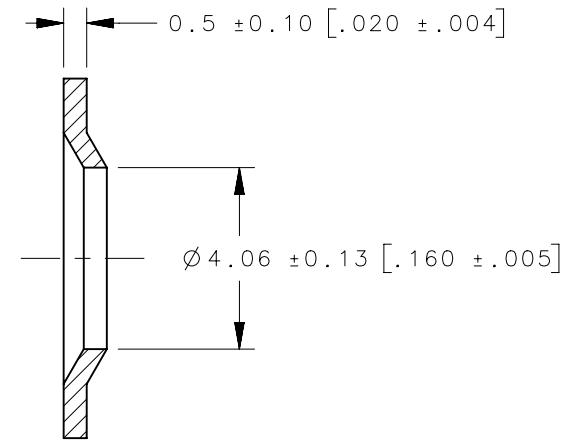
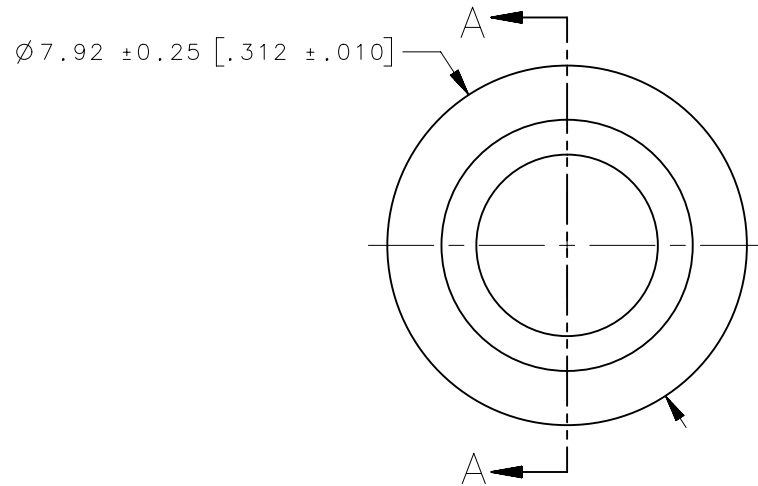


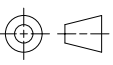

REVISION HISTORY			
REV	DATE	BY	DESCRIPTION
E	24AUG2020	DKP/DMS	PRN: P2020-1608



SCALE 2:1



SECTION A-A

D4-GP3B		POLYPROPYLENE		BLACK	
D4-GP3		HD POLYTHENE		NATURAL	
PART NUMBER		MATERIAL		COLOR	
		THIRD ANGLE PROJECTION 		 CONNECT • CREATE • INNOVATE	
		MILLIMETERS [IN]			
		TOLERANCES UNLESS OTHERWISE NOTED		DESCRIPTION	
		ALL DIMENSIONS WITHOUT TOLERANCES ARE FOR REFERENCE ONLY.		HALF GROMMET	
PROPRIETARY ITEM <small>EXCEPT FOR USES EXPRESSLY GRANTED IN WRITING, INFORMATION DISCLOSED HEREON IS CONFIDENTIAL AND ALL RIGHTS, PATENT AND OTHERWISE, ARE RESERVED BY SOUTHCO, INC.</small>		SIZE A4	SYSTEM NX	DWG NO. J-D4-GP3	
PER ASME Y14.5M-1994		DRAWN BY MJW	DATE 19OCT2006	SCALE 6:1	SHEET 1 OF 1