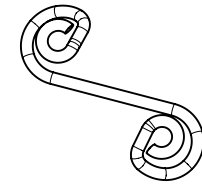
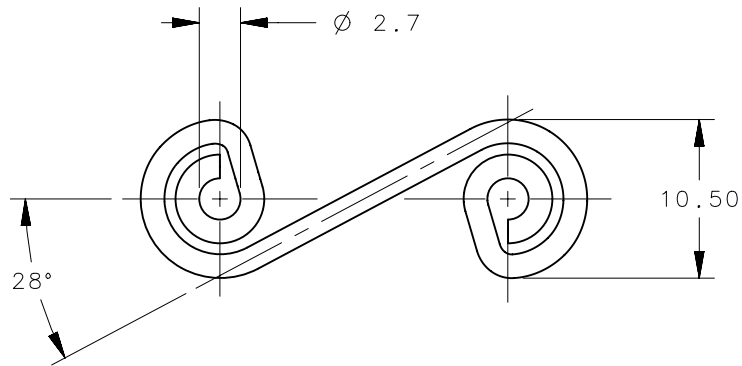
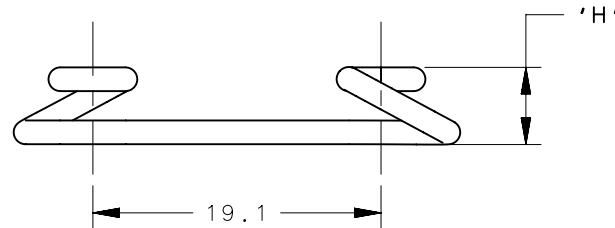


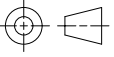

REVISION HISTORY			
REV	DATE	BY	DESCRIPTION
B	10JUL2017	SPD/YGC	PRN: P2017-1649



SCALE 1:1



PART NUMBER	'H' DIM.	
	IMPERIAL	METRIC
D4-S4-150	0.150	3.81
D4-S4-175	0.175	4.45
D4-S4-200	0.200	5.08
D4-S4-225	0.225	5.72
D4-S4-250	0.250	6.35
D4-S4-275	0.275	6.98
D4-S4-300	0.300	7.62

D4-SS-XXX SS	SPRING	STAINLESS STEEL	CLEAN
D4-S4-XXX	SPRING	CARBON STEEL	ZINC PLATE
PART NUMBER	TYPE OF COMPONENT	MATERIAL	FINISH
	THIRD ANGLE PROJECTION 	 CONNECT • CREATE • INNOVATE	
	MILLIMETERS [IN]		
	TOLERANCES UNLESS OTHERWISE NOTED	DESCRIPTION	
SURFACE AREA	ALL DIMENSIONS WITHOUT TOLERANCES ARE FOR REFERENCE ONLY.	SPRING TYPE S4	
VOLUME		SIZE A4	SYSTEM NX
PROPRIETARY ITEM EXCEPT FOR USES EXPRESSLY GRANTED IN WRITING, INFORMATION DISCLOSED HEREON IS CONFIDENTIAL AND ALL RIGHTS, PATENT AND OTHERWISE, ARE RESERVED BY SOUTHCO, INC.	PER ASME Y14.5M-1994	DRAWN BY MJW	DATE 14MAY2007
		SCALE 2:1	SHEET 1 OF 1