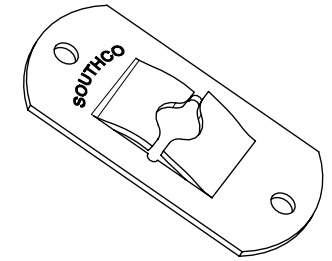
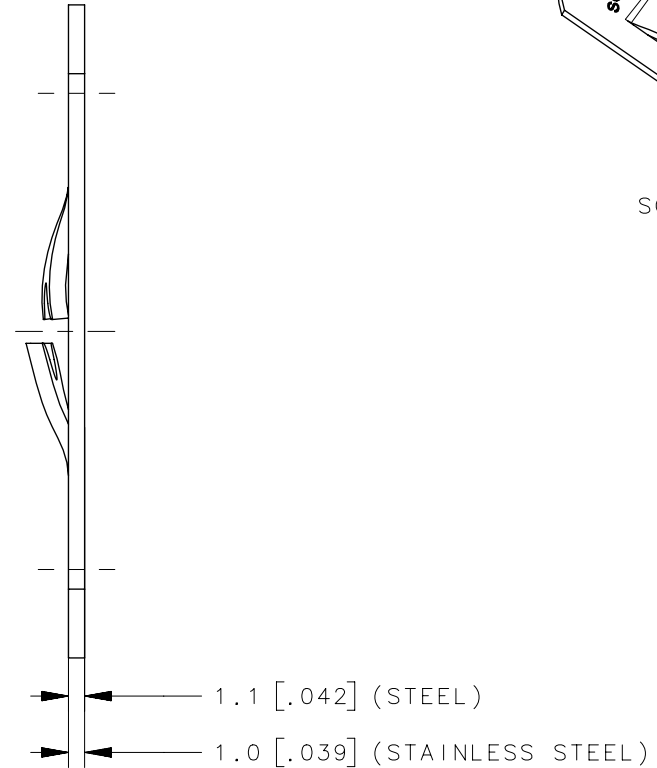
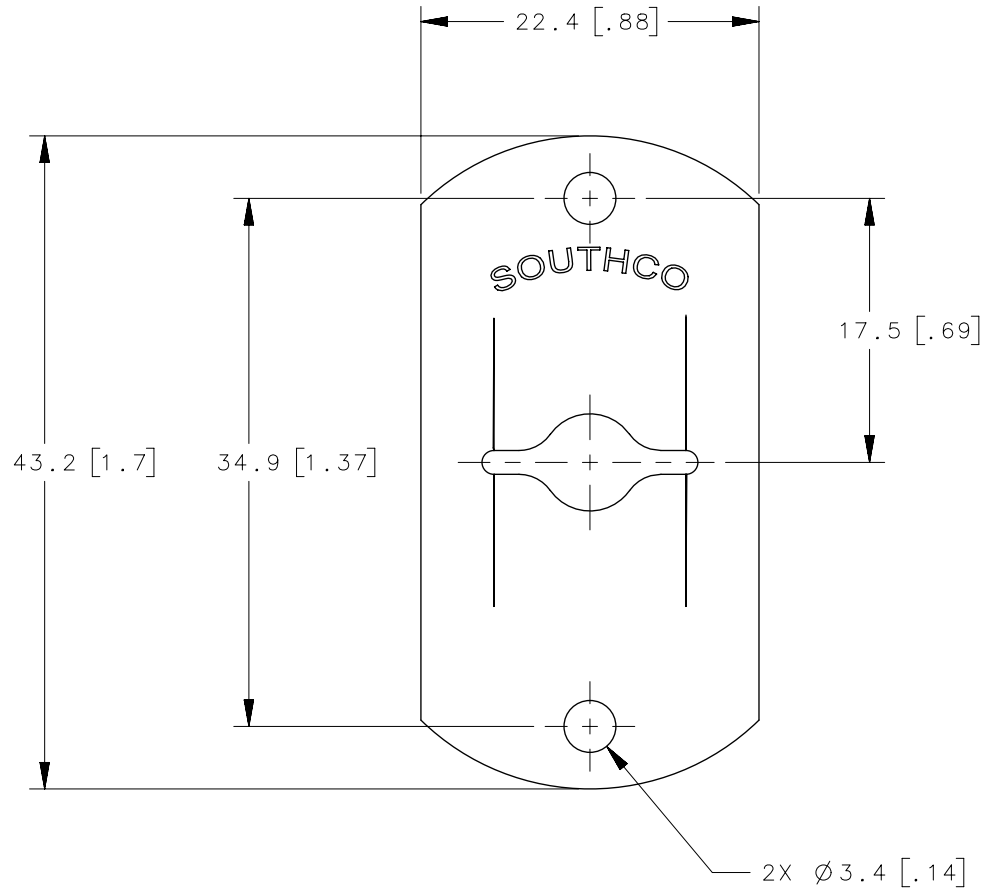
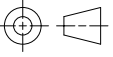



REVISION HISTORY			
REV	DATE	BY	DESCRIPTION
U	18APR2019	ZAA/CMS	PRN: P2019-1042



SCALE 1:1

17-10015-58	NO.17 FASTENER	304 STAINLESS STEEL	BLACK ORGANIC COATING
17-10015-38	NO.17 FASTENER	STEEL	SILVER ORGANIC COATING
17-10015-14	NO.17 FASTENER	304 STAINLESS STEEL	PASSIVATED
17-10015-13	NO.17 FASTENER	STEEL	GEOMET / PLUS SEALER
SOUTHCO PART NUMBER	TYPE OF COMPONENT	MATERIAL	FINISH

	THIRD ANGLE PROJECTION				 CONNECT • CREATE • INNOVATE			
	MILLIMETERS [IN]							
	TOLERANCES UNLESS OTHERWISE NOTED	DESCRIPTION						
SURFACE AREA	ALL DIMENSIONS WITHOUT TOLERANCES ARE FOR REFERENCE ONLY.	FLAT TYPE RECEPTACLE RIVET						
VOLUME		SIZE	SYSTEM	DWG NO.				
PROPRIETARY ITEM	PER ASME Y14.5M-1994	A4	NX	J-17-2-15				
EXCEPT FOR USES EXPRESSLY GRANTED IN WRITING, INFORMATION DISCLOSED HEREON IS CONFIDENTIAL AND ALL RIGHTS, PATENT AND OTHERWISE, ARE RESERVED BY SOUTHCO, INC.		DRAWN BY	DATE	SCALE	SHEET			
		TPS	02AUG1960	2:1	1 OF 1			