

**southco**

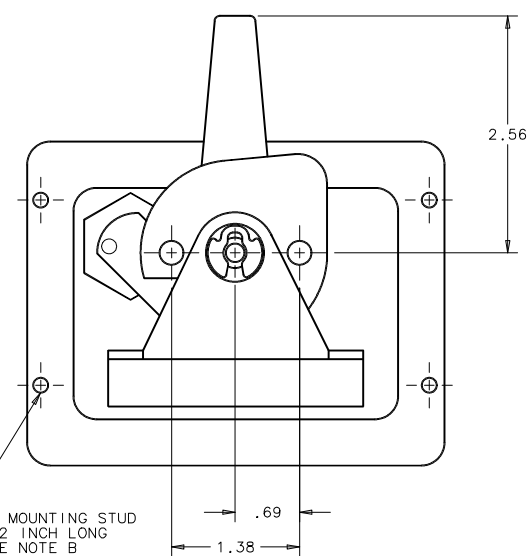
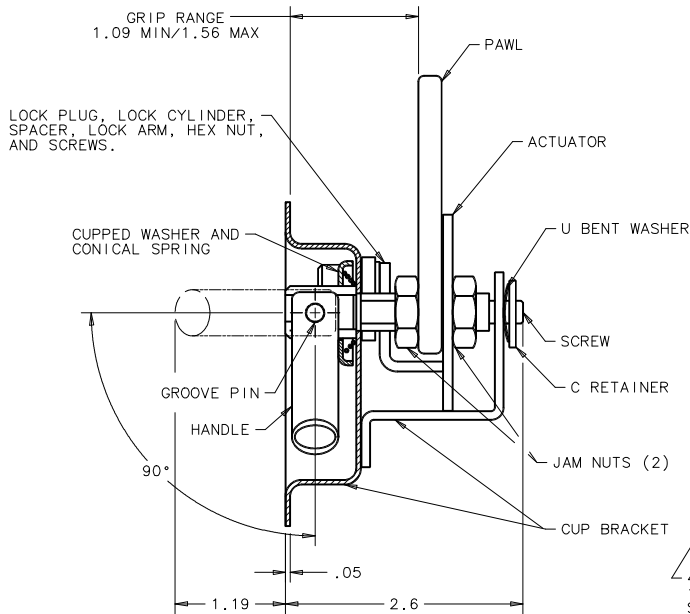
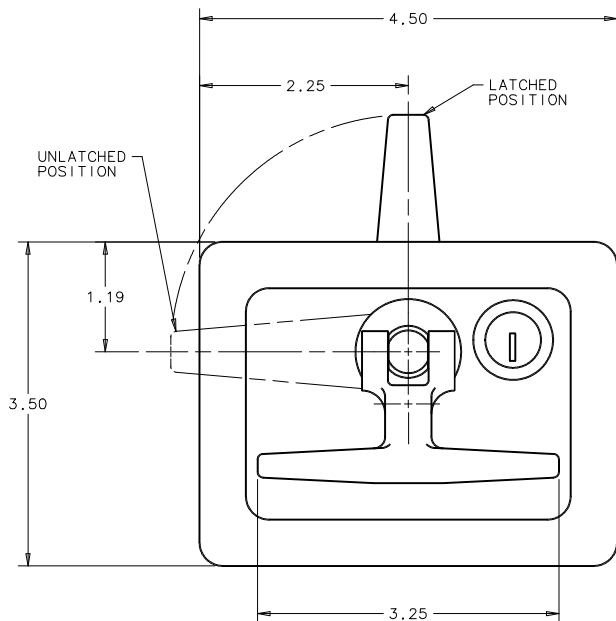
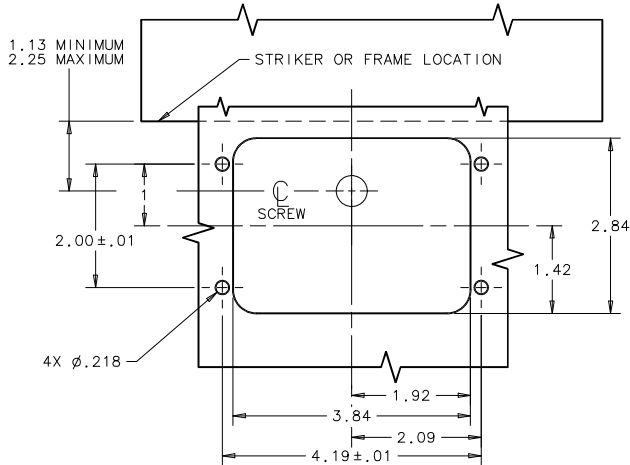
PROPRIETARY ITEM - EXCEPT FOR USES EXPRESSLY GRANTED IN WRITING INFORMATION DISCLOSED HEREON IS CONFIDENTIAL AND ALL RIGHTS PATENT AND OTHERWISE ARE RESERVED BY SOUTHCO, INC.

No. 24 FASTENER-HEAVY DUTY TYPE A (STUD MOUNT)  
ADAPTABLE FOR 3 POINT LATCHING W/LOCK (KEYED ALIKE)

DATE: 6-6-79  
DRAWN: HAR  
CHKD: .75:1  
SCALE: J-24-20-812-10  
DRAWING NUMBER

REV	DATE	DRAWN/CHKD	DESCRIPTION	ITEM	PART NUMBER	MATERIAL	FINISH
N	20APR2005	BRP/AJH	PRN: P2005-0592	ASSEMBLY	24-20-812-35	-	-
O	31JAN2014	CMS/BGL	PRN: P2014-0207	GROOVE PIN	-	STEEL	ZINC PLATE PLUS BRIGHT CHROMATE
				SCREW	-	STEEL	ZINC FLAKE COATING
				CONICAL SPRING	-	STAINLESS STEEL	PASSIVATE
				PAWL	-	STEEL	ZINC FLAKE COATING
				JAM NUT(2)	-	STEEL	ZINC PLATE CHROMATE PLUS SEALER
				ACTUATOR	-	STEEL	ZINC FLAKE COATING
				U BENT WASHER	-	STEEL	ZINC PLATE PLUS YELLOW CHROMATE DIP
				HANDLE	-	DIE CAST ZINC	ZINC FLAKE COATING
				CUPWASHER	-	STEEL	ZINC FLAKE COATING
				CUP BRACKET	-	STEEL	ZINC FLAKE COATING
				LOCK PLUG	-	SEE NOTE A	SEE NOTE A
				LOCK CYLINDER	-	DIE CAST ZINC	BRIGHT CHROME
				SPACER	-	STEEL	ZINC FLAKE COATING
				LOCK ARM	-	STEEL	ZINC FLAKE COATING
				HEX NUT	-	DIE CAST ZINC	ACRYLIC LATEX SEALER
				SCREW(2)	-	STAINLESS STEEL	PASSIVATE
				C RETAINER	-	STEEL	ZINC PLATE PLUS YELLOW CHROMATE DIP
				HEX NUT(4)	-	STAINLESS STEEL	PASSIVATE
				LOCKWASHER(4)	-	STEEL	ZINC PLATE PLUS YELLOW CHROMATE DIP

**PANEL PREPARATION**  
(SCALE 1:2)



- NOTES:
- A. MATERIAL AND FINISH:  
PLUG BODY - DIE CAST ZINC  
TUMBLERS - BRASS  
KEYS - BRASS, NICKEL PLATED  
SPRING MATERIAL OPTIONAL. SPRING MATERIAL MUST BE STAINLESS STEEL. IF POWDER COATED AFTER ASSEMBLY OR PURCHASED AS PK-110 C/C2
  - FINISH: BRIGHT CHROMATE, TOP SURFACE OF HEAD TO BE BUFFED BEFORE PLATING.
  - B. MOUNTING HEX NUT AND LOCKWASHER 4 EACH INCLUDED ASSEMBLED
  - C. TIGHTENING TORQUE OF MOUNTING NUTS NOT TO EXCEED 25 in-lbs

ALL DIMENSIONS WITHOUT TOLERANCES ARE FOR REFERENCE ONLY.

THIRD ANGLE PROJECTION  
B PAPER SIZE