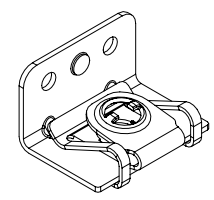
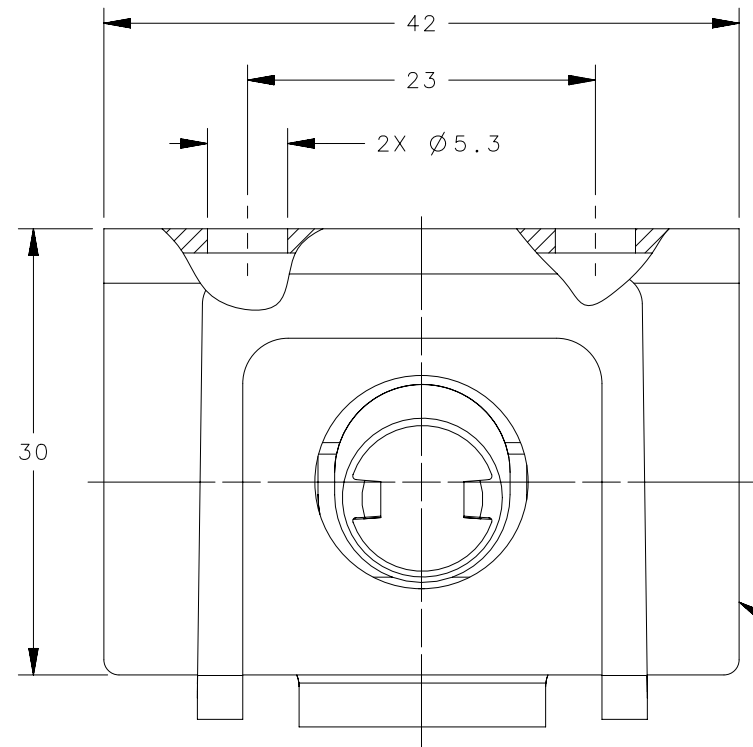
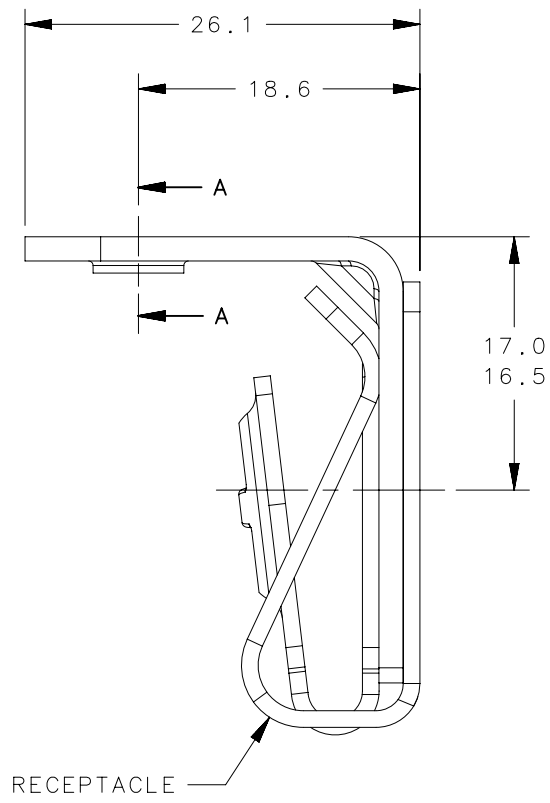


REVISION HISTORY			
REV	DATE	BY	DESCRIPTION
C	09APR2014	MWC/YGC	PRN: P2014-0745



SCALE 1:2

BRACKET

PARTIAL SECTION A-A

NOTES:
A) SUPPORT THICKNESS RANGE = 0.7 TO 3.2

D8-339-305-199	CLIP-ON ASSEMBLY	CARBON STEEL	ZINC NICKEL
D8-339-305-130	CLIP-ON ASSEMBLY	CARBON STEEL	ZINC ORGANIC - SILVER
D8-339-305-121	CLIP-ON ASSEMBLY	CARBON STEEL	SILVER GEOMET
PART NUMBER	TYPE OF COMPONENT	MATERIAL	FINISH

THIRD ANGLE PROJECTION		 CONNECT • CREATE • INNOVATE	
MILLIMETERS [IN]			
TOLERANCES UNLESS OTHERWISE NOTED		DESCRIPTION	
ALL DIMENSIONS WITHOUT TOLERANCES ARE FOR REFERENCE ONLY.		D8 SIZE #9 BRACKET AND CLIP-ON ASSEMBLY	
PROPRIETARY ITEM <small>EXCEPT FOR USES EXPRESSLY GRANTED IN WRITING, INFORMATION DISCLOSED HEREON IS CONFIDENTIAL AND ALL RIGHTS, PATENT AND OTHERWISE, ARE RESERVED BY SOUTHCO, INC.</small>	PER ASME Y14.5M-1994	SIZE A4 SYSTEM NX	DWG NO. J-D8-339-305
		DRAWN BY DME/LJ	DATE 16MAR2010
		SCALE 2:1	SHEET 1 OF 1