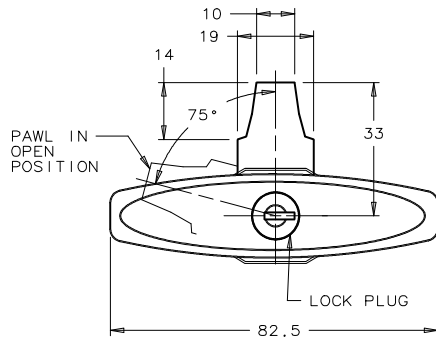


REV.	DATE	DRAWN	REVISION
A	14 FEB 2001	JRS	ISS PRN: E3-847A
B	29 JAN 2015	MS	MMD PRN: P2015-0226
C	30 JUN 2021	OMS	DMS PRN: P2021-1293

VISE-ACTION™ LATCH		THREE-HOLE MOUNT T-HANDLE LOCKING	
DATE	DRAWN	CHKD	SCALE
09/JUN/97	BRK	MPF	0.75 : 1
DRAWING NUMBER		J-E3-38	
THREE-HOLE MOUNT T-HANDLE LOCKING		MILL METER DIMENSIONS	
GRIP RANGE		DIMENSIONS WITHOUT TOLERANCES ARE FOR REFERENCE ONLY.	
73.9 ^{+0.6} or 62.7 ^{+0.2}	PAWL OFFSET	A3 PAPER SIZE	
27.4		THIRD ANGLE PROJECTION	
21.8 ^{+0.3} or 49 ^{+0.8}			
13.7			
35.3 - 50.8	NONE		



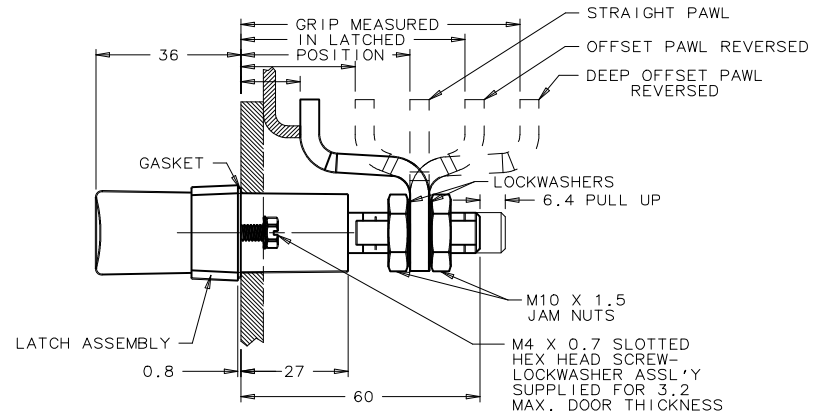
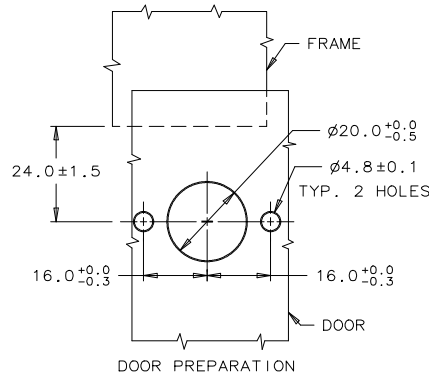
LATCH DIMENSIONS FOR REFERENCE ONLY

COMPONENT	MATERIAL	FINISH
HOUSING	DIE CAST ZINC	SEE TABLE
HANDLE	DIE CAST ZINC	SEE TABLE
GASKET	RUBBER IMPREGMATED WELLM	NATURAL
RETAINER	302 STAINLESS STEEL	NATURAL
SPRING	302 STAINLESS STEEL	NATURAL
O-RING	BUNA-N	NATURAL
SLEEVE	1075 STEEL	DACROTIZED†
CAM	1075 STEEL	DACROTIZED†
SHAFT	LOW CARBON STEEL	ZINC PLATE CHROMATE PLUS SEALER
PIN	1008 STEEL	CHROME D.P. YELLOW
PAWL	1010 STEEL	ZINC PLATE CHROMATE PLUS SEALER
JAM NUTS (2)	LOW CARBON STEEL	ZINC PLATE CHROMATE PLUS SEALER
LOCKWASHERS (2)	SPRING STEEL	ZINC PLATE CHROMATE PLUS SEALER
SCREW/LOCKWASHER ASSLY	LOW CARBON STEEL	ZINC PLATE CHROMATE PLUS SEALER
LOCK PLUG	DIE CAST ZINC AND BRASS	SEE TABLE
LOCK EXTENDER	DIE CAST ZINC	CHEMICAL PROTECTIVE FILM
LOCK SLIDE	DIE CAST ZINC	SEE TABLE
KEYS	BRASS	NATURAL

† TM - METAL COATINGS INTERNATIONAL, INC.

X- FINISH TABLE

1	BRIGHT CHROME PLATE
4	CARDINAL WHITE POWDER COAT
5	BLACK POWDER COAT
7	SATIN SILVER POLYESTER POWDER COAT



- NOTES:
- OPERATION: 195° TURN OF HANDLE CAUSES PAWL TO ROTATE 75° THEN PULL UP 6.4.
 - PAWL, NUTS, LOCKWASHERS, AND SCREW ASSLY'S SHIPPED UNASSEMBLED IN BAG WITH GASKET AND LATCH ASSEMBLIES.
 - INSTALLATION:
 - INSTALL GASKET OVER LATCH AND INSTALL LATCH IN DOOR. ATTACH USING M4 SCREW ASSEMBLIES (7mm HEX) 1.7 Nm MAX. TIGHTENING TORQUE.
 - INSTALL JAM NUT, LOCKWASHER, PAWL, LOCKWASHER, AND JAM NUT ON SHAFT. ADJUST JAM NUTS TO POSITION PAWL AT CORRECT GRIP (WITH LATCH CLOSED). TIGHTEN JAM NUTS (20 Nm MAX. TORQUE) USING TWO 17mm WRENCHES.
- CAUTION: ADJUST PAWL SO THAT NO MORE THAN 7.9 Nm TORQUE ON HANDLE IS REQUIRED TO CLOSE LATCH.