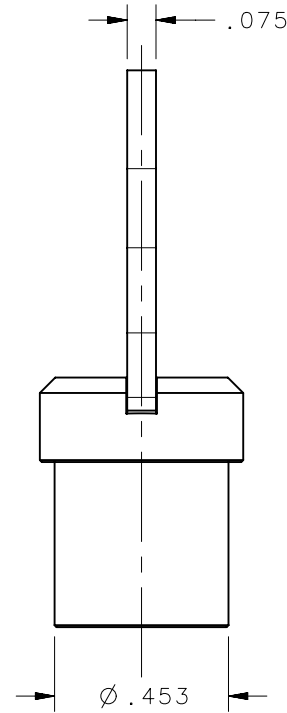
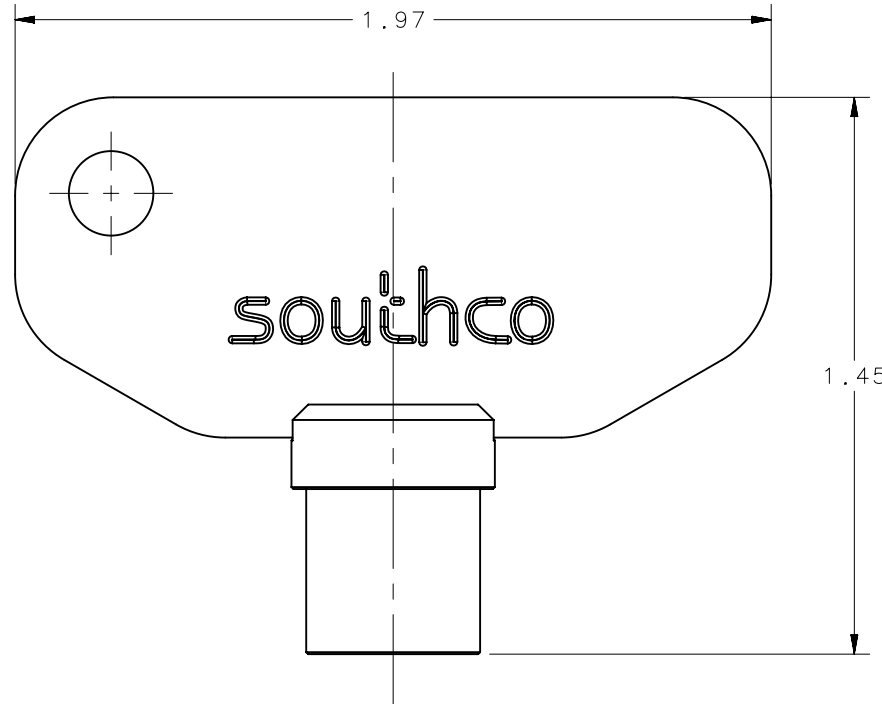
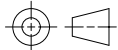



REVISION HISTORY			
REV	DATE	BY	DESCRIPTION
C	09SEP2022	CMS/NJF	PRN: P2022-1590



NOTES:

- A. BARREL, CASE HARDENED
- B. BRIGHT NICKEL PLATE

E3-5-15		STEEL		NOTE A		NOTE B	
SOUTHCO PART NUMBER		MATERIAL		HEAT TREAT		FINISH	
CPB NUMBER	THIRD ANGLE PROJECTION						
	INCHES [MM]						
SURFACE AREA	TOLERANCES UNLESS OTHERWISE NOTED	 CONNECT • CREATE • INNOVATE <b>KEY ASSEMBLY</b>					
VOLUME	ALL DIMENSIONS WITHOUT TOLERANCES ARE FOR REFERENCE ONLY.						
PROPRIETARY ITEM	PER ASME Y14.5M-1994	SIZE A	SYSTEM NX	DWG NO. J-E3-5-15		SCALE 2:1	SHEET 1 OF 1
EXCEPT FOR USES EXPRESSLY GRANTED IN WRITING, INFORMATION DISCLOSED HEREON IS CONFIDENTIAL AND ALL RIGHTS, PATENT AND OTHERWISE, ARE RESERVED BY SOUTHCO, INC.		DRAWN BY ALC/ACZ	DATE 27MAY93				