

southco

PROPRIETARY ITEM - EXCEPT FOR USES EXPRESSLY GRANTED IN WRITING INFORMATION DISCLOSED HEREON IS CONFIDENTIAL AND ALL RIGHTS PATENT AND OTHERWISE ARE RESERVED BY SOUTHCO, INC.

SOUTHCO No. 47 CAPTIVE FASTENER
M4 THREAD, PRESS-IN STYLE

DATE	DRAWN	CHKD	SCALE	DRAWING NUMBER
17JUN94	JGK		2:1	J-47-3-M4

REV	DATE	DRAWN/CHKD	DESCRIPTION
I	24OCT2002	DLH/AJH	PRN: P2002-0829
J	03SEP2003	AAB/CHW	PRN: P2003-0769
K	17NOV2006	RLR/AJH	PRN: P2006-1616

PART NUMBER	SCREW PROJECTION		PANEL THICKNESS	
	P-1	P-2	A, MIN	A, MAX
47-90-3X1-YZ	0.6	5.5	0.9	-
47-91-3X1-YZ	2.2	7.1		
47-92-3X1-YZ	3.8	8.7		
47-93-3X1-YZ	5.4	10.3		

MILLIMETERS

ALL DIMENSIONS WITHOUT TOLERANCES ARE FOR REFERENCE ONLY.

THIRD ANGLE PROJECTION

A3 PAPER SIZE

MATERIAL AND FINISH:

KNOB: 6000 SERIES ALUMINUM

SCREW: 400 SERIES STAINLESS STEEL, PASSIVATED; OR HARDENED CARBON STEEL, ZINC PLATE, CHROMATE PLUS SEALER (SEE "Z" TABLE) (NOTE: KNOB AND TOP OF SCREW AVAILABLE WITH POWDER COATING; SEE "Y" TABLE)

FERRULE: HARDENED CARBON STEEL; ZINC PLATE, CHROMATE PLUS SEALER

SPRING: 300 SERIES STAINLESS STEEL, PASSIVATED

NOTES:

A. RoHS COMPLIANT

"X" SCREW RECESS

0 - SLOTTED
2 - No. 2 PHILLIPS
4 - T25 TORX®
6 - T25 TORX®/SLOT COMBINATION
8 - No. 2 PHILLIPS/SLOT COMBINATION

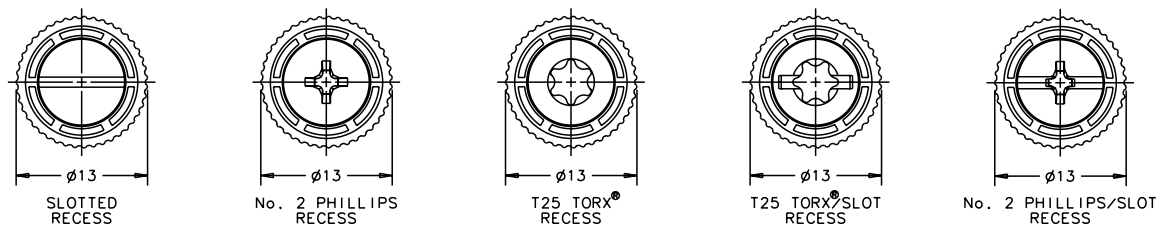
"Y" FINISH ON KNOB & SCREW HEAD

2 - BRIGHT
4 - CUSTOM COLOR, SEE J-47-0-3 FOR ADDITIONAL SUFFIX
6 - BLACK POWDER COATED

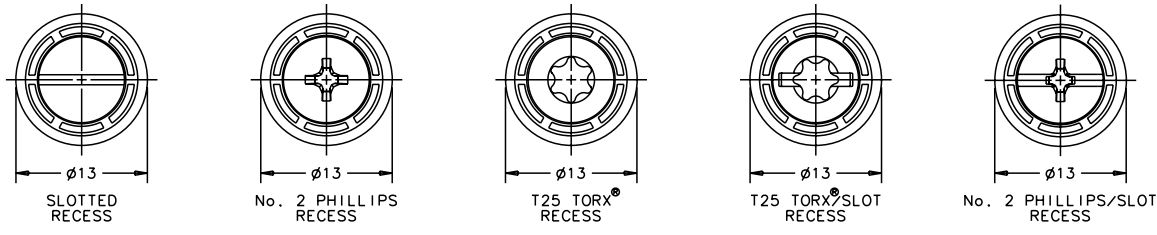
"Z" KNOB TYPE AND SCREW MATERIAL

KNOB	SCREW MATERIAL	RECESS	
		SLOTTED PHILLIPS	TORX®/SLOT PHILLIPS/SLOT
KNURLED	STAINLESS STEEL	0	N/A
SMOOTH	STAINLESS STEEL	1	N/A
KNURLED	STEEL	4	0
SMOOTH	STEEL	5	1

KNURLED KNOBS



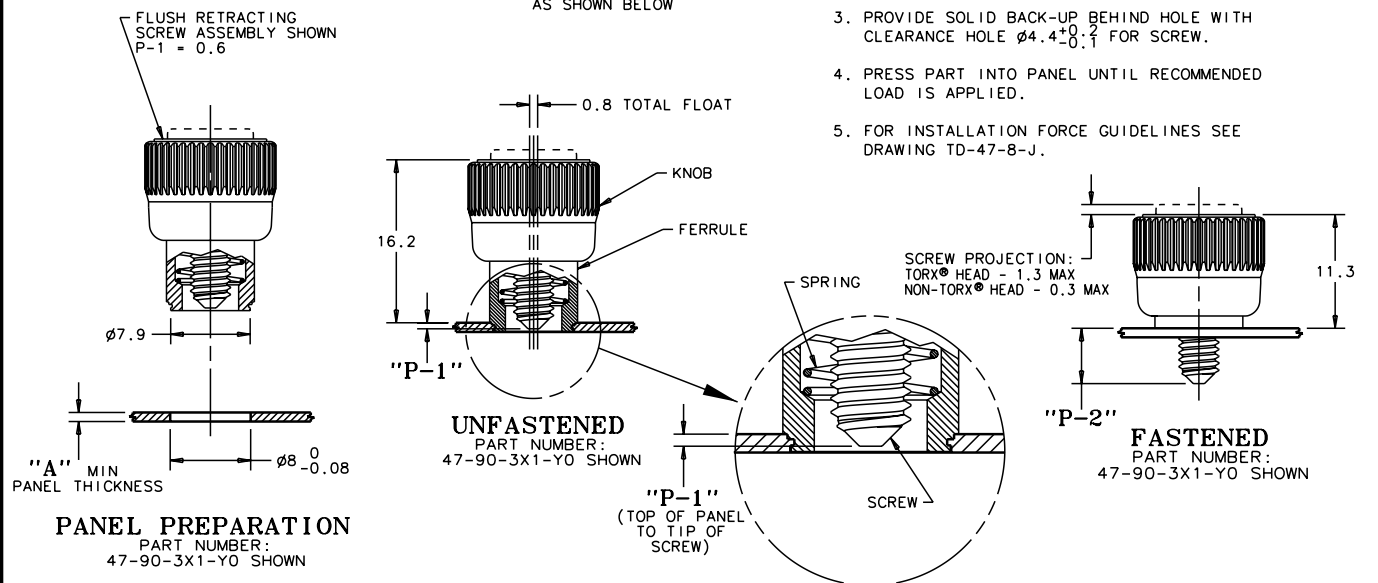
SMOOTH KNOBS



TO INSTALL FASTENER:

1. DRILL OR PUNCH HOLE AS SHOWN BELOW.
2. PLACE FERRULE INTO INSTALLATION HOLE.
3. PROVIDE SOLID BACK-UP BEHIND HOLE WITH CLEARANCE HOLE $\phi 4.4^{+0.1}$ FOR SCREW.
4. PRESS PART INTO PANEL UNTIL RECOMMENDED LOAD IS APPLIED.
5. FOR INSTALLATION FORCE GUIDELINES SEE DRAWING TD-47-8-J.

NOTE: KNOB AND SCREW ARE SPRING LOADED OUTWARD, AS SHOWN BELOW



SCALE: 4:1

TORX® IS A REGISTERED TRADEMARK OF THE CAMCAR DIVISION OF TEXTRON, INC.