

REV	DATE	DRAWN/CHKD	DESCRIPTION
1	19SEP2002	DLH	PRN: P2002-0623
A	24SEP2002	DLH/BS	PRN: P2002-0691
B	16OCT2002	AJH/DLH	PRN: P2002-0799
C	14JAN2003	DLH/VNI	PRN: P2003-0025
D	11APR2003	DLH/MJS	PRN: P2003-0269
E	11JUL2003	DLH/MJS	PRN: P2003-0587
F	29AUG2003	DLH/AJH	PRN: P2003-0752
G	19MAY2005	VNI/RLR	PRN: P2005-0598
H	31MAY2005	RLR/VNI	PRN: P2005-0663

PART NUMBER: E5-6- **WW** X - **YY** 1

ACTUATION STYLE (SEE BELOW)

CAM TYPE (SEE BELOW)

MATERIAL AND FINISH:

- 2 = DIE CAST ZINC, BRIGHT CHROME PLATE.
- 3 = GLASS FILLED NYLON, BLACK.
- 5 = DIE CAST ZINC, BLACK POWDER COAT.
- 6 = DIE CAST ZINC, LIGHT GREY POWDER COAT.
- 23 = 304 STAINLESS STEEL, NATURAL.
- 24 = 304 STAINLESS STEEL, PASSIVATED.
- 26 = 316 STAINLESS STEEL, NATURAL.
- 27 = 316 STAINLESS STEEL, PASSIVATED.

SEALING OPTION:

- 1 = O-RING AND GASKET INCLUDED

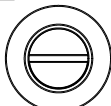
MILLIMETERS

ALL DIMENSIONS WITHOUT TOLERANCES ARE FOR REFERENCE ONLY.

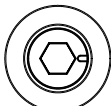


- NOTES:
- FOR INSTALLATION SEE DRAWING J-E5-6-B.
 - CAM ORDERED AND SHIPPED SEPARATELY.

WW ACTUATION STYLE



SLOTTED
WW=00



HEX SOCKET 8mm
WW=01



TRIANGULAR 7mm
WW=02



TRIANGULAR 8mm
WW=03



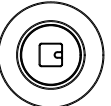
SQUARE 7mm
WW=04



SQUARE 8mm
WW=05



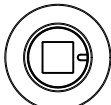
DOUBLE BIT 3mm
WW=06



SQUARE 6mm
WW=14



DOUBLE BIT 5mm
WW=07



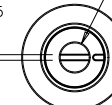
SQUARE SOCKET 8mm
WW=08



BELLCORE 216
WW=13



BELLCORE ELECTRONICS KEY
WW=19



RECESSED SLOT
SLOT DEPTH: 2
WW=21

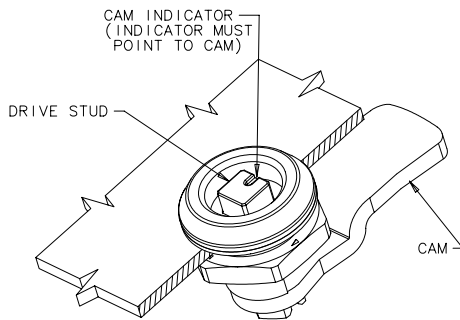
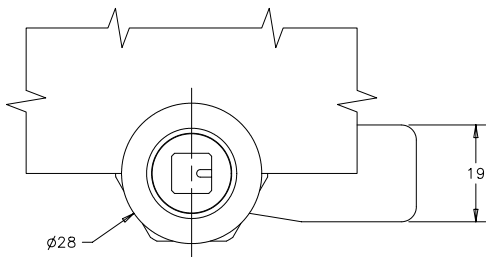


RAILWAY STANDARD
WW=22

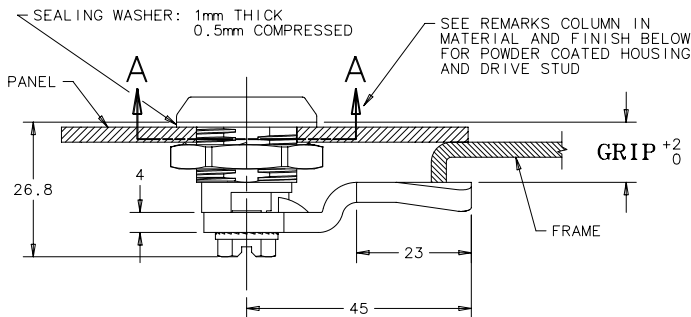


TRIANGULAR 9mm
WW=15

YY CAM TYPE

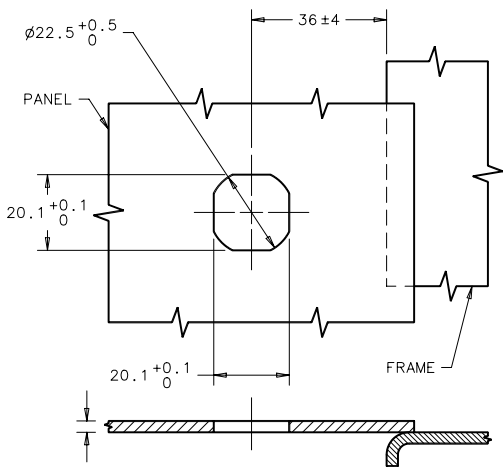


YY	GRIP
03	4mm
04	6mm
05	8mm
06	10mm
07	12mm
08	14mm
09	16mm
10	18mm
11	20mm
12	22mm
13	24mm
14	26mm
15	28mm
16	30mm
17	32mm
18	34mm
19	36mm
20	38mm
21	40mm
22	42mm
UU	SEE NOTE 2



SCALE: 1:1
PART NUMBER E5-6-05X-071 SHOWN

PANEL PREPARATION



6mm MAX PANEL THICKNESS
1mm MIN PANEL THICKNESS

MATERIAL AND FINISH

DIE CAST ZINC VERSION:

- HOUSING: DIE CAST ZINC, CHROME PLATED
- DRIVE STUD: DIE CAST ZINC, CHROME PLATED
- CAM: STEEL, ZINC PLATE WITH BRIGHT CHROMATE
- MOUNTING NUT: DIE CAST ZINC
- CAM MOUNTING SCREW: LOW CARBON STEEL, ZINC PLATE, BRIGHT CHROMATE
- INTERNAL SPRING: STEEL, ZINC PLATE, BRIGHT CHROMATE

PLASTIC VERSION:

- HOUSING: GLASS FILLED NYLON, BLACK
- DRIVE STUD: GLASS FILLED NYLON, BLACK
- CAM: STEEL, ZINC PLATE WITH BRIGHT CHROMATE
- MOUNTING NUT: DIE CAST ZINC
- CAM MOUNTING SCREW: LOW CARBON STEEL, ZINC PLATE, BRIGHT CHROMATE
- INTERNAL SPRING: STEEL, ZINC PLATE, BRIGHT CHROMATE

STAINLESS STEEL VERSION:

- HOUSING: 304 AND 316, PASSIVATED.
- DRIVE STUD: 304 AND 316, PASSIVATED.
- CAM: 304 AND 316, PASSIVATED.
- MOUNTING NUT: 316, PASSIVATED.
- CAM MOUNTING SCREW: 316, PASSIVATED.
- INTERNAL SPRING: 316, PASSIVATED.

ALL VERSIONS:

- O-RING: NITRILE, BLACK
- SEALING WASHER: POLYURETHANE, BLACK