

REVISION HISTORY			
REV	DATE	BY	DESCRIPTION
Z	06DEC2022	GJL/DMS	PRN: P2022-2128

PART NUMBER: E5-6-WW X-YY 1

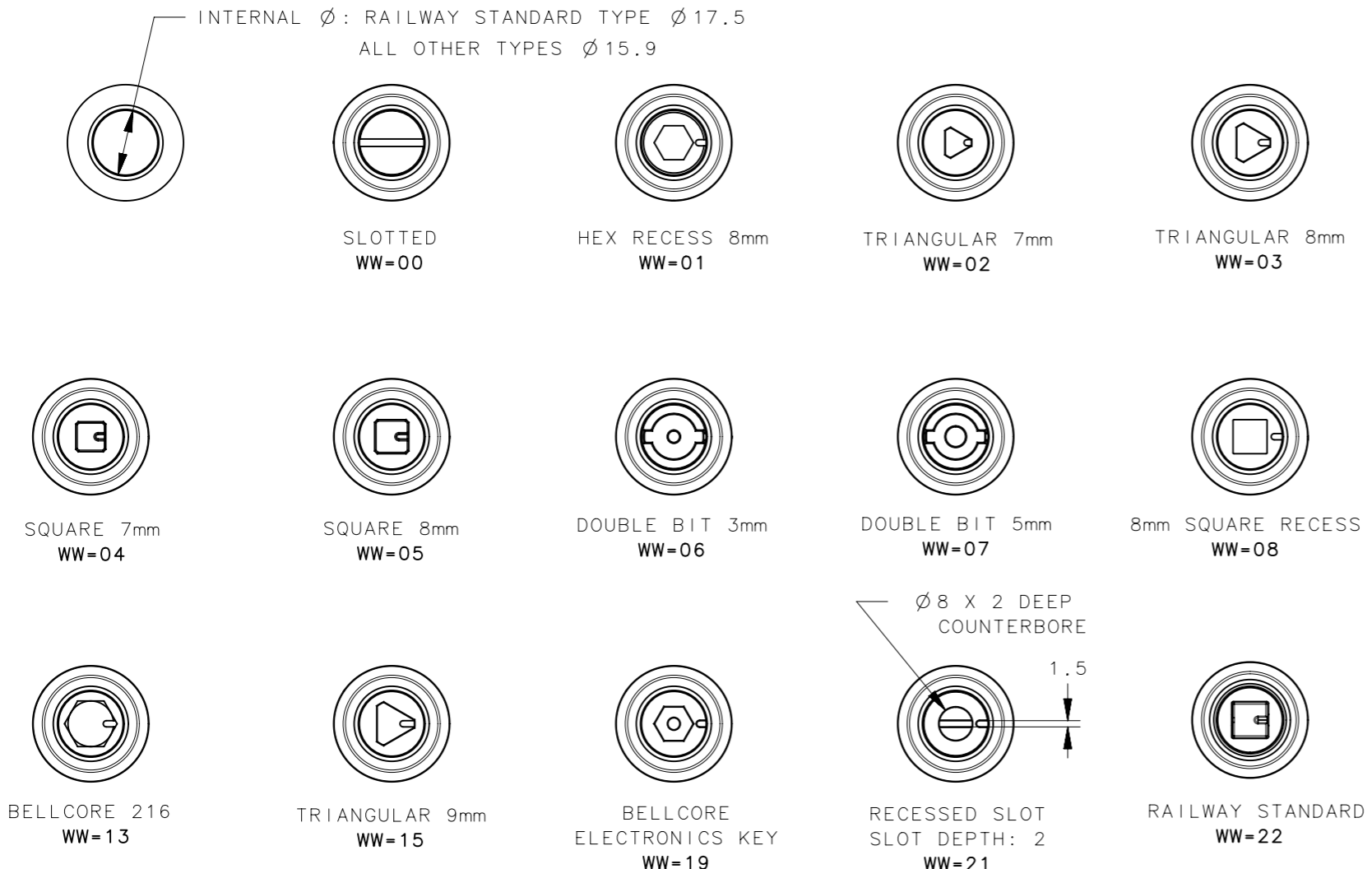
ACTUATION STYLE (SEE BELOW) CAM TYPE (SEE GRIP TABLE, SHEET 2)

MATERIAL AND FINISH:  
 2 = DIE CAST ZINC, BRIGHT CHROME PLATE.  
 5 = DIE CAST ZINC, BLACK POWDER COAT.

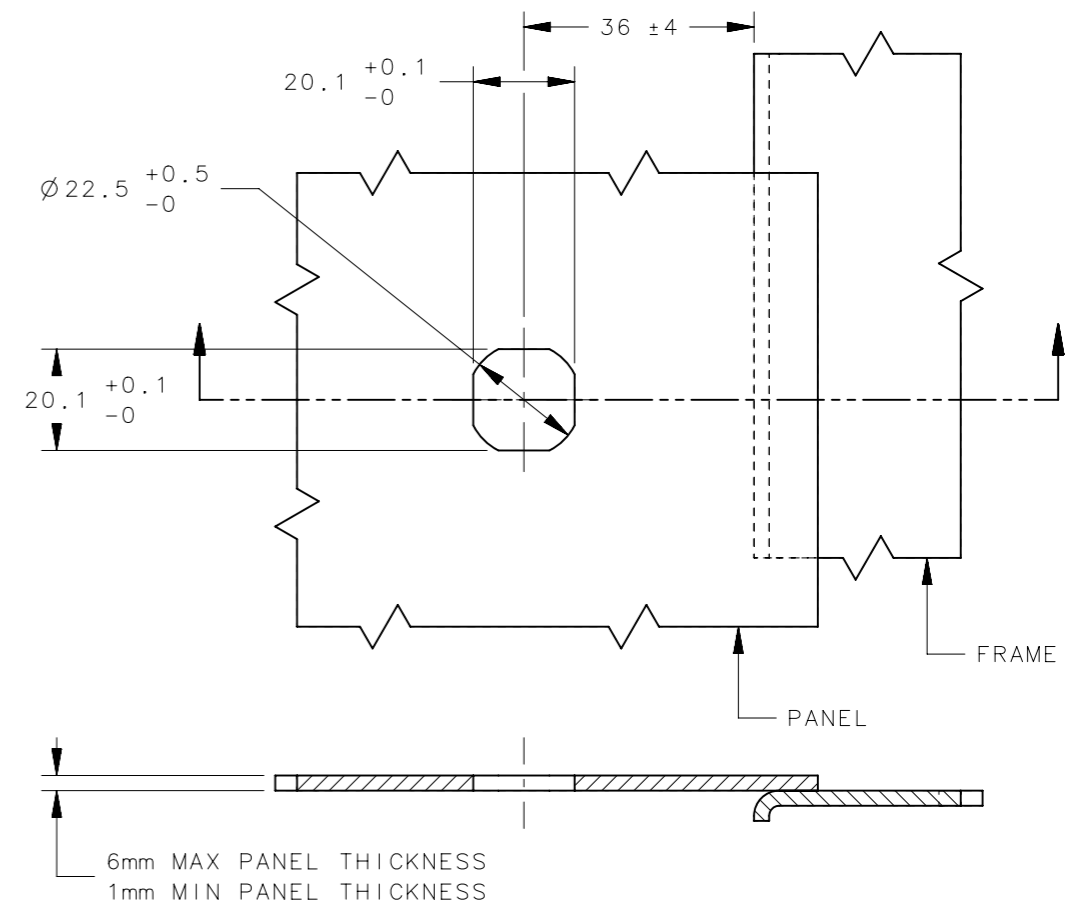
**X MATERIAL AND FINISH:**

- HOUSING: DIE CAST ZINC, CHROME PLATED OR BLACK POWDER COATED
- DRIVE STUD: DIE CAST ZINC, CHROME PLATED OR BLACK POWDER COATED
- CAM: STEEL, ZINC PLATE WITH BRIGHT CHROMATE
- MOUNTING NUT: DIE CAST ZINC
- CAM MOUNTING SCREW: LOW CARBON STEEL, ZINC PLATE, BRIGHT CHROMATE
- INTERNAL SPRING: STEEL, ZINC PLATE, BRIGHT CHROMATE
- O-RING: NITRILE, BLACK
- SEALING WASHER: LDPE (LOW DENSITY POLYETHYLENE), BLACK

**WW ACTUATION STYLES:**



**PANEL PREPARATION:**



NOTES:  
 A. SEE SHEET 3 FOR INSTALLATION INSTRUCTIONS.  
 B. COSMETIC SPECIFICATION ALL SURFACES ABOVE A-A CONFORM TO A CLASS "B" DESIGNATION AS DESCRIBED IN SOUTHCO COSMETIC SPECIFICATIONS:  
 S-121-01 FOR X=2  
 S-121-03 FOR X=5  
 C. FOR PUSH TO CLOSE CAM ASSEMBLIES, SEE DRAWING J-E5-51-A.

THIRD ANGLE PROJECTION				<b>southco</b> <sup>®</sup> CONNECT • CREATE • INNOVATE		
TOLERANCES UNLESS OTHERWISE NOTED		DESCRIPTION				
ALL DIMENSIONS WITHOUT TOLERANCES ARE FOR REFERENCE ONLY.		E5 DIE CAST ZINC QUAD LATCH (TOOL SECURED) M22 X 23 HOUSING				
PROPRIETARY ITEM	PER ASME Y14.5M-1994	SIZE A3	SYSTEM NX	DWG NO. J-E5-6		
EXCEPT FOR USES EXPRESSLY GRANTED IN WRITING, INFORMATION DISCLOSED HEREON IS CONFIDENTIAL AND ALL RIGHTS, PATENT AND OTHERWISE, ARE RESERVED BY SOUTHCO, INC.		DRAWN BY MDY	DATE 02JUL2005	SCALE DNS	SHEET 1 OF 3	

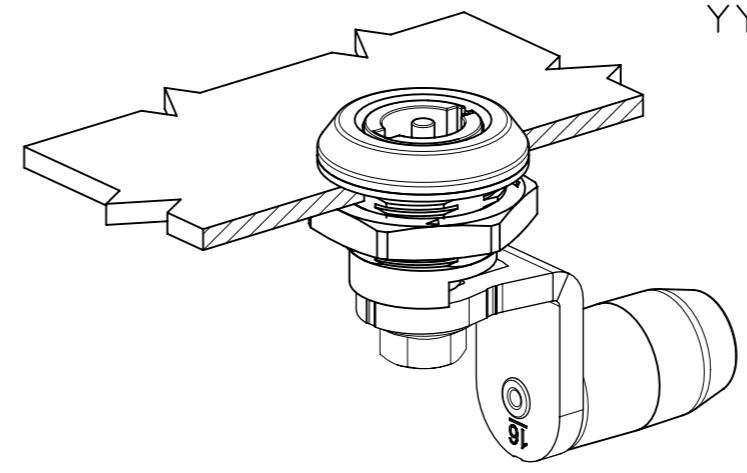
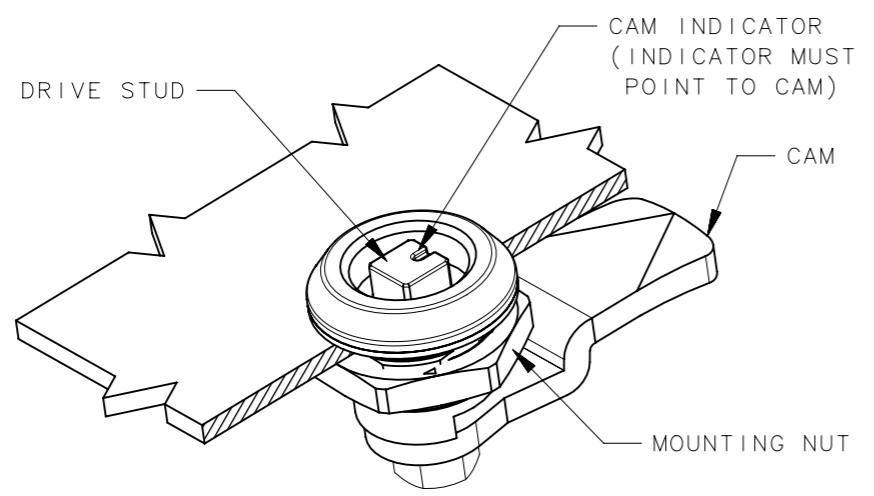
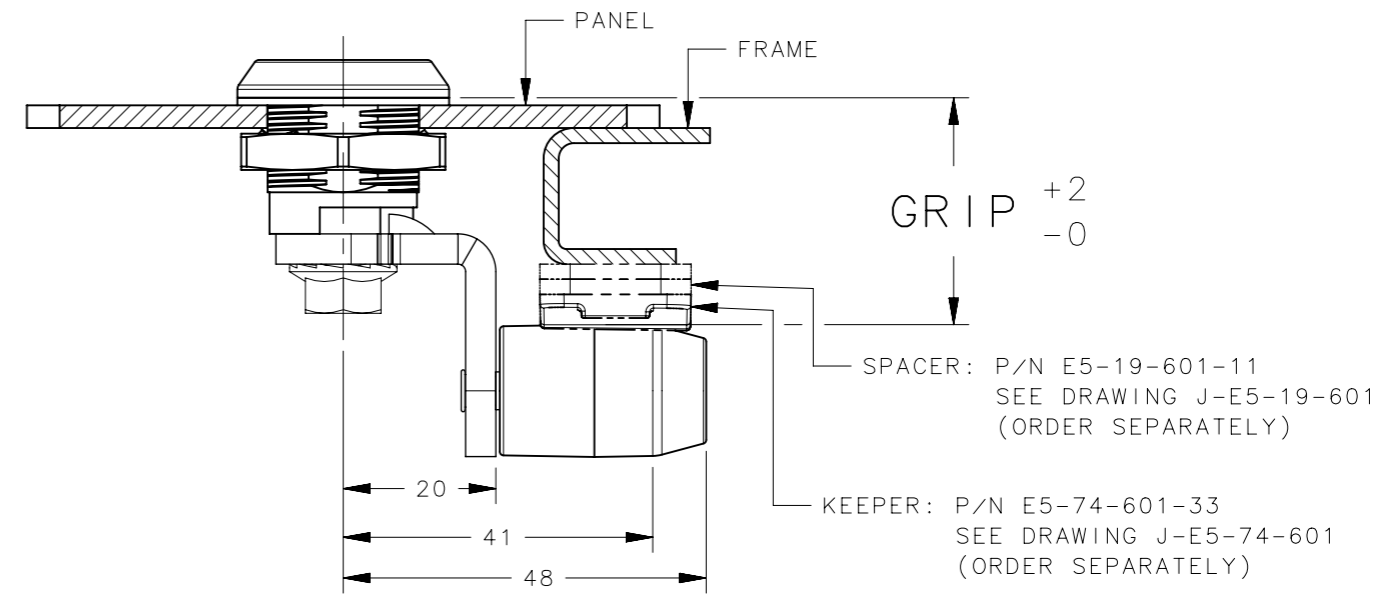
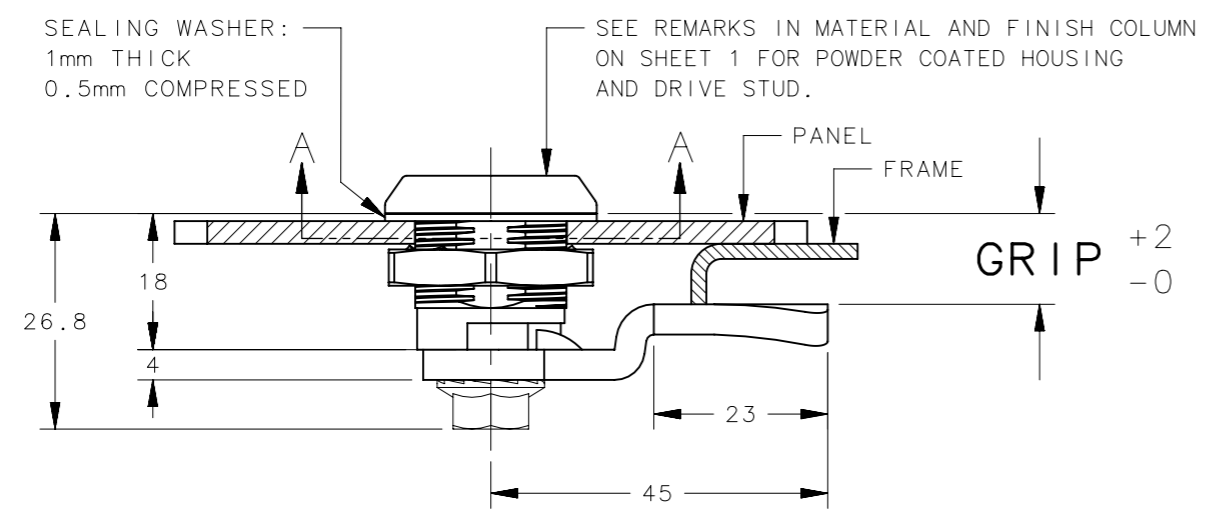
REVISION HISTORY			
REV	DATE	BY	DESCRIPTION
Z	06DEC2022	GJL/DMS	PRN: P2022-2128

YY CAM STYLE:

FLAT CAM

ROLLER CAM

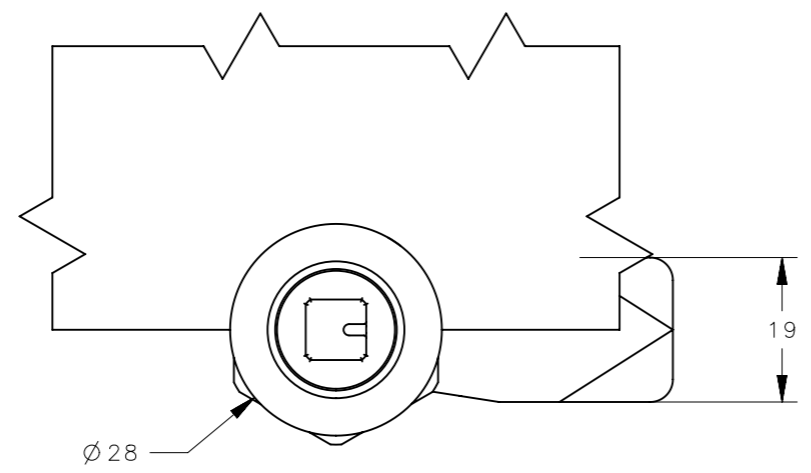
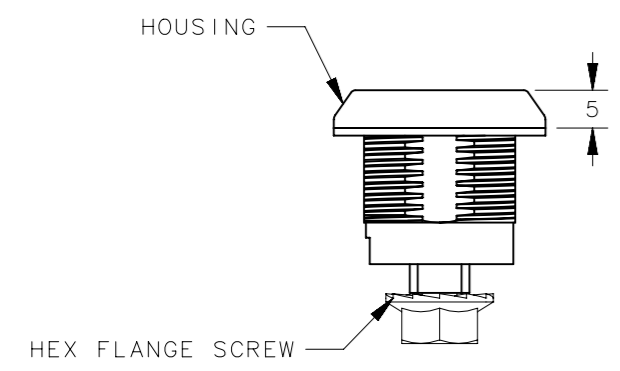
SHOWN WITH OPTIONAL SPACER AND KEEPER.



YY = ASSEMBLIES SHIPPED WITH CAM (NOT STOCKED)

FLAT CAM		ROLLER CAM	
YY	GRIP	YY	GRIP
22	42mm	82	42mm
21	40mm	81	40mm
20	38mm	80	38mm
19	36mm	79	36mm
18	34mm	78	34mm
17	32mm	77	32mm
16	30mm	76	30mm
15	28mm	75	28mm
14	26mm	74	26mm
13	24mm	73	24mm
12	22mm	72	22mm
11	20mm	71	20mm
10	18mm	70	18mm
09	16mm	69	16mm
08	14mm	REFER TO SOUTHCO DWG J-E5-645 FOR GRIP LESS THAN 16mm	
07	12mm		
06	10mm		
05	8mm		
04	6mm		
03	4mm		

PART NUMBER E5-6-06X-761 SHOWN



YY = UU CAM ORDERED AND SHIPPED SEPARATELY

PART NUMBER E5-6-05X-071 SHOWN

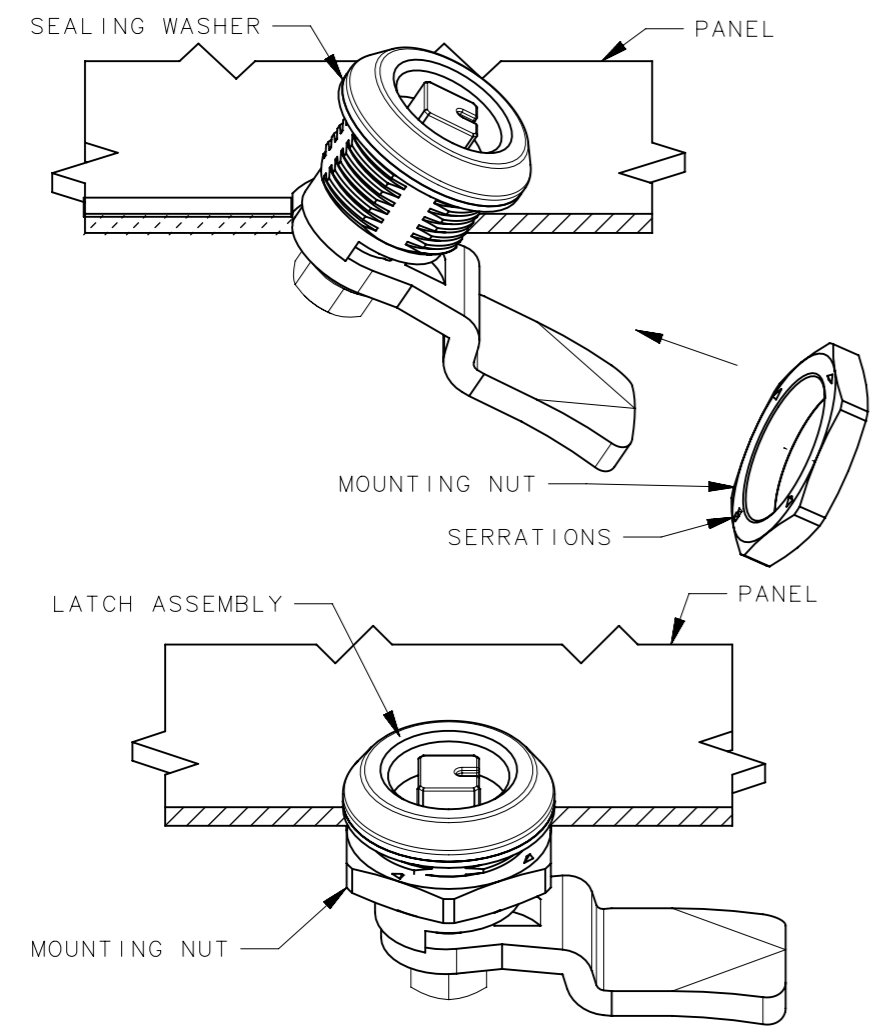
THIRD ANGLE PROJECTION						
MILLIMETERS [IN]		DESCRIPTION				
TOLERANCES UNLESS OTHERWISE NOTED		E5 DIE CAST ZINC QUAD LATCH (TOOL SECURED)				
ALL DIMENSIONS WITHOUT TOLERANCES ARE FOR REFERENCE ONLY.		M22 X 23 HOUSING				
PROPRIETARY ITEM	PER ASME Y14.5M-1994	SIZE A3	SYSTEM NX	DWG NO. J-E5-6		
EXCEPT FOR USES EXPRESSLY GRANTED IN WRITING, INFORMATION DISCLOSED HEREON IS CONFIDENTIAL AND ALL RIGHTS, PATENT AND OTHERWISE, ARE RESERVED BY SOUTHCO, INC.		DRAWN BY MDY	DATE 02JUL2005	SCALE DNS	SHEET 2 OF 3	

REVISION HISTORY			
REV	DATE	BY	DESCRIPTION
Z	06DEC2022	GJL/DMS	PRN: P2022-2128

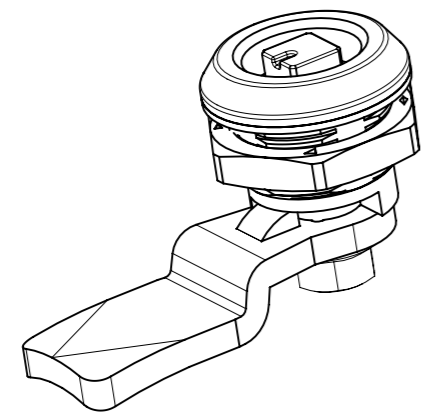
### INSTALLATION METHOD 1

FLAT CAMS:  
 USE WHEN GRIP IS EQUAL TO OR EXCEEDS PANEL THICKNESS BY 9mm  
 ROLLER CAMS:  
 ALL ROLLER CAMS CAN USE THIS INSTALLATION METHOD.

1. PLACE SEALING WASHER ON LATCH HOUSING.
  2. TILT LATCH THROUGH MOUNTING HOLE.
  3. INSTALL MOUNTING NUT AND TIGHTEN TO 10 N\*m MAX.
- FOR PUSH TO CLOSE CAMS, SEE DRAWING J-E5-51-A.



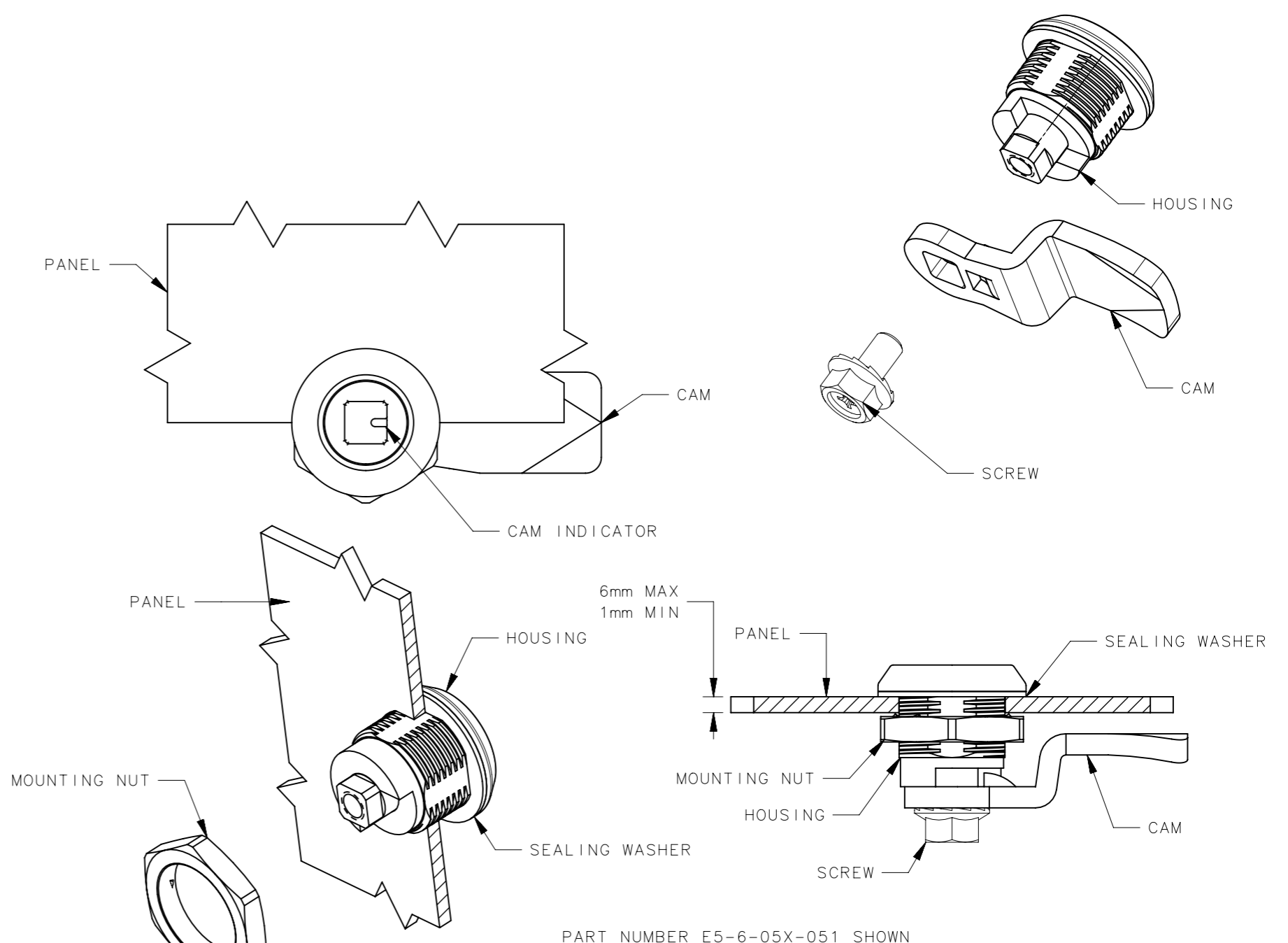
PART NUMBER E5-6-05X-131 SHOWN



### INSTALLATION METHOD 2

FLAT CAMS:  
 REQUIRED WHEN GRIP DOES NOT EXCEED PANEL THICKNESS BY 9mm.  
 ROLLER CAMS: OPTIONAL

1. REMOVE SCREW FROM HOUSING, DETACHING CAM FROM LATCH ASSEMBLY.
  2. PLACE SEALING WASHER ONTO LATCH HOUSING AND PLACE THROUGH MOUNTING HOLES.
  3. INSTALL MOUNTING NUT AND TIGHTEN TO 10 N\*m MAX.
  4. RE-ATTACH CAM TO LATCH ASSEMBLY, ASSURE THAT CAM INDICATOR POINTS TO CAM LOCATION.
  5. INSTALL SCREW AND TIGHTEN TO 4.5 Nm MIN / 5.5 Nm MAX.
- FOR PUSH TO CLOSE CAMS, SEE DRAWING J-E5-51-A.



PART NUMBER E5-6-05X-051 SHOWN

THIRD ANGLE PROJECTION				<b>southco</b> <sup>®</sup> CONNECT • CREATE • INNOVATE	
MILLIMETERS [IN]					
TOLERANCES UNLESS OTHERWISE NOTED		DESCRIPTION			
ALL DIMENSIONS WITHOUT TOLERANCES ARE FOR REFERENCE ONLY.		E5 DIE CAST ZINC QUAD LATCH (TOOL SECURED) M22 X 23 HOUSING			
PROPRIETARY ITEM	PER ASME Y14.5M-1994	SIZE A3	SYSTEM NX	DWG NO. J-E5-6	
EXCEPT FOR USES EXPRESSLY GRANTED IN WRITING, INFORMATION DISCLOSED HEREON IS CONFIDENTIAL AND ALL RIGHTS, PATENT AND OTHERWISE, ARE RESERVED BY SOUTHCO, INC.		DRAWN BY MDY	DATE 02JUL2005	SCALE DNS	SHEET 3 OF 3