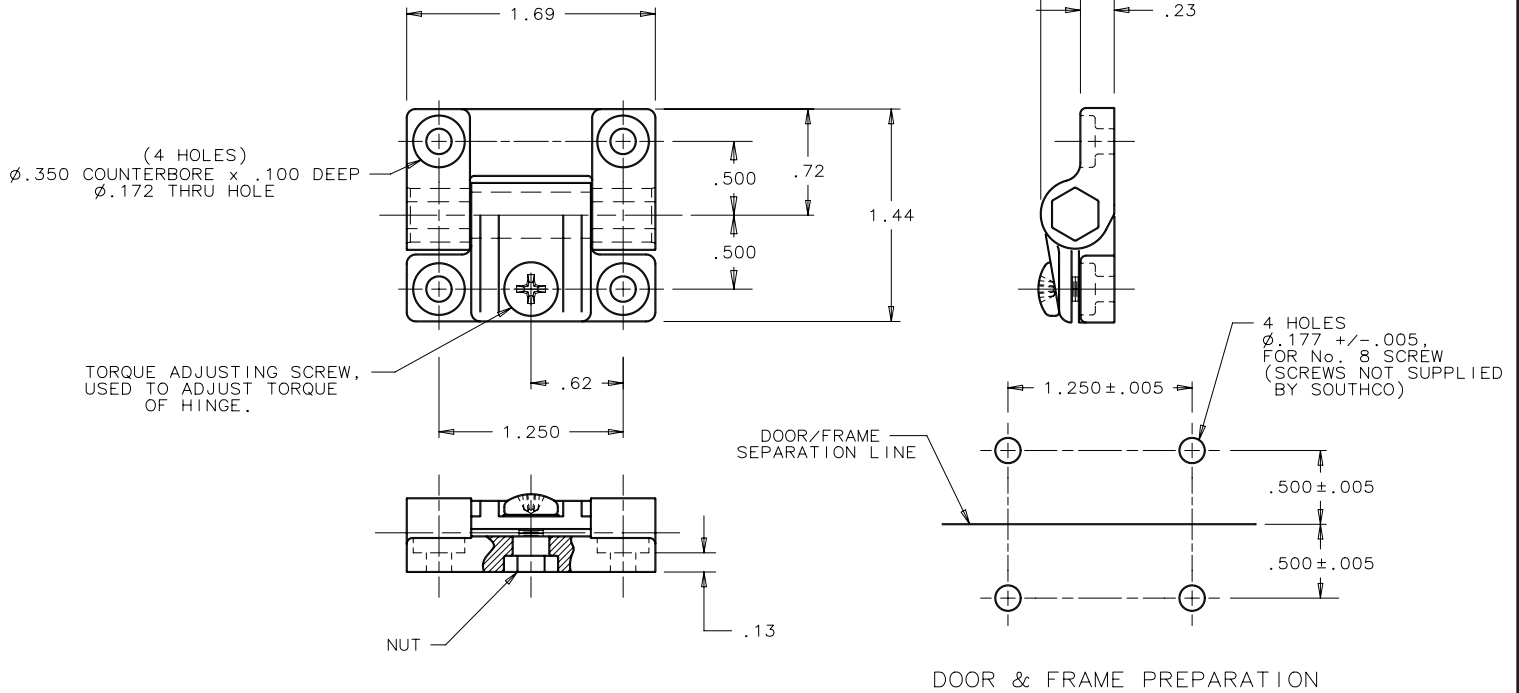


REV.	DATE	BY-CHKD	REVISIONS	ITEM	PART No.	MATERIAL	FINISH
R	4/10/91	JAD	REDRAWN ON CAD (PRN:E6-68)	HINGE ASSEMBLY	E6-10-301-20	-	-
S	9-23-91	JAD	PRN: E6-72	ADJUSTABLE LEAF		ACETAL	BLACK
T	25FEB92	GWF JSS	MOUNTING HOLE WAS .172 ϕ	FIXED LEAF		ACETAL	BLACK
U	12 JAN 93	KPL	PRN: S-1-03	ADJUSTMENT SCREW		STAINLESS STEEL	BLACK
V	22AUG2001	RJB JSS	PRN: P2001-0388	PIN		POLYCARBONATE	NATURAL
W	29OCT2008	CHW CHW	PRN: P2008-0659	NUT		STAINLESS STEEL	PASSIVATE

NOTE A. SHIPPED ASSEMBLED, BULK,
FOR HINGE TO BE PACKAGED
ONE PER BAG, ADD SUFFIX
"-P" TO THE PART NUMBER.



FORMATA 3/88

PROPRIETARY ITEM - EXCEPT FOR USES EXPRESSLY GRANTED IN WRITING
INFORMATION DISCLOSED HEREON IS CONFIDENTIAL AND ALL RIGHTS PATENT
AND OTHERWISE ARE RESERVED BY SOUTHCO, INC.

PAT. 4,630,333
PAT. 4,490,884
PAT. D 278,309

DIMENSIONS WITHOUT TOLERANCES
ARE FOR REFERENCE ONLY

DRAWING NUMBER
J-E6-10-301-20