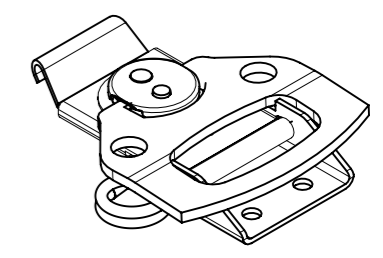
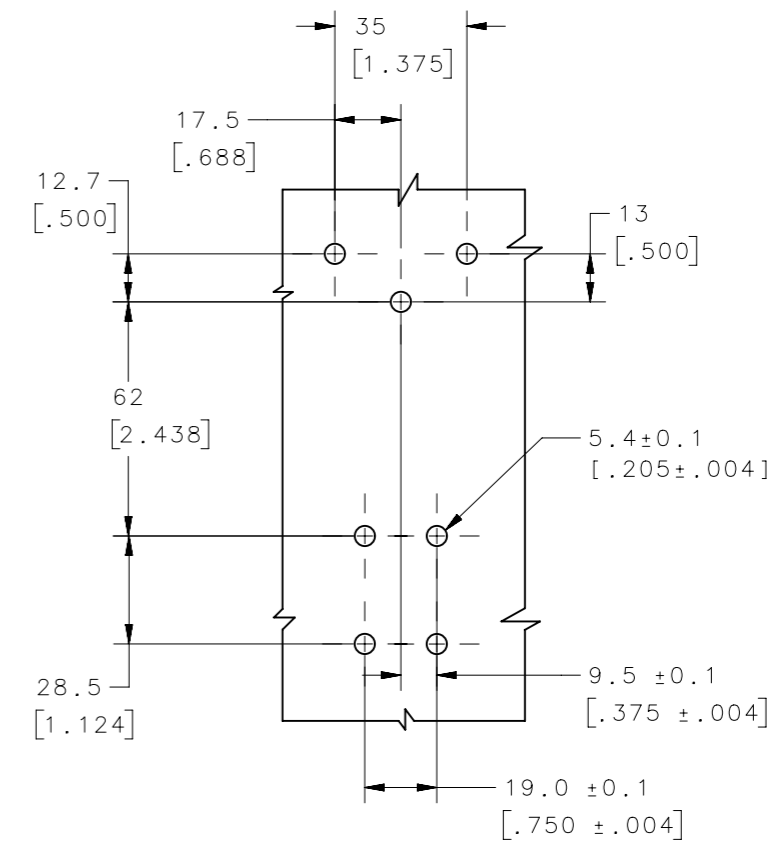
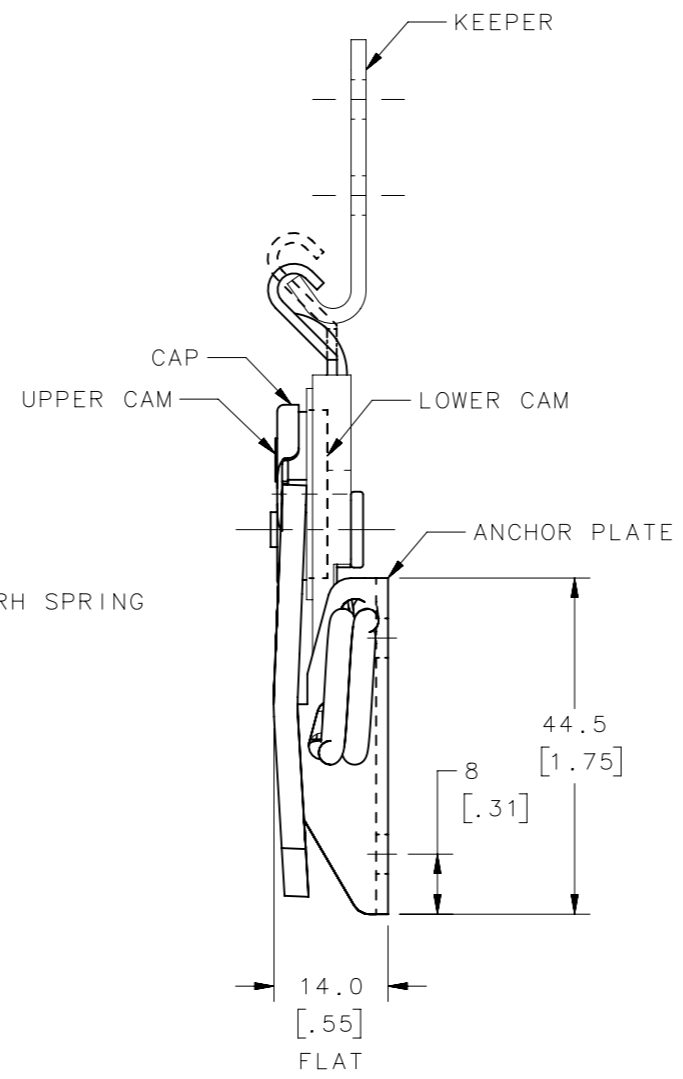
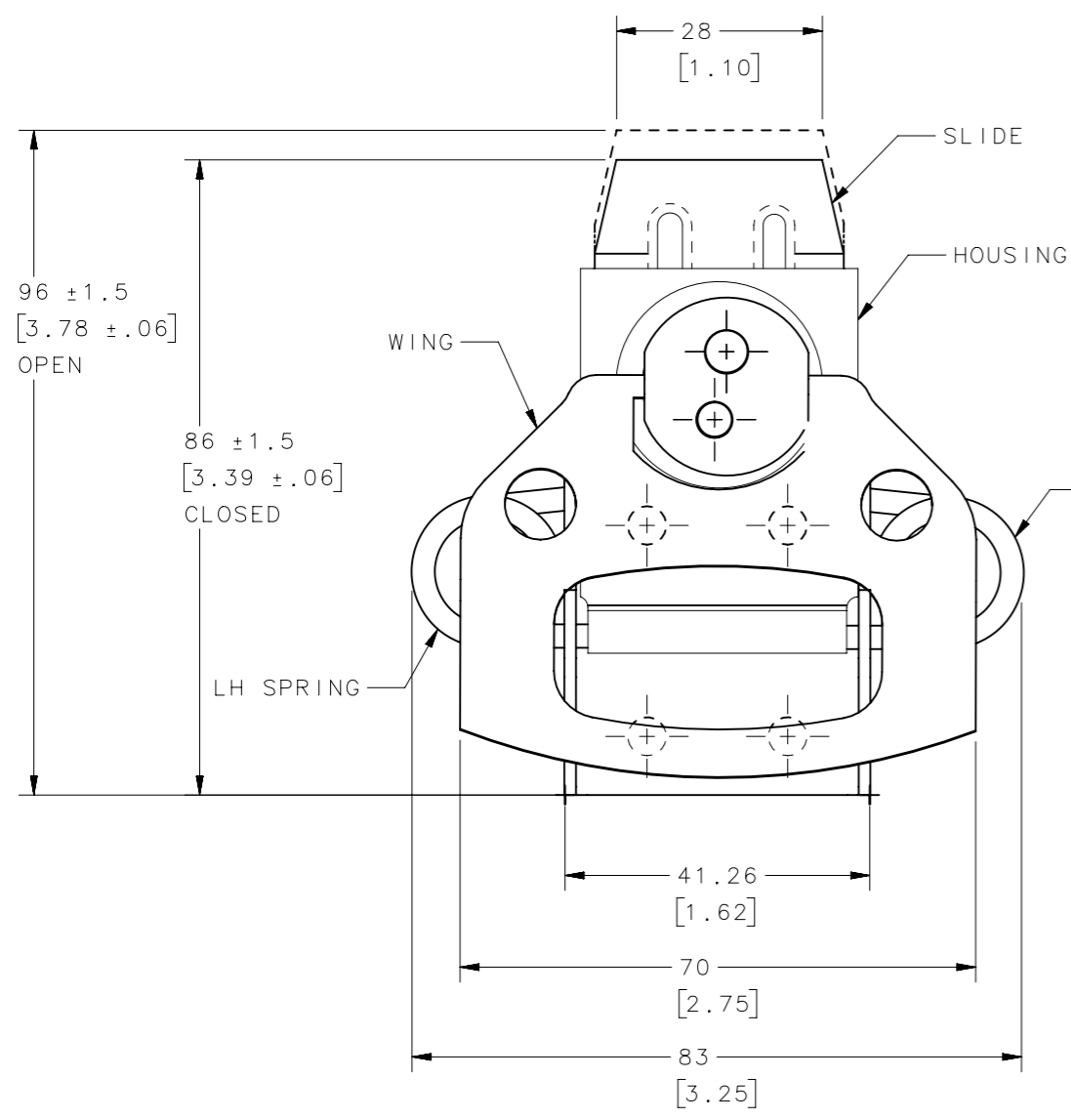


| REVISION HISTORY | | | |
|------------------|-----------|---------|-----------------|
| REV | DATE | BY | DESCRIPTION |
| A | 16JAN2016 | DKM/YGC | PRN: P2017-0133 |



SCALE 1:2



PANEL PREPARATION
SCALE 1:2

NOTES:
 1. MATERIAL:
 HOUSING, SLIDE, WING, CAM LOWER AND ANCHOR PLATE: STEEL
 SPRING LH, SPRING RH, CAP, RIVET CAM AND CAM UPPER: STAINLESS STEEL
 2. FINISH:
 HOUSING, SLIDE, WING, SPRING LH AND SPRING RH: NATURAL
 CAP, RIVET CAM AND CAM UPPER: PASSIVATION
 CAM LOWER AND ANCHOR PLATE: ZINC PLATING.

| | | | |
|--|---|--|----------------|
| K5-2814-07 | SPRING LOADED #2-10 LINK LOCK | SEE NOTE 1 | SEE NOTE 2 |
| ASSEMBLY NUMBER | ASSEMBLY NAME | MATERIAL | FINISH |
| | THIRD ANGLE PROJECTION | CONNECT • CREATE • INNOVATE | |
| | MILLIMETERS [IN] | | |
| SURFACE AREA | TOLERANCES UNLESS OTHERWISE NOTED | DESCRIPTION | |
| VOLUME | ALL DIMENSIONS WITHOUT TOLERANCES ARE FOR REFERENCE ONLY. | LOW PROFILE, SPRING LOADED #2-10 LINK LOCK | |
| PROPRIETARY ITEM | PER ASME Y14.5M-1994 | SIZE A3 | SYSTEM NX |
| EXCEPT FOR USES EXPRESSLY GRANTED IN WRITING, INFORMATION DISCLOSED HEREON IS CONFIDENTIAL AND ALL RIGHTS, PATENT AND OTHERWISE, ARE RESERVED BY SOUTHCO, INC. | | DWG NO. J-K5-2814 | |
| | | DRAWN BY DKM/YGC | DATE 16JAN2017 |
| | | SCALE 1:1 | SHEET 1 OF 1 |