

**southco®**

PROPRIETARY ITEM - EXCEPT FOR USES EXPRESSLY GRANTED IN WRITING INFORMATION DISCLOSED HEREON IS CONFIDENTIAL AND ALL RIGHTS PATENT AND OTHERWISE ARE RESERVED BY SOUTHCO, INC.

KEEPER

DATE	DRAWN	CHKD	SCALE	DRAWING NUMBER
04MAY2005	JWJ		2:1	J-M1-519-4

REV	DATE	DRAWN/CHKD	DESCRIPTION	PART NUMBER	MATERIAL	FINISH
1	16JUN2005	JWJ	ADDED INSTALLATION	M1-519-4	STAINLESS STEEL	PASSIVATED

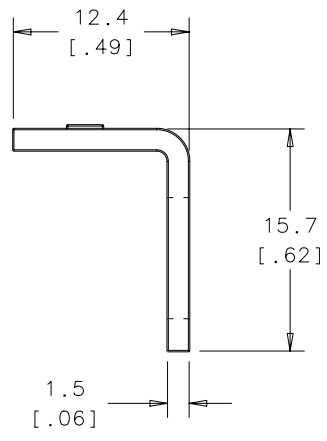
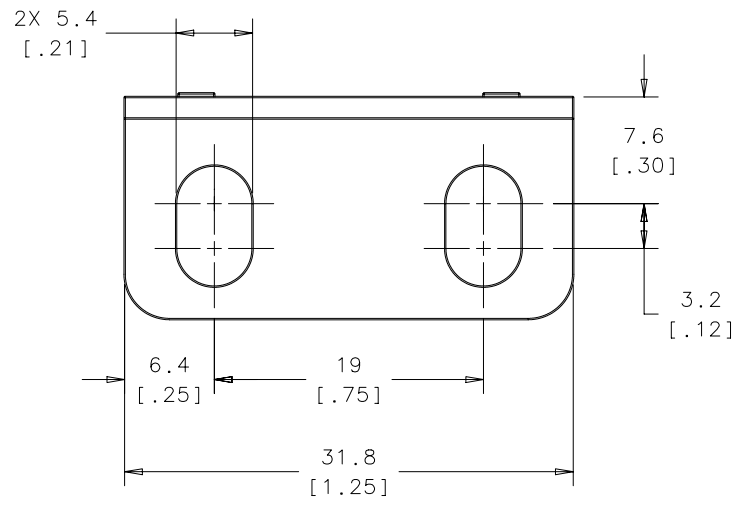
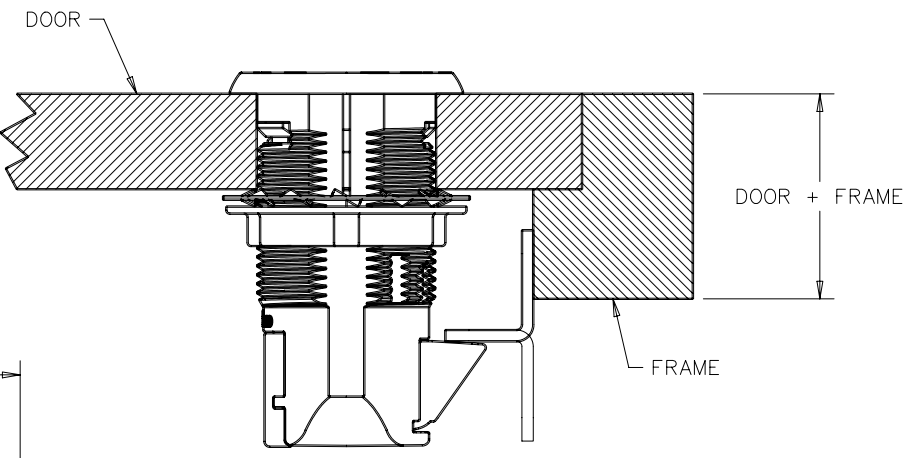
ALL DIMENSIONS WITHOUT TOLERANCES ARE FOR REFERENCE ONLY.

THIRD ANGLE PROJECTION

A PAPER SIZE

INSTALLATION NOTES:

1. USE M5 OR #10 SCREWS TO MOUNT (NOT SUPPLIED)
2. DOOR PLUS FRAME THICKNESS MUST EQUAL LATCH GRIP - 1.2 [ .05 ] OR GREATER TO MOUNT KEEPER WITHOUT ADDITIONAL PARTS



MILLIMETERS [ INCHES ]

MILLIMETERS [ INCHES ]