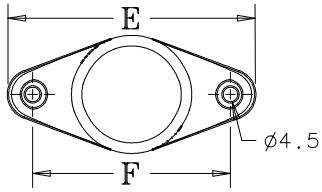
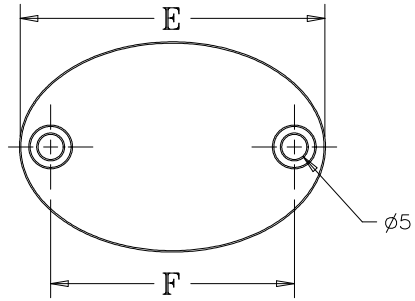
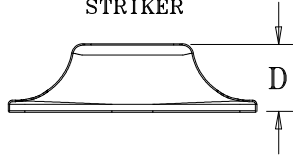




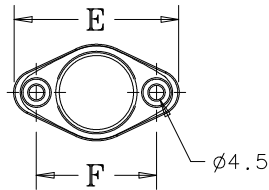
REVISION HISTORY			
REV	DATE	BY	DESCRIPTION
D	26JUN2017	CMS/MGG	PRN: P2017-1533
E	02OCT2019	CMS/MGG	PRN: P2019-2393



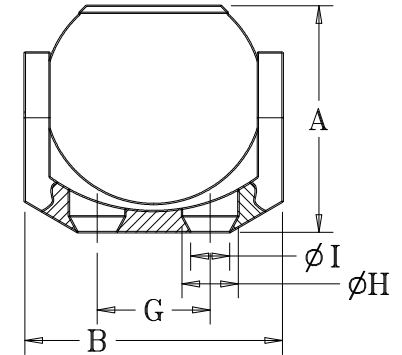
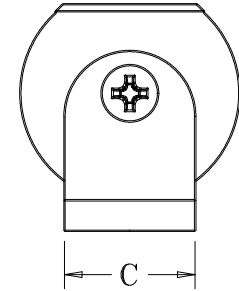
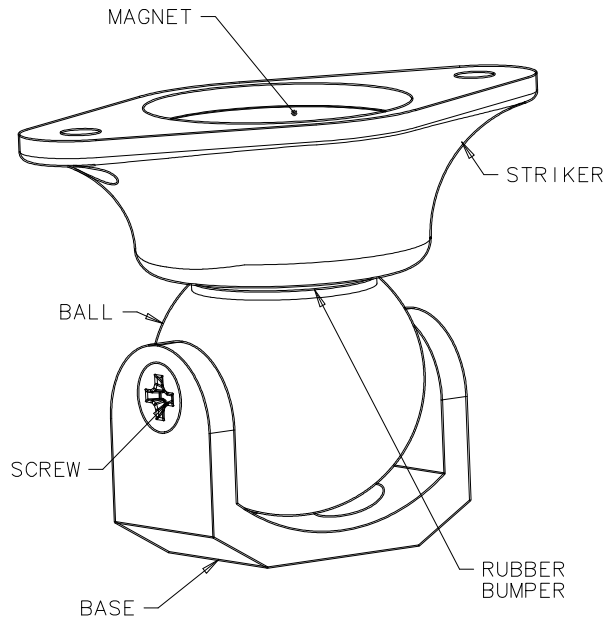
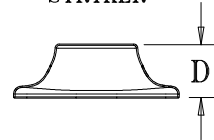
LARGE PROUD STRIKER



FLUSH STRIKER



SMALL PROUD STRIKER



ASSEMBLY	M5-70-053-8	20x15	FLUSH	20x10	33[1.29]	37.5[1.48]	19[.75]	14[.55]	50[1.97]	38[1.5]	16[.63]	8[.31]	5.5[.22]	3.8Kgs
ASSEMBLY	M5-70-051-8	20x15	PROUD	20x10	33[1.29]	37.5[1.48]	19[.75]	15[.59]	47[1.85]	34.5[1.36]	16[.63]	8[.31]	5.5[.22]	2.5-3.5Kgs
ASSEMBLY	M5-70-052-8	20x15	PROUD	30x15	33[1.29]	37.5[1.48]	19[.75]	19[.75]	70[2.76]	56[2.2]	16[.63]	8[.31]	5.5[.22]	5.4Kgs
ASSEMBLY	M5-70-054-8	20x15	FLUSH	30x15	33[1.29]	37.5[1.48]	19[.75]	18.5[.73]	57.5[2.26]	46[1.81]	16[.63]	8[.31]	5.5[.22]	5.4Kgs
ASSEMBLY	M5-70-072-8	30x15	PROUD	30x15	46[1.81]	50[1.97]	27[1.06]	19[.75]	70[2.76]	56[2.2]	24[.94]	10[.39]	5.5[.22]	10.6Kgs
			BALL	STRIKE										
ITEM	PART NUMBER	MAGNET SIZE			A	B	C	D	E	F	G	H	I	HOLDING POWER

NOTES:

- A. MATERIAL AND FINISH:
 - STRIKER, BASE, BALL: CF-8M STAINLESS STEEL (NOMINAL CAST EQUIVALENT OF 316 STAINLESS STEEL), POLISHED.
 - RUBBER BUMPER: BUNA, BLACK
 - SCREWS: 304 STAINLESS STEEL, PASSIVATED
 - MAGNET:

THIRD ANGLE PROJECTION

MILLIMETERS [INCH]

ALL DIMENSIONS WITHOUT TOLERANCES ARE FOR REFERENCE ONLY.

PROPRIETARY ITEM
 EXCEPT FOR USES EXPRESSLY GRANTED IN WRITING, INFORMATION DISCLOSED HEREON IS CONFIDENTIAL AND ALL RIGHTS, PATENT AND OTHERWISE, ARE RESERVED BY SOUTHCO, INC.

PER ASME Y14.5M-1994

southco[®]
 CONNECT · CREATE · INNOVATE

TITLE
 MAGNETIC DOOR AND WINDOW HOLDER
 STAINLESS STEEL

SIZE: A4 SYSTEM: IDEAS DWG NO.: J-M5-70-051

DRAWN BY: VMV/VGV DATE: 05OCT2007 SCALE: 1:1 SHEET: 1 OF 1

