

# southco®

PROPRIETARY ITEM - EXCEPT FOR USES EXPRESSLY GRANTED IN WRITING INFORMATION DISCLOSED HEREON IS CONFIDENTIAL AND ALL RIGHTS PATENT AND OTHERWISE ARE RESERVED BY SOUTHCO, INC.

## No. 57 SPRING LATCH FLUSH HEAD, RIVET TYPE, SMOOTH SPRING

DATE	DRAWN	CHKD	SCALE	DRAWING NUMBER
8-20-63	JB		1:1	J-57-10-101-10

REV	DATE	DRAWN/CHKD	DESCRIPTION	ITEM	PART NUMBER	MATERIAL	FINISH
J	5APR82	AJF	PRN: S-1-01	ASSEMBLY	57-10-101-10		
K	16DEC94	MPF	PRN: 57-147	STUD		LOW CARBON STEEL	SEE NOTE A
L	11NOV2003	AAB/AJH	PRN: P2003-1028	SPRING		302 STAINLESS STEEL	PASSIVATE
				HOUSING		1010 STEEL	GALVANIZED

**INCHES**

ALL DIMENSIONS WITHOUT TOLERANCES ARE FOR REFERENCE ONLY.

THIRD ANGLE PROJECTION

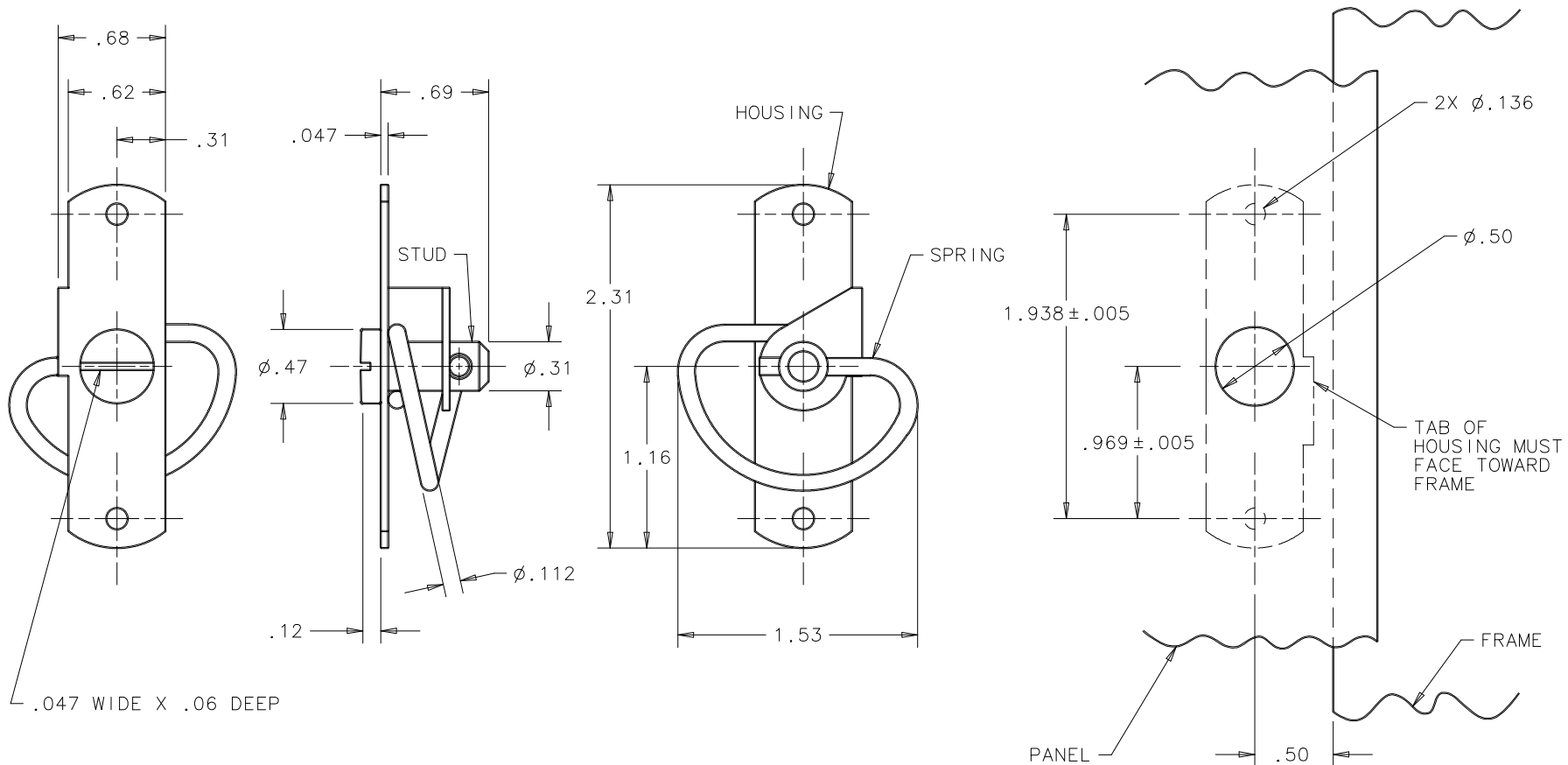
A  
PAPER  
SIZE

**NOTES:**

A. ZINC ALLOY PLATE, BRIGHT CHROMATE PLUS SEALER

### PANEL PREPARATION

(ALLOWABLE FRAME THICKNESS: .06 MIN - .38 MAX)



.047 WIDE X .06 DEEP