



No. 57 SPRING LATCH
 PLASTIC KNOB STYLE, RIVET TYPE, SMOOTH SPRING

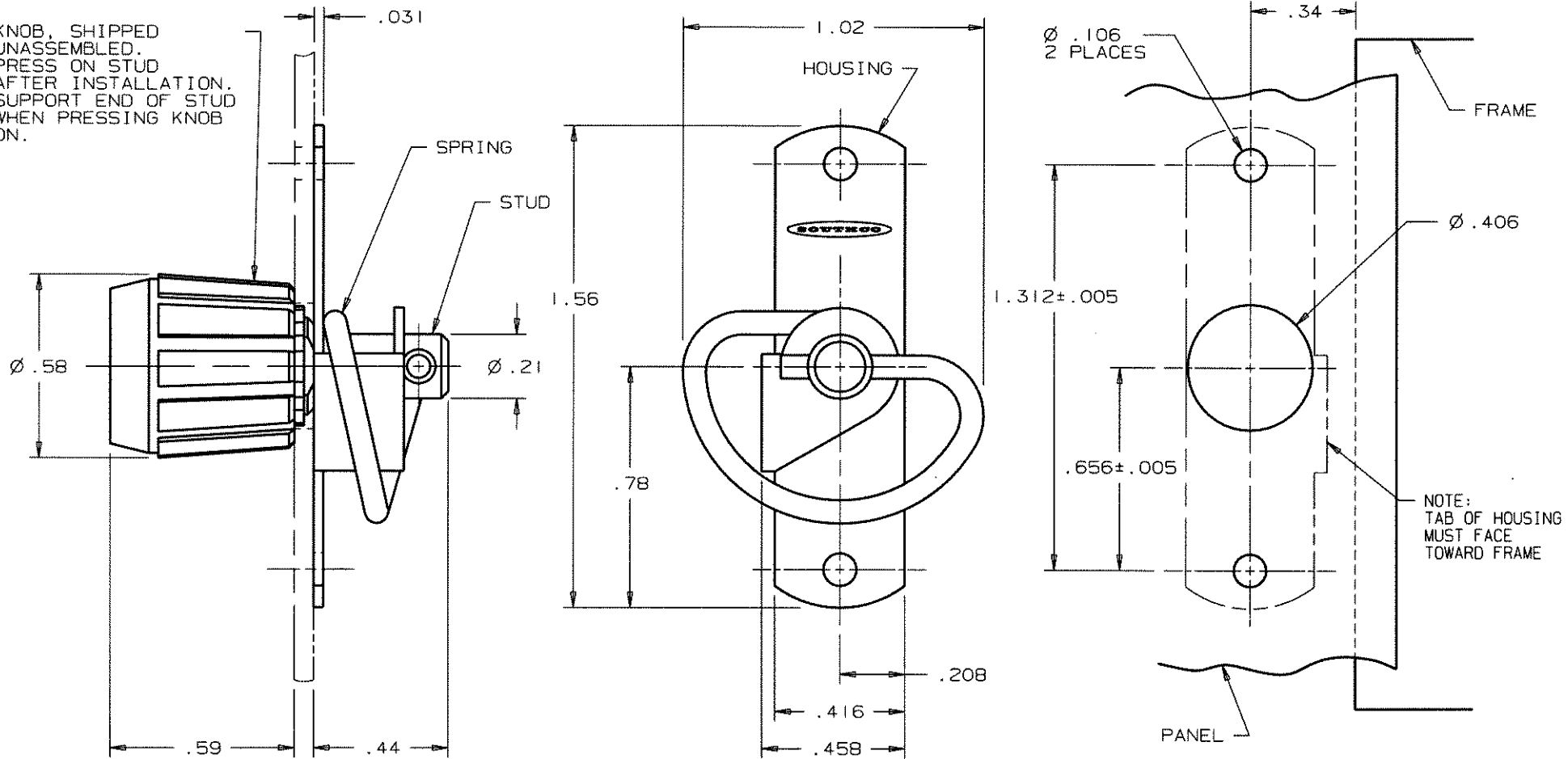
DATE	DRAWN	CHKD	SCALE	DRAWING NUMBER
12-16-75	RHB		2 : 1	J-57-30-401-10

REV.	DATE	BY-CHKD	REVISIONS	ITEM	COMPONENT	PART No.	MATERIAL	FINISH
D	4-5-82	AJF	PRN: S-1-01	ASSEMBLY		57-30-401-10		
E	1-11-91	JMB	PRN: 57-105	SUB-ASS'Y		57-30-501-10		
F	16DEC94	MPF	PRN: 57-147		STUD		LOW CARBON STEEL	DACROTIZED™
					HOUSING		1010 STEEL	ZINC PL. BRIGHT
					SPRING		TYPE 302 STAINLESS STEEL	PASSIVATED
				KNOB		57-16-301-41	NYLON	BLACK

NOTES:

- 1) ALLOWABLE FRAME THICKNESS .05 MIN, .25 MAX
 MAXIMUM PANEL THICKNESS = .19

KNOB, SHIPPED UNASSEMBLED. PRESS ON STUD AFTER INSTALLATION. SUPPORT END OF STUD WHEN PRESSING KNOB ON.



TM-METAL COATINGS INTERNATIONAL, INC.

PROPRIETARY ITEM - EXCEPT FOR USES EXPRESSLY GRANTED IN WRITING INFORMATION DISCLOSED HEREON IS CONFIDENTIAL AND ALL RIGHTS PATENT AND OTHERWISE ARE RESERVED BY SOUTHCO, INC.

DRAWING NUMBER
 J-57-30-401-10