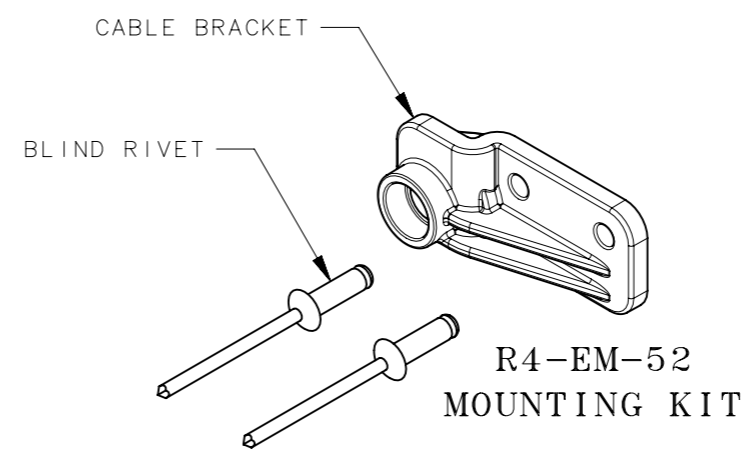
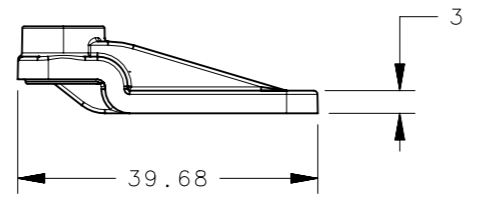
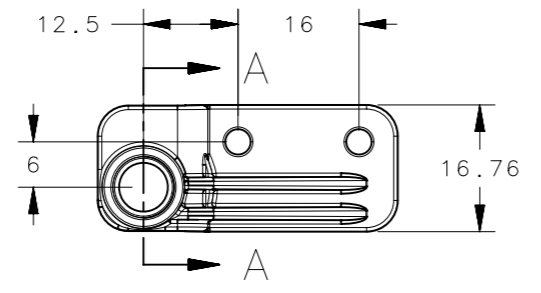
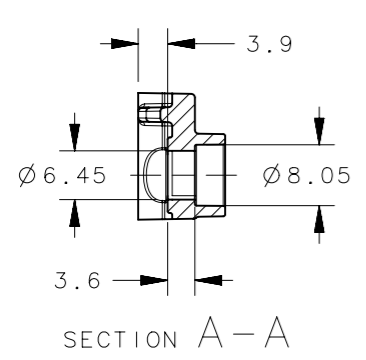
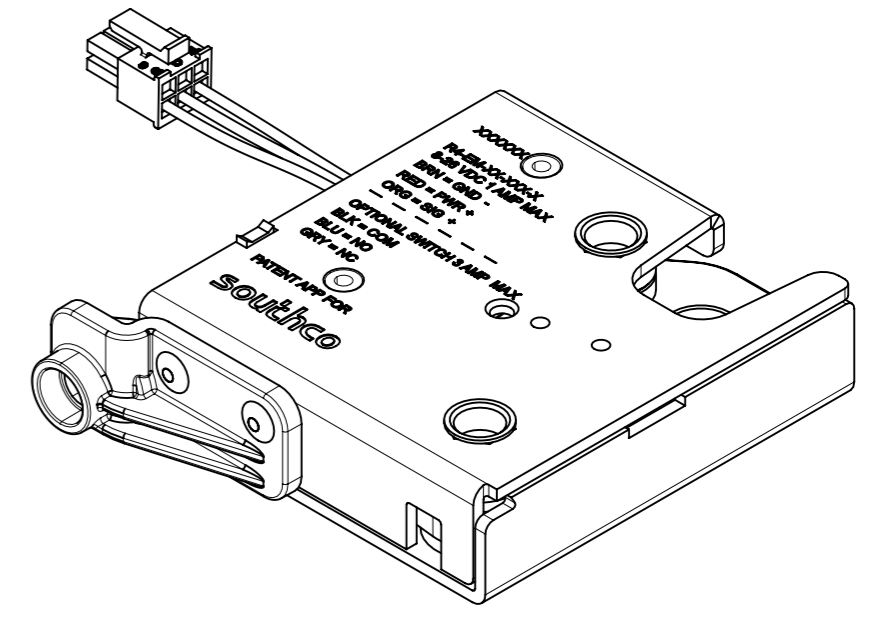
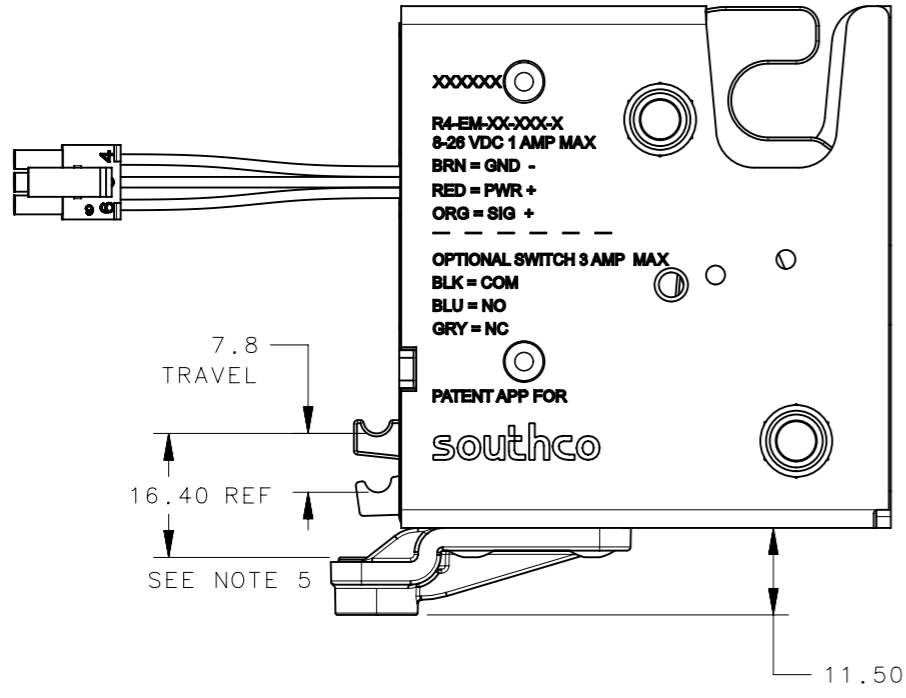


REVISION HISTORY			
REV	DATE	BY	DESCRIPTION
E	18AUG2016	CCH/GGG	PRN: P2016-1922



- NOTES:
- THE R4-EM-52 BRACKET KIT ALLOWS A MECHANICAL OVERRIDE CABLE SYSTEM TO BE ATTACHED TO THE R4-EM FAMILY OF LATCHES. KIT CAN BE USED WITH:
 - R4-EM-1X-XXX
 - R4-EM-2X-XXX
 - R4-EM-5X-XXX
 - R4-EM-7X-XXX
 KIT CONTAINS ONE BRACKET AND TWO RIVETS IN A BAG.
 - BRACKET IS INTENDED FOR USE WITH CABLES HAVING $\varnothing 6.35\text{MM}$ ($\varnothing .25"$) SNAP RING CONDUIT FITTINGS.
 - CONTACT SOUTHCO FOR AVAILABLE CABLE OPTIONS.
 - INSTALLATION:
 - LOCATE THE TWO FREE $\varnothing 3.28\text{MM}$ HOLES SPACED 16 MM APART AT THE BOTTOM OF THE LATCH
 - MATE THE FLAT FACE OF THE BRACKET WITH WITH THE FLAT SURFACE AT THE BOTTOM OF THE LATCH AND ALIGN THE HOLES IN THE BRACKET WITH THE HOLES IN THE LATCH AS SHOWN.
 - INSERT THE PROVIDED $\varnothing 1/8"$ BLIND POP RIVETS INTO EACH HOLE.
 - WHILE HOLDING THE BRACKET IN THE CORRECT POSITION INSTALL THE RIVETS USING A BLIND RIVET TOOL WITH A $1/8"$ NOSEPIECE.
 - FOR SOUTHCO TYPE 5 CABLE ASSEMBLIES:
 - FOR 1/2 SERIES, THE VARIABLE TLC = 14mm
 - FOR 5/7 SERIES, THE VARIABLE TLC = 15.5mm
 SEE J-AC-C DRAWING FOR DETAILS.

PART NUMBER	QTY	TYPE OF COMPONENT	MATERIAL	FINISH
-	2	BLIND RIVET	STAINLESS STEEL	NATURAL
-	1	CABLE BRACKET	GLASS FILLED NYLON	BLACK
R4-EM-52	-	ASSEMBLY	-	-

THIRD ANGLE PROJECTION		 CONNECT • CREATE • INNOVATE	
MILLIMETERS [IN]			
TOLERANCES UNLESS OTHERWISE NOTED		DESCRIPTION	
SURFACE AREA 3218.17mm ²		ELECTRONIC ACCESS SOLUTION R4-EM MOUNTING KIT	
VOLUME 2792.04mm ³		SIZE A3	SYSTEM NX
PROPRIETARY ITEM EXCEPT FOR USES EXPRESSLY GRANTED IN WRITING, INFORMATION DISCLOSED HEREON IS CONFIDENTIAL AND ALL RIGHTS, PATENT AND OTHERWISE, ARE RESERVED BY SOUTHCO, INC.		DWG NO. J-R4-EM-52	DATE 23SEP2009
PER ASME Y14.5M-1994		DRAWN BY GGG	SCALE 1:1
		SHEET 1 OF 1	