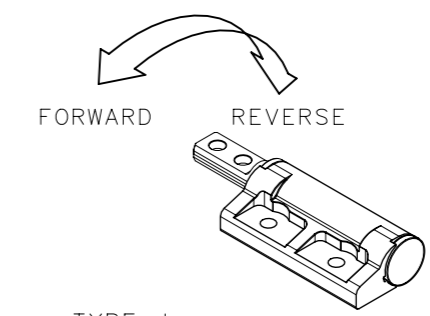
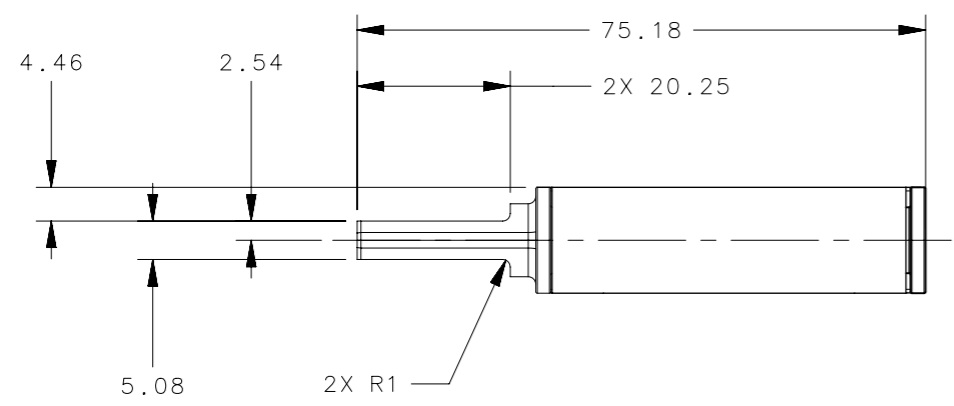
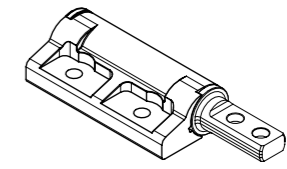


REVISION HISTORY			
REV	DATE	BY	DESCRIPTION
F	03DEC2018	RJV/MJS	PRN: P2018-2771

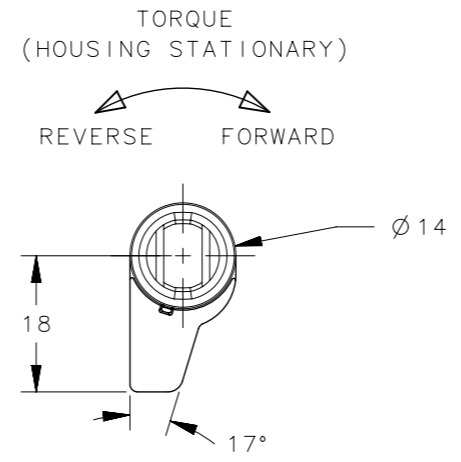


TYPE J
(SHOWN DIMENSIONED)

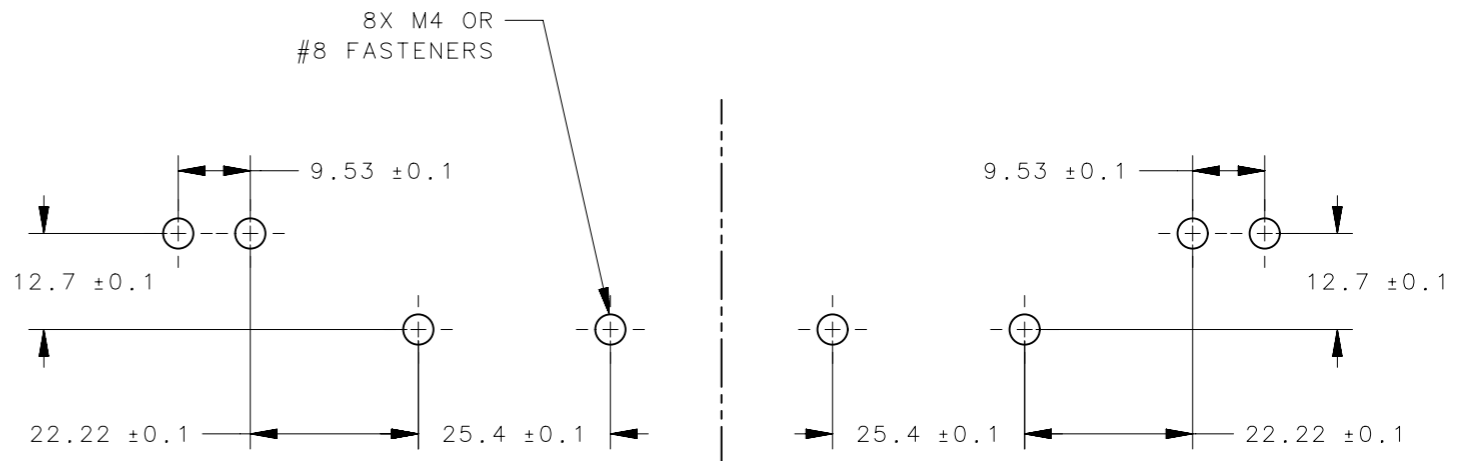


TYPE K

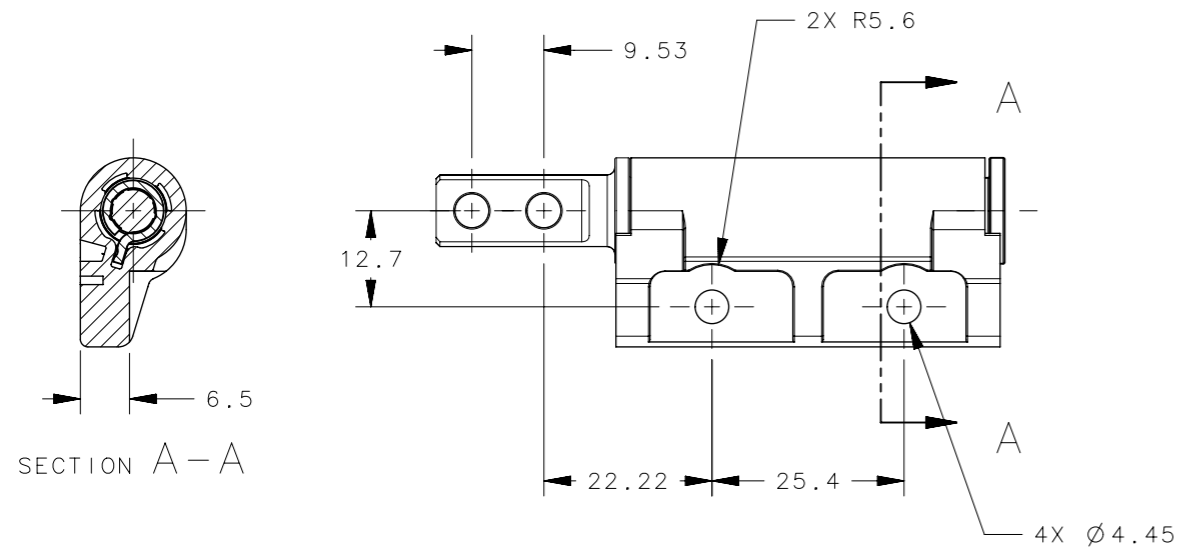
SCALE 1:2



TORQUE
(HOUSING STATIONARY)



PANEL PREPARATION



SECTION A-A

PART NUMBER		STATIC TORQUE	
TYPE J	TYPE K	FORWARD N*m (in-lbf)	REVERSE N*m (in-lbf)
ST-10E-120SJ-XX	ST-10E-120SK-XX	1.35 (12)	1.35 (12)
ST-10E-200SJ-XX	ST-10E-200SK-XX	2.26 (20)	2.26 (20)
ST-10E-280SJ-XX	ST-10E-280SK-XX	3.16 (28)	3.16 (28)
ST-10E-360SJ-XX	ST-10E-360SK-XX	4.06 (36)	4.06 (36)
ST-10E-200FJ-XX	ST-10E-200FK-XX	2.26 (20)	1.35 (12)
ST-10E-280FJ-XX	ST-10E-280FK-XX	3.16 (28)	1.89 (16.8)
ST-10E-360FJ-XX	ST-10E-360FK-XX	4.06 (36)	2.44 (21.6)
ST-10E-440FJ-XX	ST-10E-440FK-XX	4.97 (44)	2.93 (26)
ST-10E-200RJ-XX	ST-10E-200RK-XX	1.35 (12)	2.26 (20)
ST-10E-280RJ-XX	ST-10E-280RK-XX	1.89 (16.8)	3.16 (28)
ST-10E-360RJ-XX	ST-10E-360RK-XX	2.44 (21.6)	4.06 (36)
ST-10E-440RJ-XX	ST-10E-440RK-XX	2.93 (26)	4.97 (44)

TORQUE TOLERANCE ±20%

PART NUMBER	DESCRIPTION	FINISH
ST-10E-XXXXX-33	ASSEMBLY - "AS CAST"	NATURAL
ST-10E-XXXXX-50	ASSEMBLY - "COATED"	BLACK

NOTES:

- MATERIAL AND FINISH:
HOUSING AND END CAP - ZINC ALLOY
SHAFT AND TORQUE ELEMENTS - HARDENED STEEL
- INSTALL USING M4 SCREWS
- FOR PROPER FUNCTION, ASSEMBLY MUST INCLUDE
(1) TYPE "J" HINGE and (1) TYPE "K" HINGE
- DIMENSIONS INDICATE AS-BUILT CONDITION. ADAPTER TO
ADAPTER SPACING WILL SELF ADJUST DURING OPERATION.

THIRD ANGLE PROJECTION				
TOLERANCES UNLESS OTHERWISE NOTED		DESCRIPTION		
ALL DIMENSIONS WITHOUT TOLERANCES ARE FOR REFERENCE ONLY.		HINGE ASSEMBLY (TYPE J & TYPE K)		
PROPRIETARY ITEM	PER ASME Y14.5M-1994	SIZE A3	SYSTEM NX	DWG NO. J-ST-10E-J
EXCEPT FOR USES EXPRESSLY GRANTED IN WRITING, INFORMATION DISCLOSED HEREON IS CONFIDENTIAL AND ALL RIGHTS, PATENT AND OTHERWISE, ARE RESERVED BY SOUTHCO, INC.		DRAWN BY GEA	DATE 07APR2008	SCALE 1:1 SHEET 1 OF 1