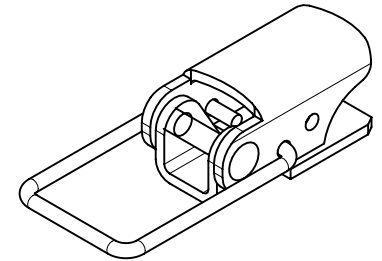
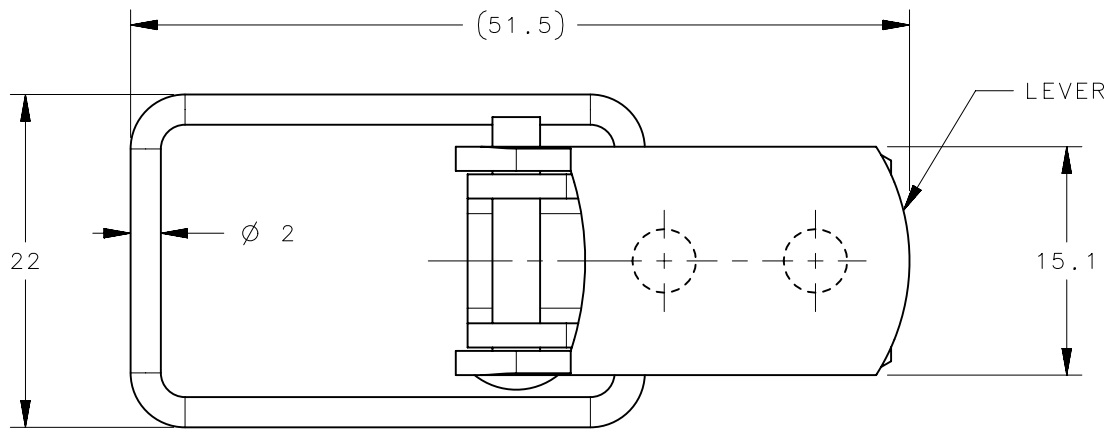
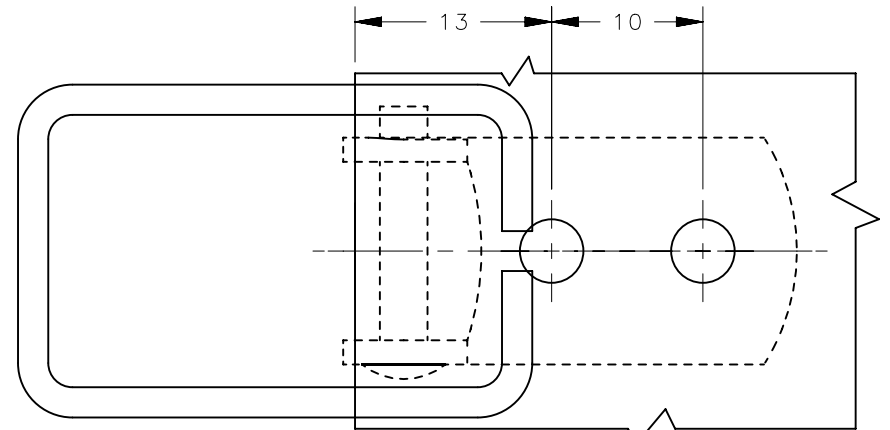
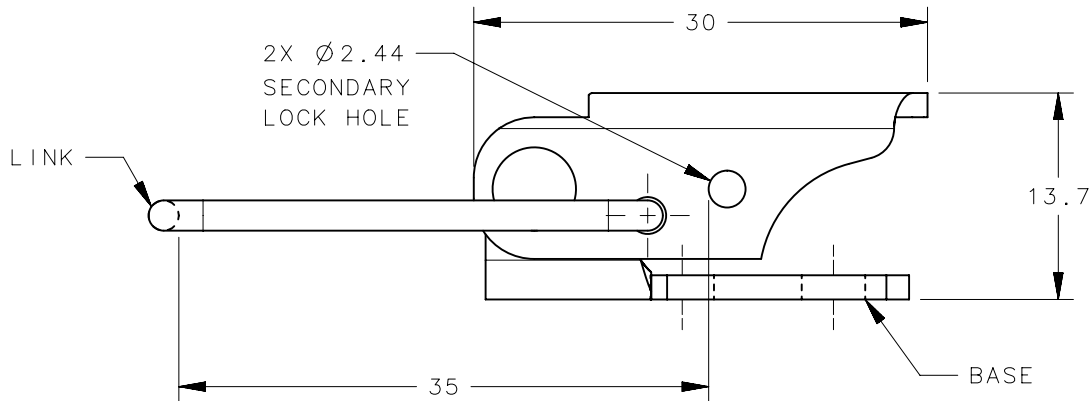


REVISION HISTORY			
REV	DATE	BY	DESCRIPTION
D	08SEP2012	MWC/YGC	PRN: P2012-1332



SCALE 1:1



PANEL PREPARATION

TL-20-201-07	-	-	-	-	CARBON STEEL/ZINC PLATE
TL-20-201-13	-	-	-	-	STEEL/ZINC PLATE
TL-20-201-52	-	-	-	-	STAINLESS STEEL/CLEAN
TL-20-201-24	-	-	-	-	STAINLESS STEEL/ELECTROPOLISH METALIC BRIGHT
PART NUMBER	LEVER NO.	BASE NO.	LINK NO.	RIVET NO.	MATERIAL/FINISH NO.

THIRD ANGLE PROJECTION		 CONNECT • CREATE • INNOVATE			
MILLIMETERS [IN]					
TOLERANCES UNLESS OTHERWISE NOTED		DESCRIPTION TL TOGGLE LATCH ASSEMBLY			
ALL DIMENSIONS WITHOUT TOLERANCES ARE FOR REFERENCE ONLY.		SIZE A4	SYSTEM NX	DWG NO. J-TL-20-201-XX	
PER ASME Y14.5M-1994		DRAWN BY ACH	DATE 23JUN2010	SCALE 2:1	SHEET 1 OF 1

PROPRIETARY ITEM
EXCEPT FOR USES EXPRESSLY GRANTED
IN WRITING, INFORMATION DISCLOSED
HEREON IS CONFIDENTIAL AND ALL
RIGHTS, PATENT AND OTHERWISE,
ARE RESERVED BY SOUTHCO, INC.