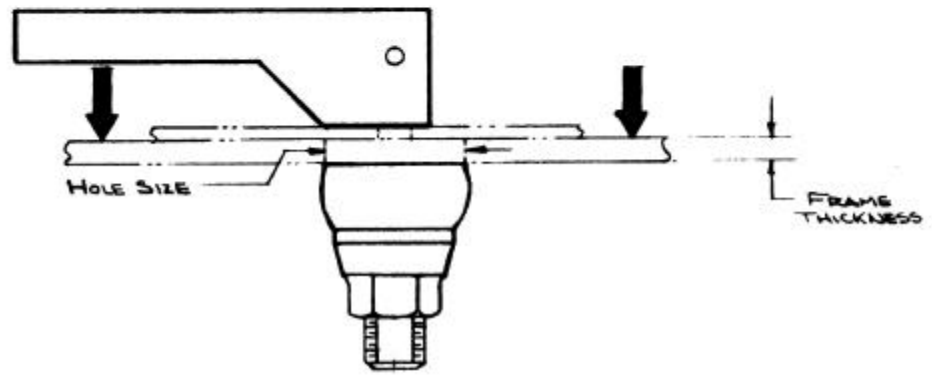


R.S.	DATE	APP
A		
B		
C		
D		

General Performance Guidelines

The information shown on this page was determined under one set of test conditions and is supplied as a general guide only, as conditions vary with each application. Strength data given is for failure of the product or for sufficient deformation to make the product inoperable. No safety factor has been applied. It is recommended that the user test the product for his particular application.



FASTENER YIELDED AT LOAD AS TABULATED BELOW AND IN DIRECTION OF ARROWS AS SHOWN.

SIZE	FRAME THICKNESS	HOLE SIZE	LOAD TO YIELD
081	1/8 MAX.	3/8	40 lb.
091	UP TO 1/8	7/32	100 lb.
	1/8 TO 3/16	23/64	75 lb.
101	3/16 TO 1/8	3/4	75 lb.
	1/8 TO 3/16	49/64	150 lb.
	3/16 TO 1/4	25/32	125 lb.
	1/4 AND UP	5/16	50 lb.